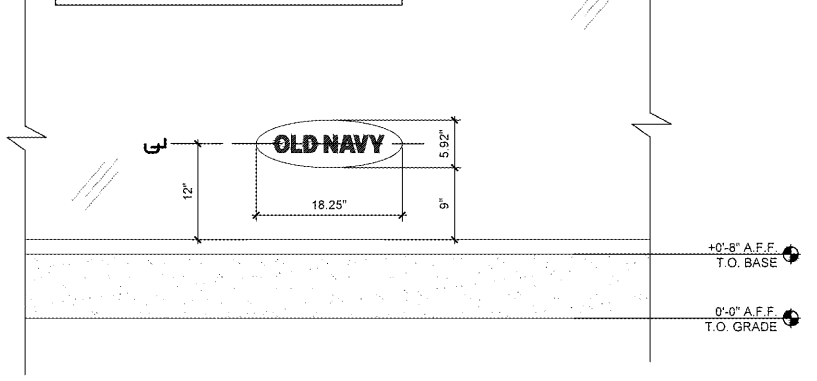
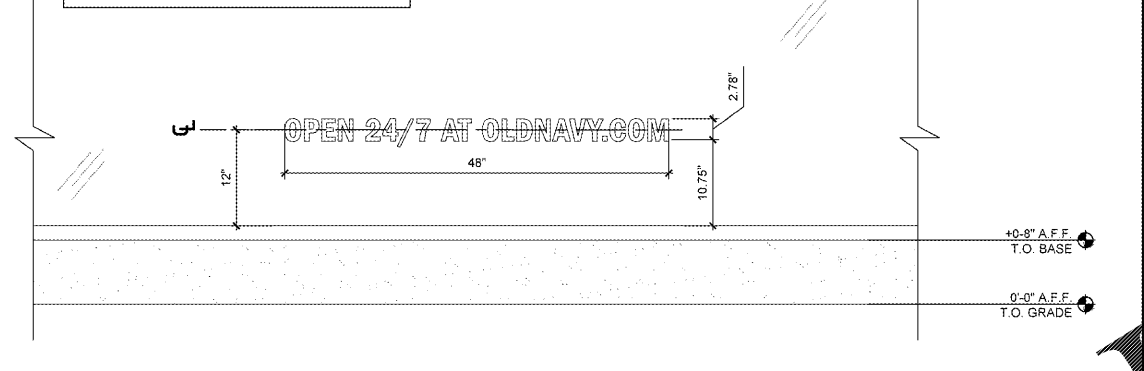


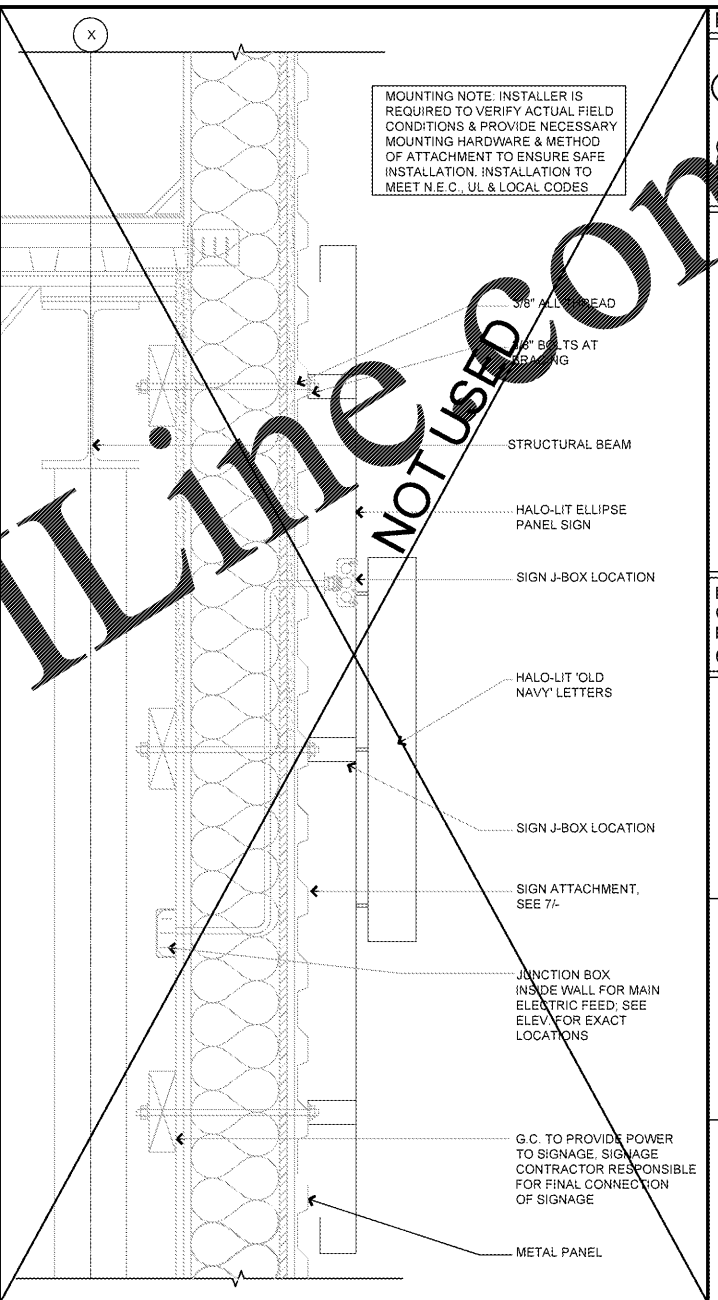
WINDOW GRAPHIC MOUNTING OPTIONS:
 - MAINTAIN MOUNTING HEIGHT TO BOTTOM MULLION, CURB OR SLAB (WHERE NO CURB EXISTS)
 - CENTER GRAPHIC HORIZONTALLY ON EACH PANEL



WINDOW GRAPHIC MOUNTING OPTIONS:
 - MAINTAIN MOUNTING HEIGHT TO BOTTOM MULLION, CURB OR SLAB (WHERE NO CURB EXISTS)
 - CENTER GRAPHIC HORIZONTALLY ON EACH PANEL



MOUNTING NOTE: INSTALLER IS REQUIRED TO VERIFY ACTUAL FIELD CONDITIONS & PROVIDE NECESSARY MOUNTING HARDWARE & METHOD OF ATTACHMENT TO ENSURE SAFE INSTALLATION. INSTALLATION TO MEET N.E.C., UL & LOCAL CODES



REMODEL STORE
OLD NAVY
 CAP, INC.
 STORE DEVELOPMENT
 FOLSOM STREET
 SAN FRANCISCO, CA 94105
 REPS. I.D. 00000131847
 STORE NUMBER: 5724
 STORE LOCATION: BUCKHEAD STATION
 1 BUCKHEAD LOOP NE
 ATLANTA, GA 30326

DESIGN TYPE: P3
 GENERATION: 18012
 PROTOTYPE DATE: 08/31/17
 OPENING: 2018

CONSULTANT INFO:
 PROFESSIONAL STAMP:

ARCHITECT INFO:
brr
 ARCHITECT OF RECORD:
 BOYD W. BAU
 6700 ANTIPOCH PLAZA
 SUITE 300
 MEMPHIS, TN 38124
 www.brrarch.com
 TEL: 913-263-9095
 FAX: 913-262-9044

ISSUE TYPE:
 BID/PERMIT 01/05/18

REVISIONS:

DRAWN BY: CAR
 A/E JOB NUMBER: 65013029
 TITLE SHEET:
 EXTERIOR SIGNAGE
 DETAILS

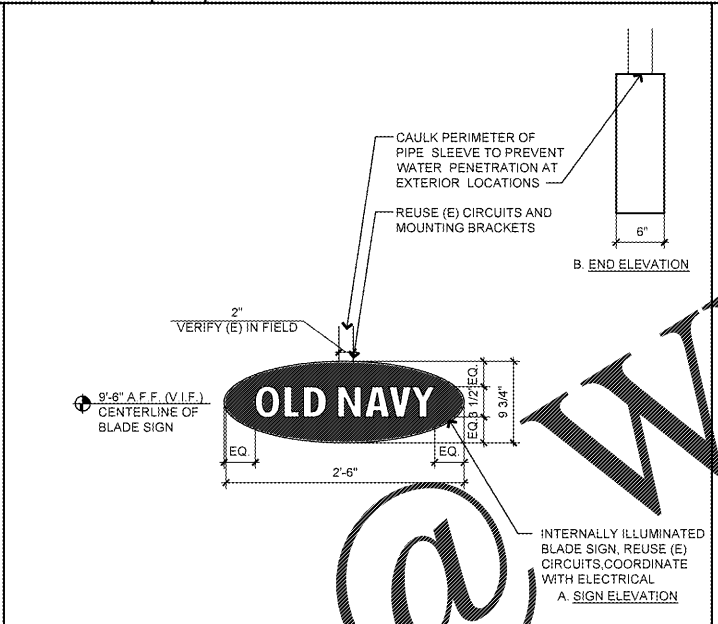
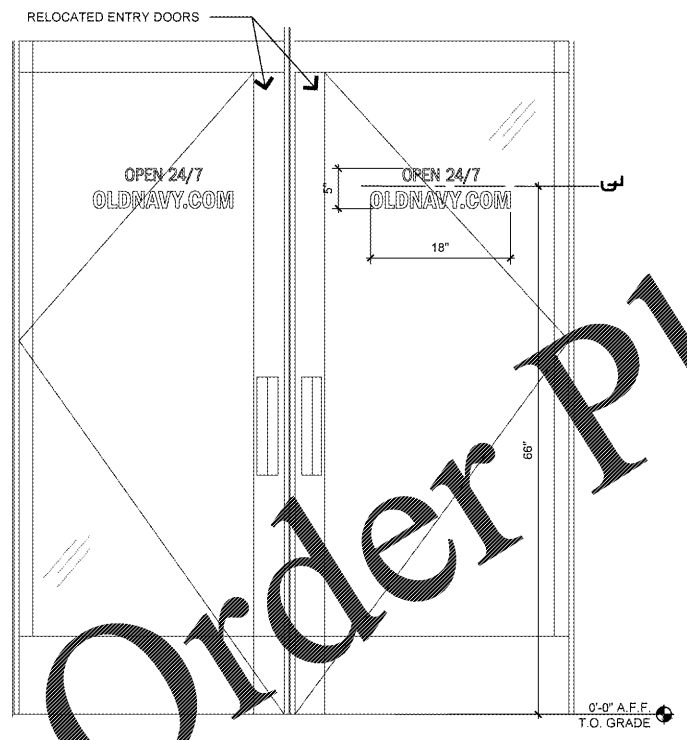
SHEET NUMBER:
A11-0

ELLIPSE VINYL WINDOW GRAPHIC
 SCALE: 1" = 1'-0"
 10

24 HR ON.COM VINYL WINDOW GRAPHIC
 SCALE: 1" = 1'-0"
 10

SECTION @ ELLIPSE SIGN
 SCALE: 1-1/2" = 1'-0"
 2

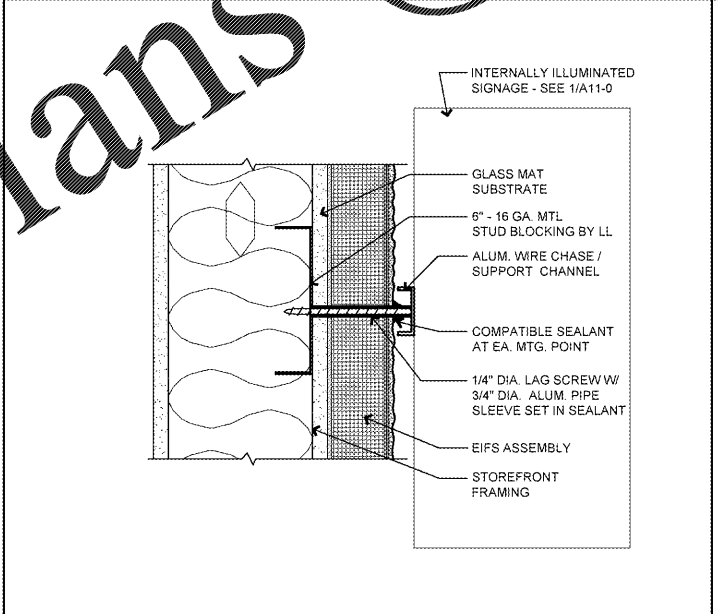
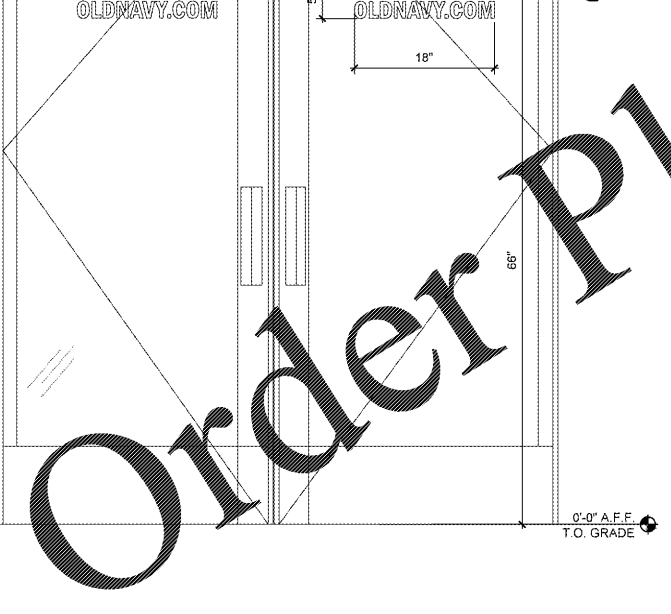
WINDOW GRAPHIC MOUNTING OPTIONS:
 - MOUNT CENTERLINE 66" ABOVE GRADE
 - CENTER GRAPHIC HORIZONTALLY ON EACH PANEL



OLD NAVY BLADE SIGN DTL
 SCALE: 1" = 1'-0"
 8

NOT USED
 SCALE: -
 5

SECTION @ ELLIPSE SIGN
 SCALE: 1-1/2" = 1'-0"
 2



SIGN MOUNTING @ EIFS
 SCALE: 3" = 1'-0"
 7

NOT USED
 SCALE: -
 4

NOTE:
 -SIGN CONTRACTOR TO SUBMIT ELEVATIONS & DIMENSIONED DRAWING SHOWING CORRECT LETTER FORM SPACING, LOCATION PLAN, AND SIGN ORDER SUMMARY SHEET TO OWNER. PREPARE SHOP DRAWINGS AS REQUIRED FOR LANDLORD APPROVAL AND PERMITTING.
 -SUBMIT COPY OF SIGNAGE SHOP DWGS TO ONSD FOR REVIEW & APPROVAL.
 -MOUNTING METHOD OF INDIVIDUAL LETTERS DEPENDS ON HEIGHT AND WEIGHT (TBD BY SIGN CONTRACTOR'S STRUCTURAL ENGINEERS)
 -INSTALLER IS REQUIRED TO VERIFY ACTUAL FIELD CONDITIONS AND PROVIDE NECESSARY MOUNTING HARDWARE AND METHOD OF ATTACHMENT TO ENSURE SAFE INSTALLATION. INSTALLATION TO MEET N.E.C., UL, AND LOCAL CODES.

| 'OLD NAVY' SIGNAGE SQUARE FOOTAGE MATRIX | | | |
|--|----------------------|------------------|--|
| CHANNEL LETTER HEIGHT | CHANNEL LETTER WIDTH | SIGN AREA SQ.FT. | |
| 1'-6" | 9'-6" (17') | 144 | |
| 2'-0" | 12'-6" (12') | 254 | |
| 2'-6" | 16'-6" (34') | 57 | |
| 4'-0" | 25'-5" | 101.6 | |
| 4'-6" | 28'-7" (14') | 129 | |
| 5'-0" | 31'-6" (12') | 159 | |
| 6'-0" | 36'-2" (14') | 235 | |

WIDTH VARIES - SEE TABLE

INTERNALLY ILLUMINATED LETTERS
 'OLD NAVY' FACE LIT CHANNEL LETTERS

NOT USED
 SCALE: N.T.S.
 1

24 HR ON.COM VINYL DOOR GRAPHIC
 SCALE: 1" = 1'-0"
 9

SIGN MOUNTING @ EIFS
 SCALE: 3" = 1'-0"
 7

NOT USED
 SCALE: -
 4

NOT USED
 SCALE: N.T.S.
 1