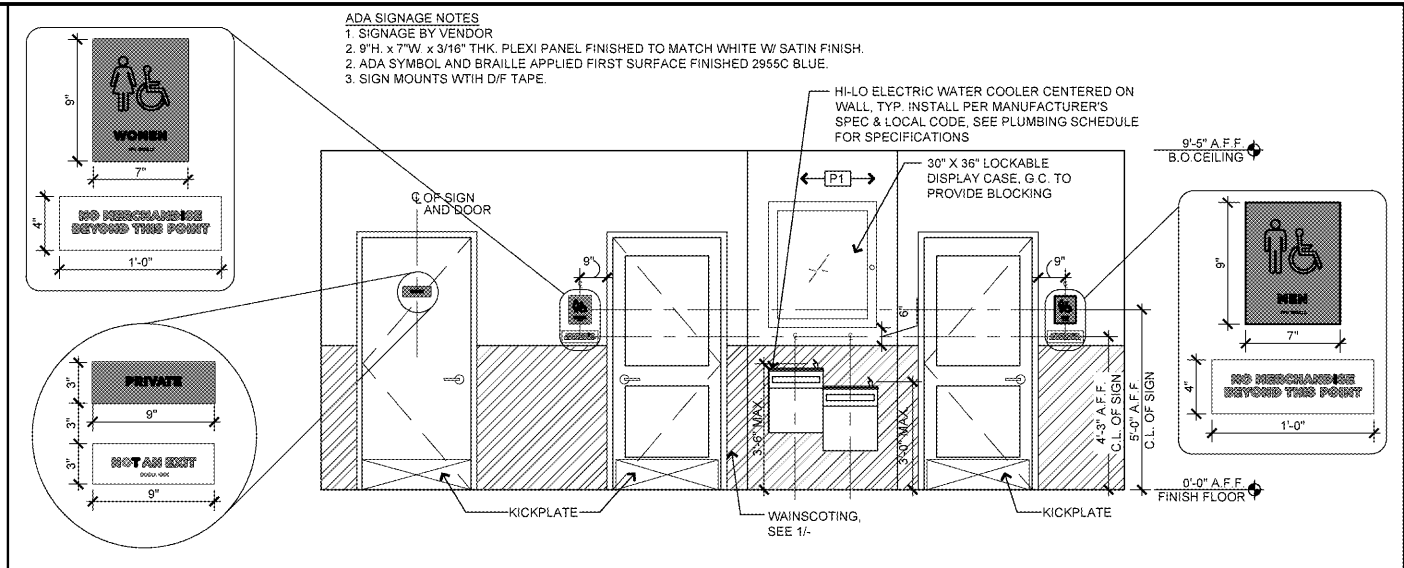
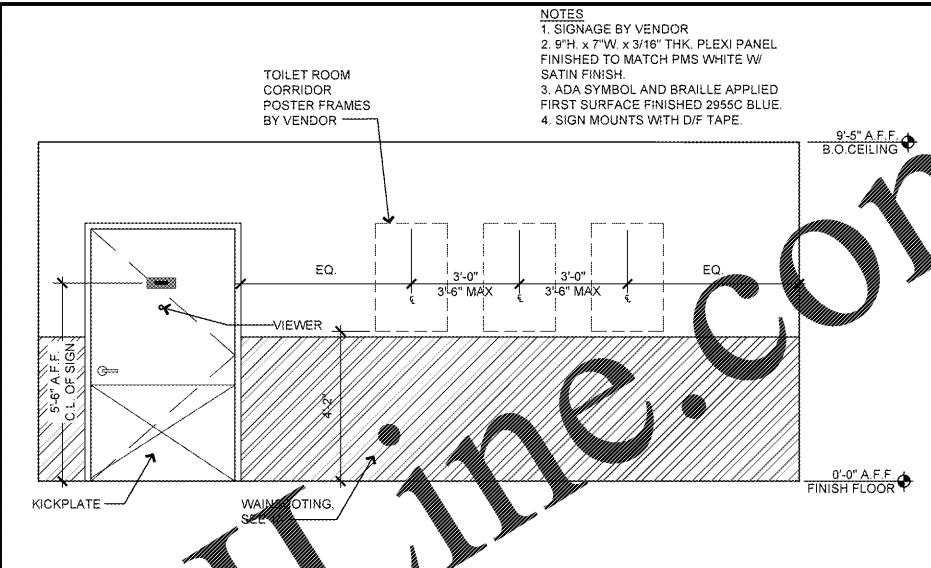


TOILET ROOM CORRIDOR ELEVATION
SCALE: 3/8" = 1'-0"
12



TOILET ROOM CORRIDOR ELEVATION
SCALE: 3/8" = 1'-0"
9



TOILET ROOM CORRIDOR ELEVATION
SCALE: 3/8" = 1'-0"
3

REMODEL STORE

OLD NAVY

CAP. INC.
STORE DEVELOPMENT
1717 FRANKLIN STREET
SAN FRANCISCO, CA 94105

REPS. I.D.: 00000131847

STORE NUMBER: 5724

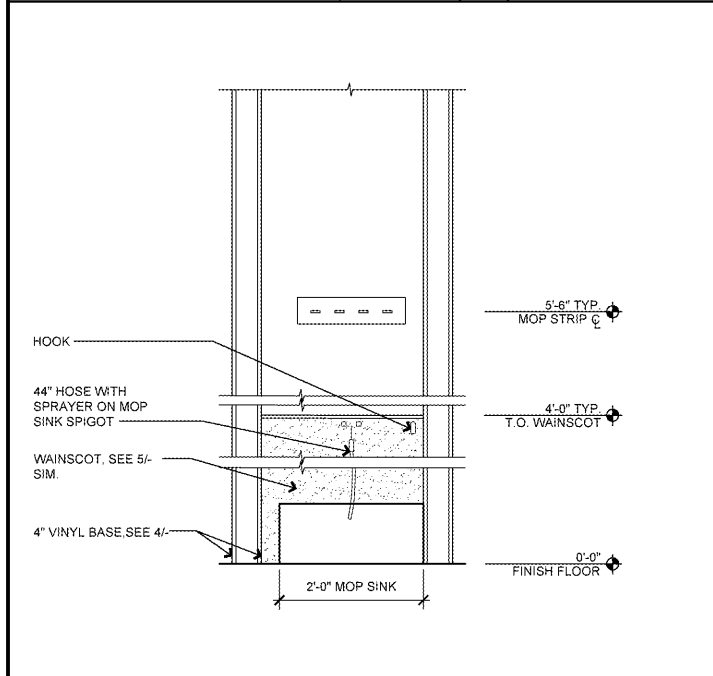
STORE LOCATION:
BUCKHEAD STATION
1 BUCKHEAD LOOP NE
ATLANTA, GA 30326

DESIGN TYPE: P3
GENERATION: 18012
PROTOTYPE DATE: 08/31/17
OPENING: 2018

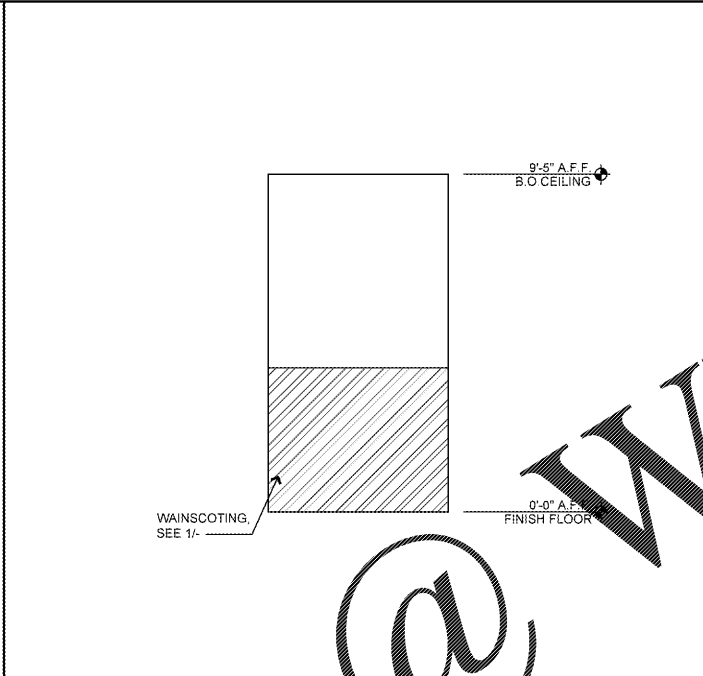
CONSULTANT INFO.

PROFESSIONAL STAMP:

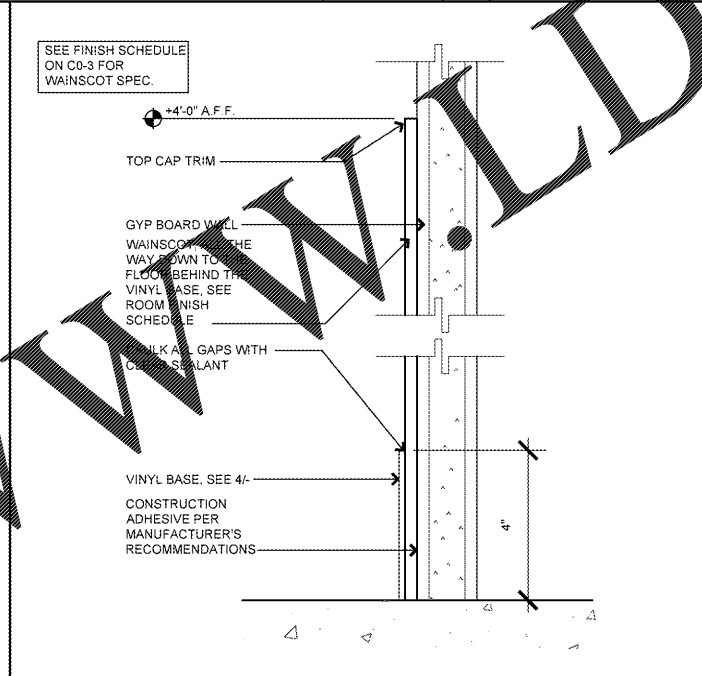
ARCHITECT INFO:
brr
ARCHITECT OF RECORD:
BOYD W. RAU
6700 ANTIPOCH PLAZA
SUITE 300
MEMPHIS, TN 38119
www.brrarch.com
TEL: 913-263-9095
FAX: 913-262-9044



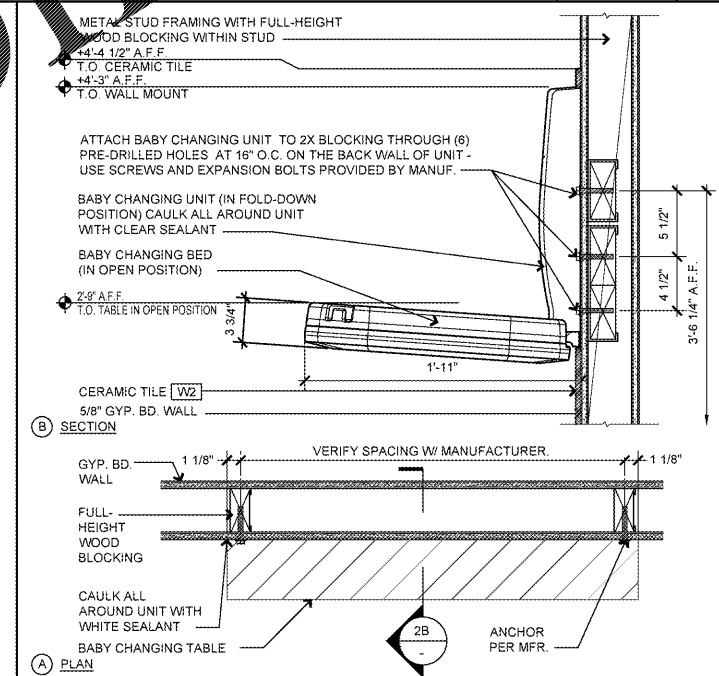
DETAIL @ MOP SINK
SCALE: 3/4" = 1'-0"
11



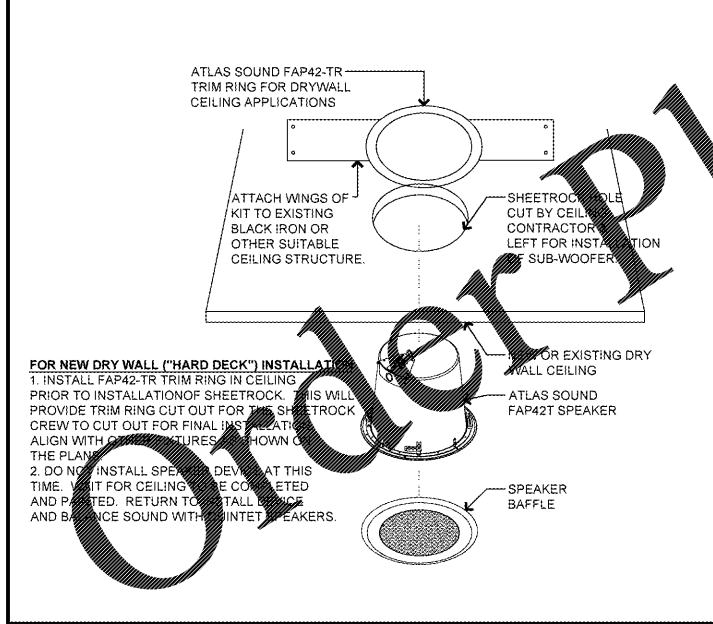
TOILET ROOM CORRIDOR ELEVATION
SCALE: 3/8" = 1'-0"
8



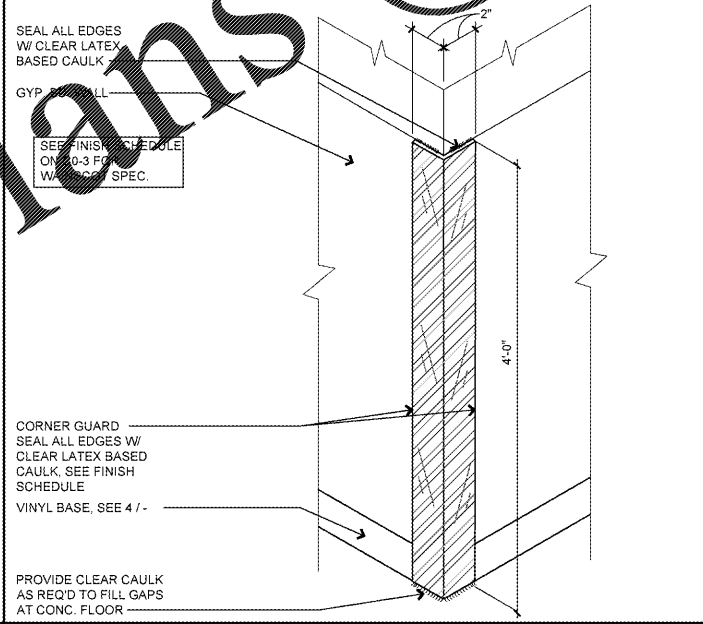
WAINSCOT (JANITOR CLOSET ONLY)
SCALE: 1'-0" = 1'-0"
5



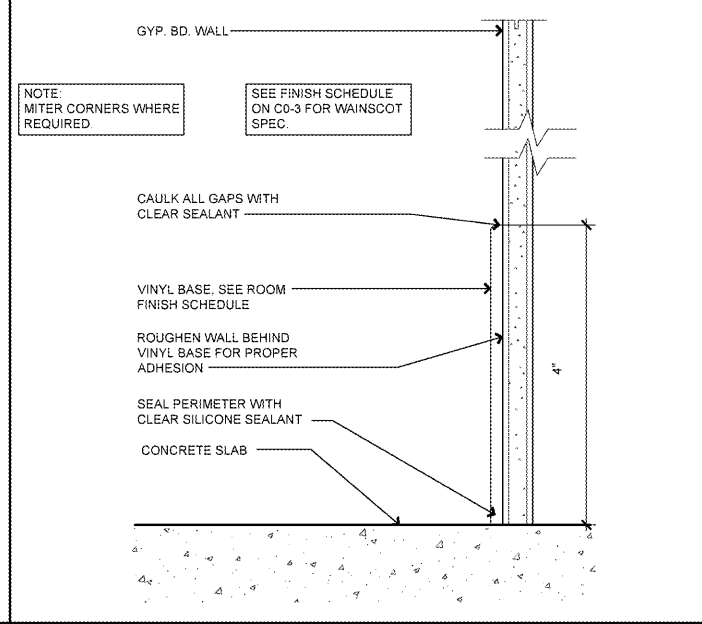
PLAN AND SECTION @ BABY CHANGING TABLE
SCALE: 1 1/2" = 1'-0"
2



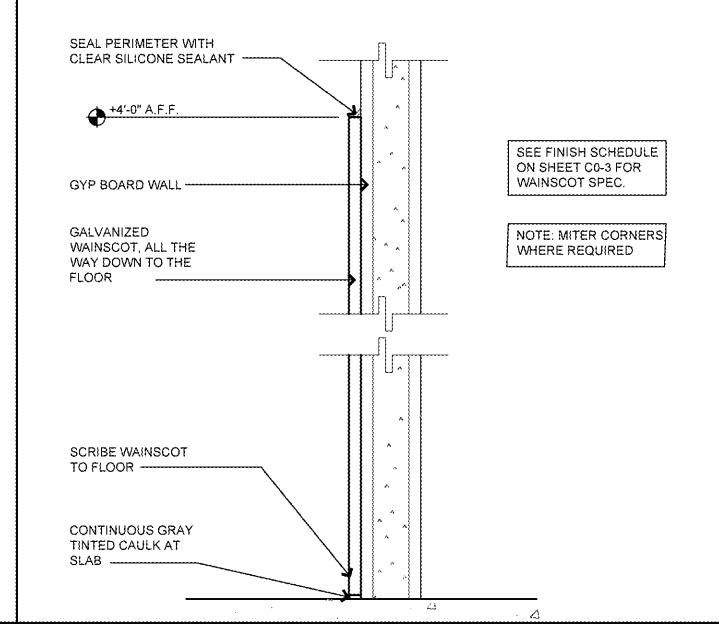
SPEAKER AT CEILING
SCALE: 1" = 1'-0"
10



GALVANIZED CORNER GUARD
SCALE: N.T.S.
7



VINYL BASE
SCALE: 6" = 1'-0"
4



GALVANIZED WAINSCOT
SCALE: 1'-0" = 1'-0"
1

ISSUE TYPE:

BID/PERMIT 01/05/18

REVISIONS:

DRAWN BY: CAR

A/E JOB NUMBER: 65013029

TITLE SHEET:
TOILET ROOM DETAILS

SHEET NUMBER:
A10-1