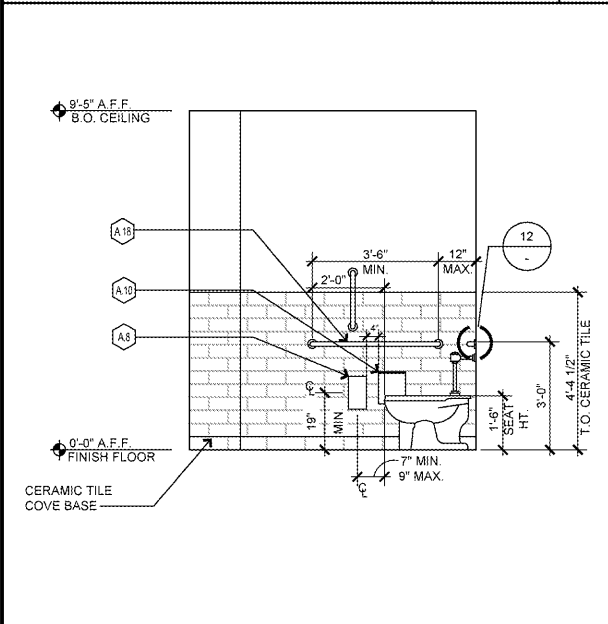
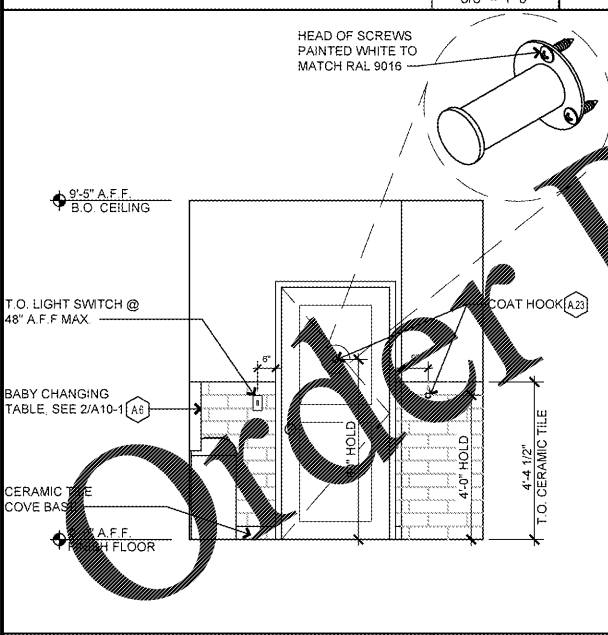


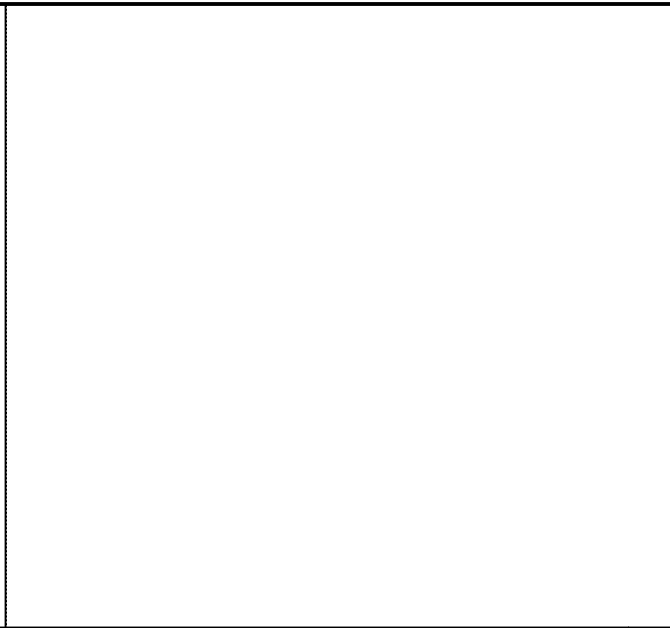
SECTION THROUGH GRAB BAR SCALE: 3" = 1'-0" 12 NOT USED



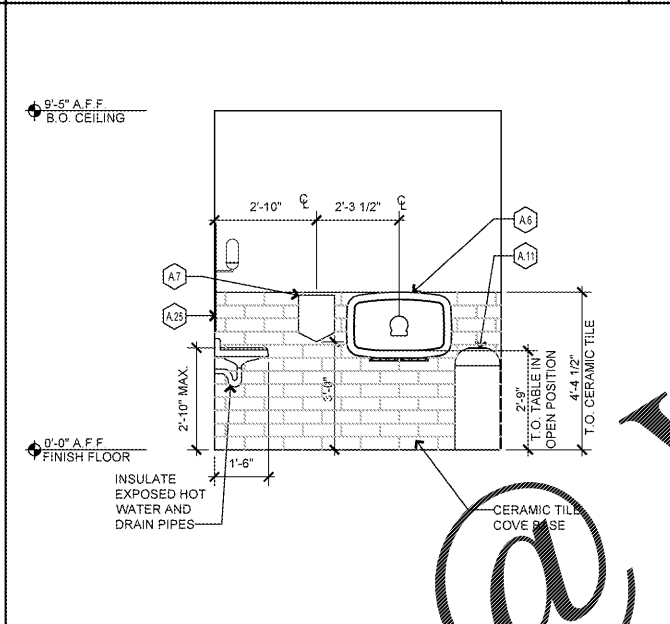
TOILET ROOM ELEVATION SCALE: 3/8" = 1'-0" 11 TOILET ROOM ELEVATION



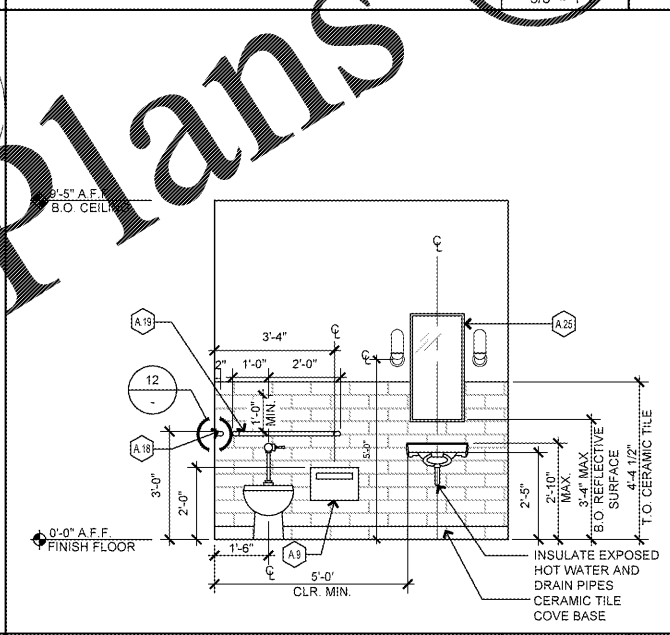
TOILET ROOM ELEVATION SCALE: 3/8" = 1'-0" 10 TOILET ROOM ELEVATION



TOILET ROOM ELEVATION SCALE: 3/8" = 1'-0" 9 ACCESSORY SCHEDULE



TOILET ROOM ELEVATION SCALE: 3/8" = 1'-0" 8 TOILET ROOM PLAN - NEW

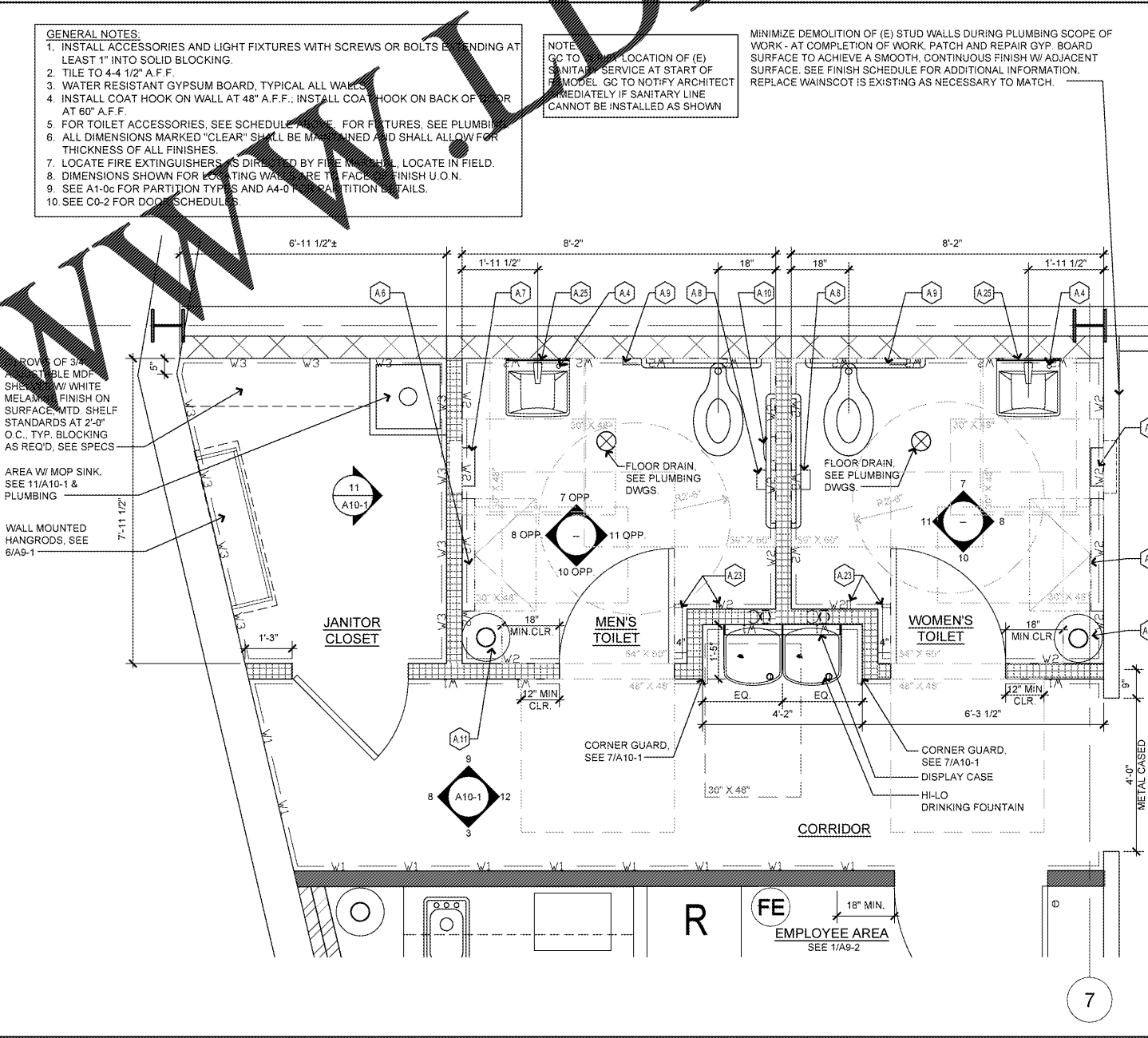


TOILET ROOM PLAN - NEW SCALE: 1/2" = 1'-0" 7

ITEM	MANUFACTURER	MODEL	COLOR	COMMENTS	
A.3	WALL MOUNTED SOAP DISPENSER	BOBRICK	B-4112	STAINLESS STEEL	LOCATED IN EMPLOYEE AREA
A.4	SOAP DISPENSER - SINK MOUNTED	BRADLEY	6322	STAINLESS STEEL	LAVATORY MOUNTED SOAP DISPENSER
A.5	PAPER TOWEL DISPENSER	BOBRICK	B-262 W 262-130 TOWELMATE	STAINLESS STEEL	INSTALL TOWELMATE INSIDE DISPENSER W/ DOUBLE STICK TAPE
A.6	BABY CHANGING TABLE	KOKALA	KB-200-01SS	GRAY	LOCATED IN EMPLOYEE AREA
A.7	ELECTRIC HAND DRYER	DYSON	A812	SPRAYED NICKEL	STAINLESS STEEL PANEL, SURFACE MOUNTED TO MEET ADA REQUIREMENTS FOR PROJECTION, MOUNTING HEIGHT, AND OPERATION. SURFACE MOUNT W/ 4" PROJECTION. CONTACT RUSSEL ADDIS AT RUSSEL.ADDIS@DYSON.COM PHONE: 312-846-7772 OR RYAN WADE AT RYAN.WADE@DYSON.COM PHONE: 925-605-9049.
A.8	TOILET PAPER DISPENSER	BOBRICK	B-4288	STAINLESS STEEL	-
A.9	TOILET SEAT COVER DISPENSER	BOBRICK	B-221	STAINLESS STEEL	-
A.10	SANITARY NAPKIN DISPOSAL	BOBRICK	B-270	STAINLESS STEEL	WOMEN'S AND UNISEX RESTROOMS ONLY
A.11	TRASH CAN - DOME OPEN TOP	MORGAN LI	4150T	BLUE	15 GALLON
A.18	42" GRAB BAR	BOBRICK	B-6806	STAINLESS STEEL	PROVIDE MIN. 36" LONG AT REAR OF TOILET AND 42" AT SEAT (FOR CANADA ONLY. PROVIDE A MIN. 24" LONG AT REAR OR TOILET AND 36" LONG AT SEAT.) USE MATCHING EXPOSED SCREWS
A.19	36" GRAB BAR	BOBRICK	B-6806	STAINLESS STEEL	-
A.20	18" GRAB BAR	BOBRICK	B-6806	STAINLESS STEEL	-
A.23	COAT HOOKS	CARLSON	EV2312G	GRAY	(1) MOUNTED ON BACK OF DOOR AT 48" A.F.F. (1) MOUNTED ON WALL AT 48" A.F.F.
A.24	STALL HOOK	BOBRICK	B-233	STAINLESS STEEL	BACK OF EACH RESTROOM. INSTALL DOOR IN MULTIPLE OCCUPANCY RESTROOMS
A.25	18 X 36 MIRROR	BOBRICK	B-165-1836	STAINLESS STEEL	-
A.26	TOILET PARTITIONS	FORMICA	969-58	NAVY BLUE, MATTE FINISH	SEE SPECIFICATION FOR MOUNTING

REMARKS:  
 1. PROVIDE TOILET ACCESSORIES AS SHOWN ON DRAWINGS AND AS SPECIFIED.  
 2. COMPLY WITH APPLICABLE CODE REQUIREMENTS, INCLUDING REQUIREMENTS TO PROVIDE ACCESS TO PERSONS WITH DISABILITIES.  
 3. DELIVER INSERTS AND ROUGH-IN FRAMES TO JOB SITE AT APPROPRIATE TIME FOR BUILDING IN.  
 4. INSTALL GRAB BARS TO PROVIDE LOAD SUPPORT AS REQUIRED BY APPLICABLE CODES.  
 5. INSTALL TOILET ACCESSORIES IN ACCORDANCE WITH DRAWINGS AND MANUFACTURER'S INSTALLATION INSTRUCTIONS AND RECOMMENDATIONS.  
 6. MOUNTING LOCATION AND HEIGHTS, AS INDICATED ON DRAWINGS AND IN CONFORMANCE WITH REQUIREMENTS FOR ACCESS FOR PERSONS WITH DISABILITIES.  
 7. CHECK SPECIFICATIONS FOR TOILET PARTITIONS.

ACCESSORY SCHEDULE 2



TOILET ROOM PLAN - NEW SCALE: 1/2" = 1'-0" 1

REMODEL STORE

**OLD NAVY**

REPS. I.D. 00000131847

STORE NUMBER: 5724

STORE LOCATION: BUCKHEAD STATION 1 BUCKHEAD LOOP NE ATLANTA, GA 30326

DESIGN TYPE: P3  
 GENERATION: 18012  
 PROTOTYPING DATE: 08/31/17  
 OPENING DATE: 2018

CONSULTANT INFO.

PROFESSIONAL STAMP:

ARCHITECT INFO:

**brr**

ARCHITECT OF RECORD:  
 BOYD W. RAU  
 6700 ANTOCH PLAZA  
 SUITE 300  
 METROPLEX, MS 66204  
 www.brrarch.com  
 TEL: 913-263-9095  
 FAX: 913-262-9044

ISSUE TYPE:  
 BID/PERMIT 01/05/18

REVISIONS:

DRAWN BY: CAR  
 A/E JOB NUMBER: 65013029

TITLE SHEET:  
 TOILET ROOM ENLARGED  
 PLAN, ELEVATIONS &  
 SCHEDULES

SHEET NUMBER:  
**A10-0**