

REMODEL STORE

OLD NAVY

CAP. INC.
STORE DEVELOPMENT
1 FOLSOM STREET
SAN FRANCISCO, CA 94105

REPS. I.D.: 00000131847

STORE NUMBER: 5724

STORE LOCATION: BUCKHEAD STATION
1 BUCKHEAD LOOP NE
ATLANTA, GA 30326

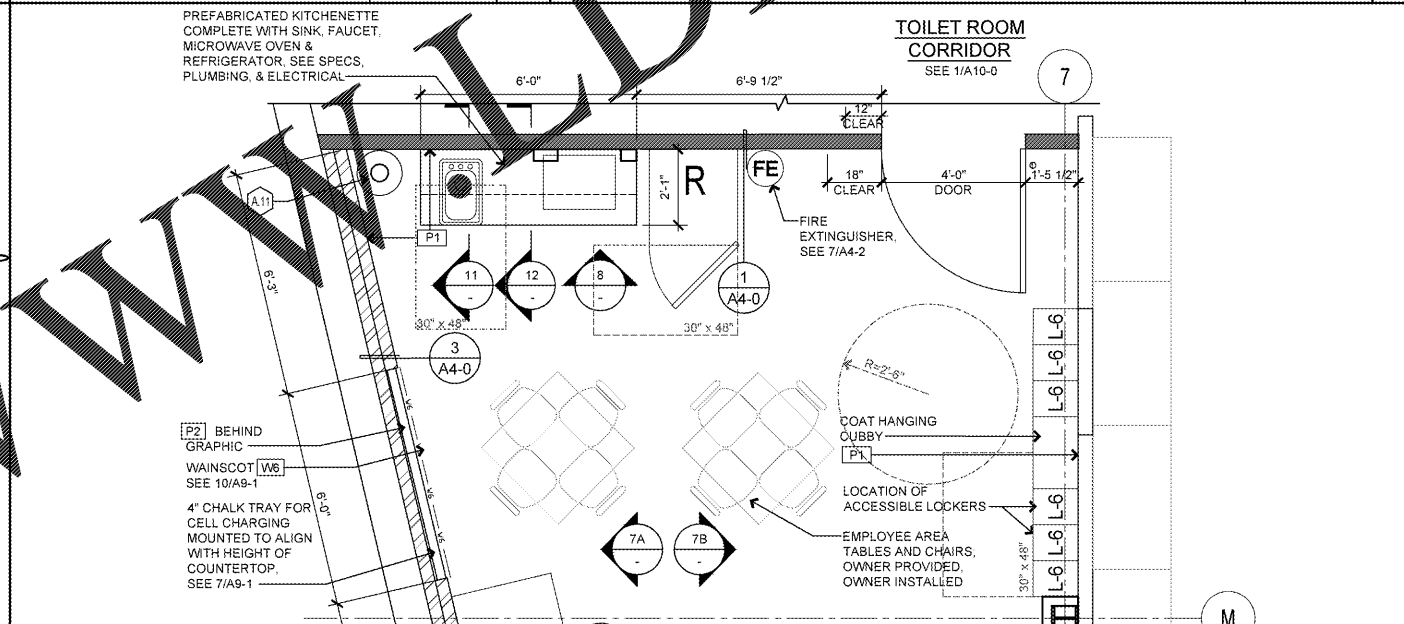
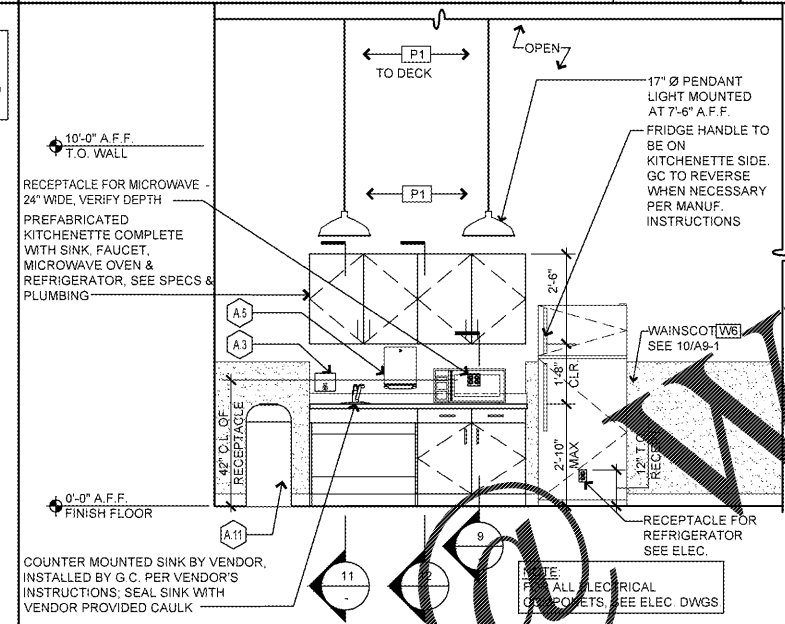
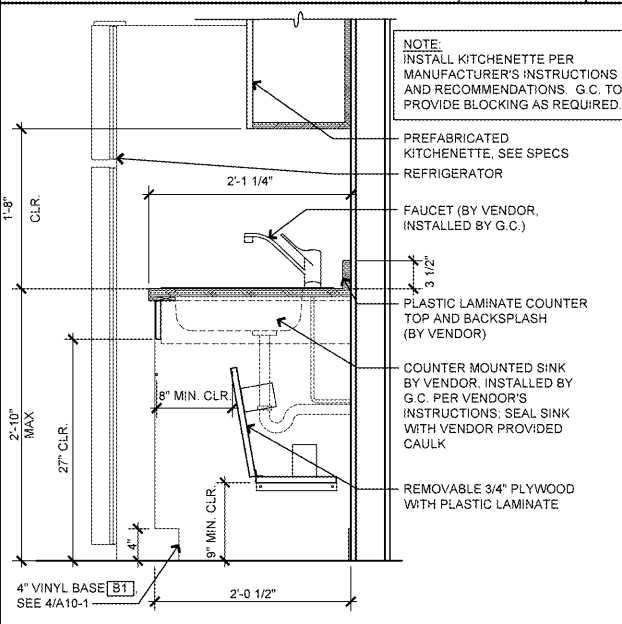
DESIGN TYPE: P3
GENERATION: 18012
PROTOTYPE DATE: 08/31/17
OPENING: 2018

SECTION @ KITCHENETTE SCALE: 1\"/>

SECTION @ CORK BOARD SCALE: 3\"/>

NOT USED SCALE: 3\"/>

STOCKROOM ELEVATION SCALE: 1 1/2\"/>



CONSULTANT INFO.

PROFESSIONAL STAMP:

ARCHITECT INFO:

brr

ARCHITECT OF RECORD:
BOYD W. BAU
6700 ANTIPOCH PLAZA
SUITE 300
MEMPHIS, TN 38124
www.brrarch.com
TEL: 913-262-9095
FAX: 913-262-9044

ISSUE TYPE:

BID/PERMIT 01/05/18

REVISIONS:

DRAWN BY: CAR
AVE JOB NUMBER: 65013029

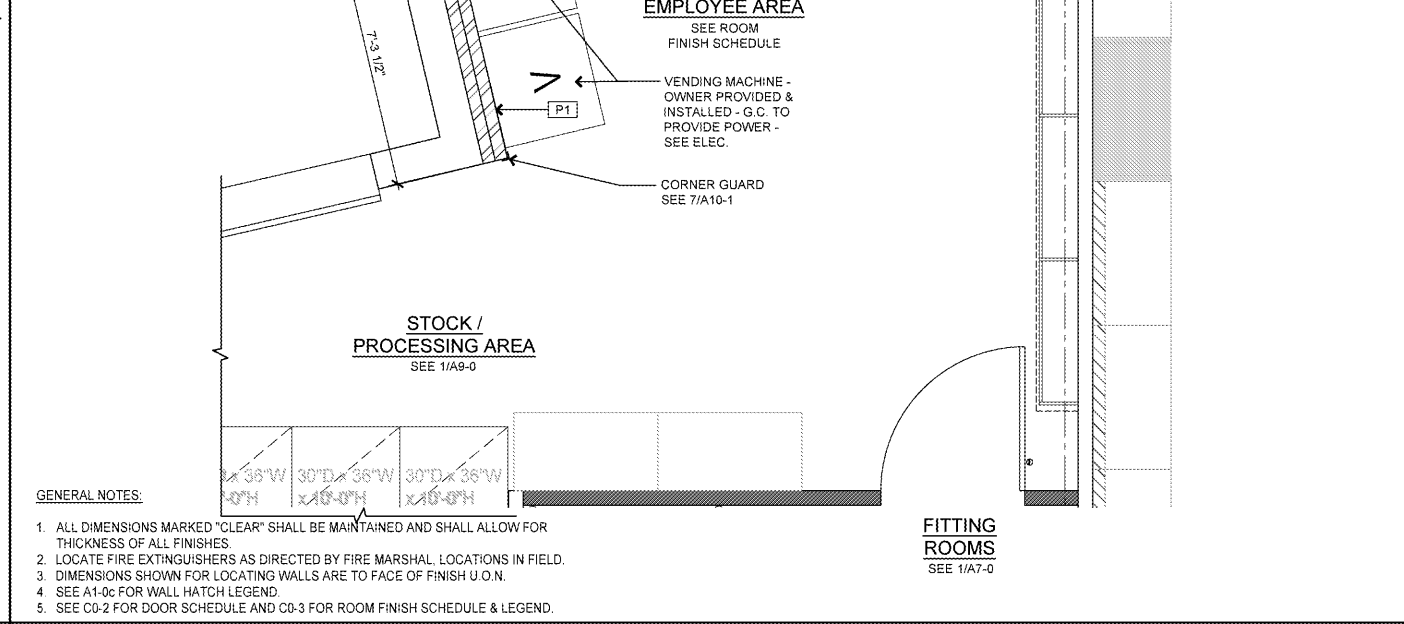
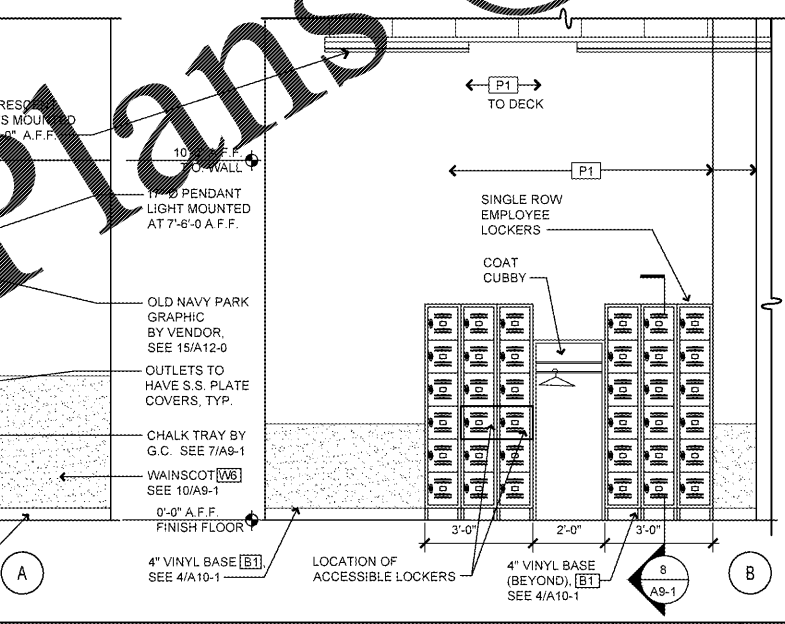
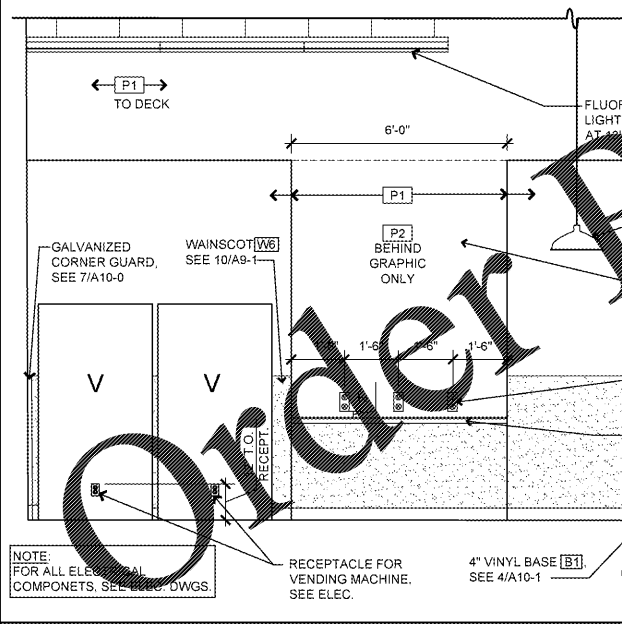
TITLE SHEET:
ENLARGED EMPLOYEE AREA PLAN, ELEVATIONS & DETAILS

SHEET NUMBER:

SECTION @ SINK SCALE: 1\"/>

EMPLOYEE AREA ELEVATION SCALE: 3/8\"/>

ENLARGED EMPLOYEE AREA PLAN AND GENERAL NOTES SCALE: 3/8\"/>



ISSUE TYPE:

BID/PERMIT 01/05/18

REVISIONS:

DRAWN BY: CAR
AVE JOB NUMBER: 65013029

TITLE SHEET:
ENLARGED EMPLOYEE AREA PLAN, ELEVATIONS & DETAILS

SHEET NUMBER:

EMPLOYEE AREA ELEVATION SCALE: 3/8\"/>

EMPLOYEE AREA ELEVATION SCALE: 3/8\"/>

ENLARGED EMPLOYEE AREA PLAN AND GENERAL NOTES SCALE: 3/8\"/>

ENLARGED EMPLOYEE AREA PLAN, ELEVATIONS & DETAILS SHEET NUMBER: A9-2