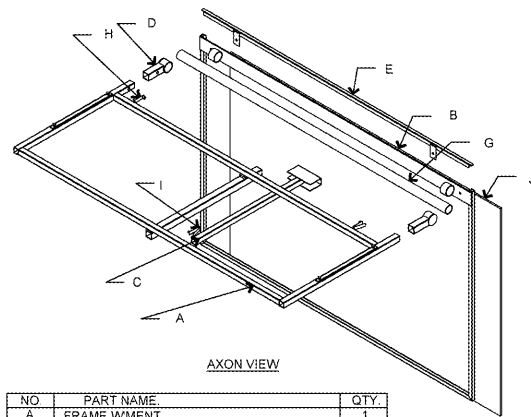
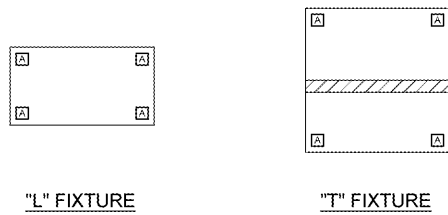
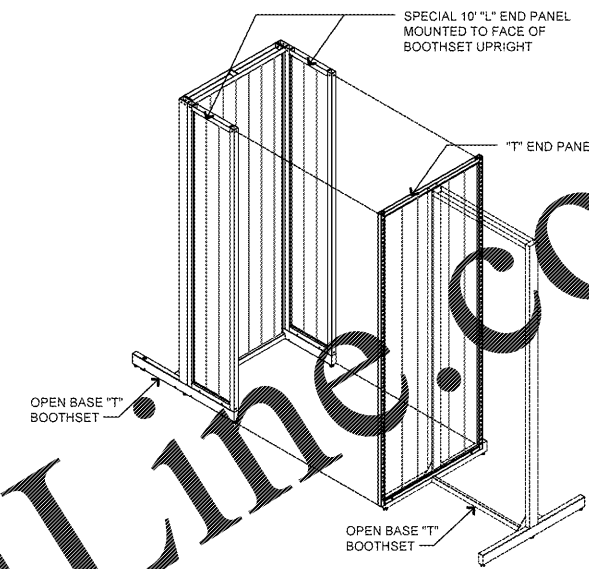
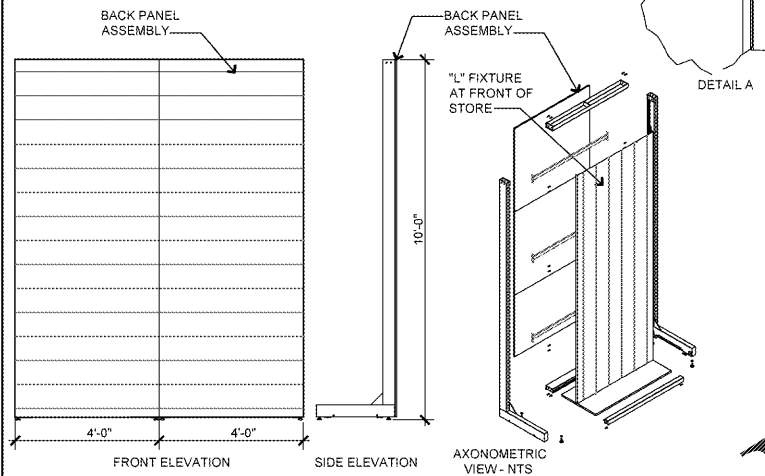


NOTES:  
 - [ ] DENOTES AN ANCHOR BOLT LOCATION. SEE 10/A8-2  
 - ALL FREESTANDING FIXTURES TO BE ANCHORED ON ALL CORNERS  
 - ALL DIMENSIONS "CLEAR" SHALL BE MAINTAINED AND SHALL ALLOW FOR THICKNESS OF ALL FINISHES  
 - FOR STORES IN SEISMIC ZONES, G.C. TO COORDINATE BOOTHSET ANCHORING W/ RACKING DRAWINGS AND CALCULATIONS



NO	PART NAME	QTY
A	FRAME W/MENT	1
B	DOOR FRAME W/MENT PC EBONY CHROME	1
C	UPSTOCK DOOR EXTENSION BAR	1
D	UPSTOCK DOOR HINGE	2
E	U CHANNEL	1
G	0.079" X 1.5" TUBE	1
H	SPRING BUTTON 5/16" DIA	2
I	SPRING BUTTON 1/4" DIA	1
J	COROPLAST PANEL 31-3/4" X 47-3/4"	1

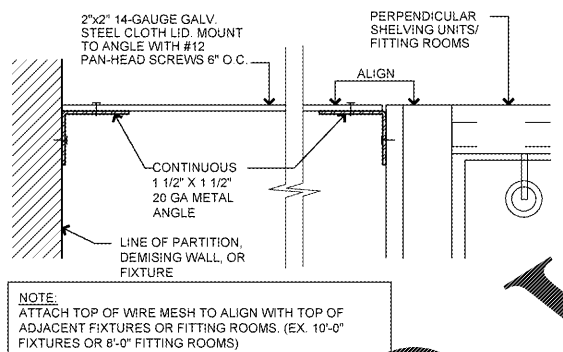
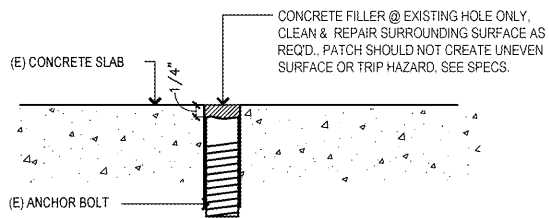


"L" & "T" BOOTHSET ANCHOR POINT DETAIL SCALE: 3/8" = 1'-0" 12

UPSTOCK FIXTURE DETAIL SCALE: NTS 9

BACKPANEL @ FRONT OF STORE BOOTHSET SCALE: 1" = 1'-0" 9

SPECIAL END PANEL AT "T" BOOTHSET SCALE: 3/8" = 1'-0" 3

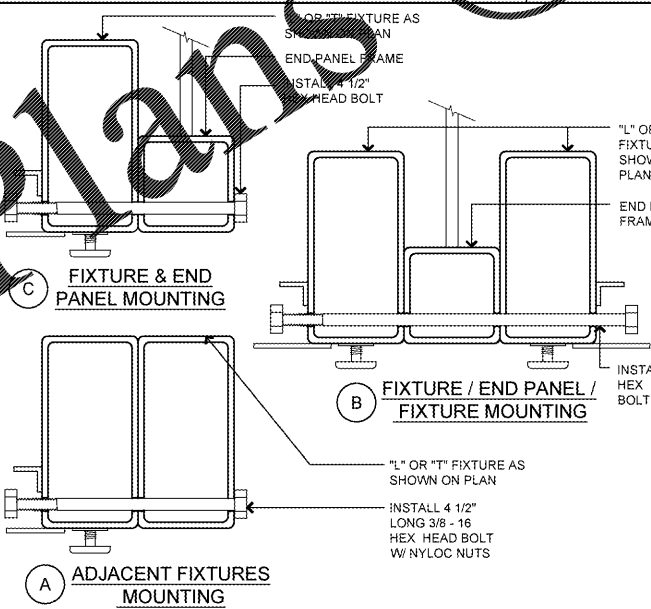
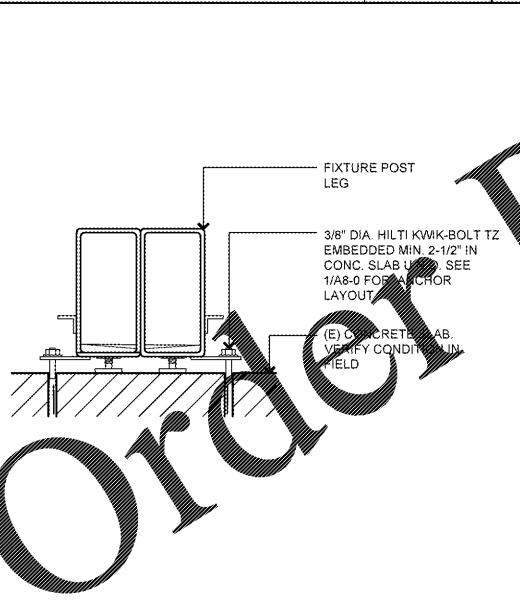


PATCH HOLES @ (E) ANCHOR BOLTS SCALE: 6" = 1'-0" 11

WIREMESH LID @ TOP OF VOID SCALE: NTS 8

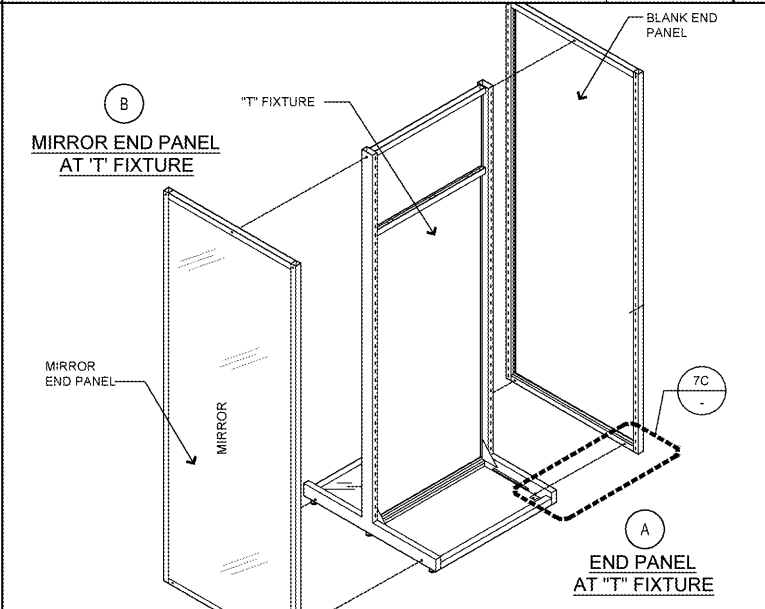
NOT USED SCALE: N.T.S. 5

END PANEL @ "L" FIXTURES SCALE: 3/8" = 1'-0" 2

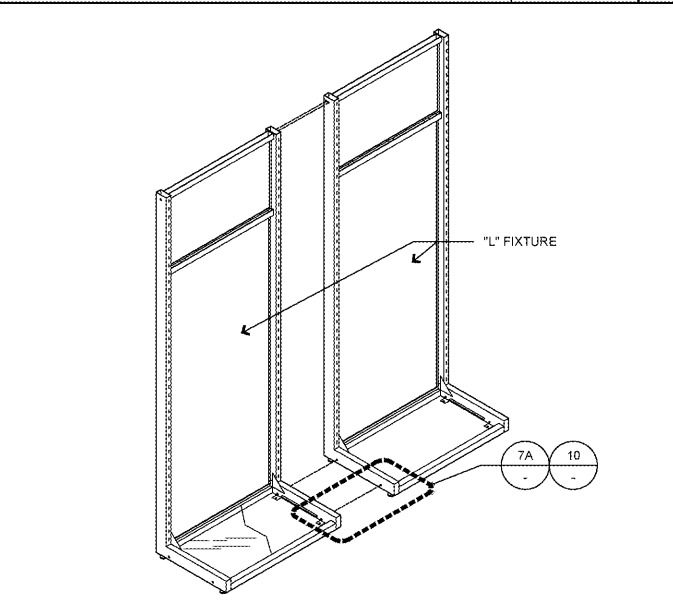


TYP. FIXTURE ANCHOR @ FLOOR SCALE: 3" = 1'-0" 10

"L" & "T" PANEL MOUNTING SCALE: 3/8" = 1'-0" 7



END PANEL @ "T" FIXTURES SCALE: 3/8" = 1'-0" 4



"L" FIXTURE CONNECTION SCALE: 3/8" = 1'-0" 1

REMODEL STORE

**OLD NAVY**

DEVELOPMENT  
 FOLSOM STREET  
 SAN FRANCISCO, CA 94105

REPS. I.D.: 00000131847

STORE NUMBER: 5724

STORE LOCATION:  
**BUCKHEAD STATION**  
 1 BUCKHEAD LOOP NE  
 ATLANTA, GA 30326

DESIGN TYPE: P3  
 GENERATION: 18012  
 PROTOTYPE DATE: 08/31/17  
 OPENING: 2018

CONSULTANT INFO.

PROFESSIONAL STAMP:

**FOR REFERENCE ONLY**

ARCHITECT INFO:

**brr**

ARCHITECT OF RECORD:  
 BOYD W. RAU  
 6700 ANTOCH PLAZA  
 SUITE 300  
 MEMPHIS, TN 38124  
 www.brrarch.com  
 TEL: 913-263-9095  
 FAX: 913-262-9044

ISSUE TYPE:

BID/PERMIT 01/05/18

REVISIONS:

DRAWN BY: CAR  
 AVE JOB NUMBER: 65013029

TITLE SHEET:  
**BOOTHSET DETAILS**

SHEET NUMBER:  
**A8-1**