

"T" OPEN BASE FIXTURE - 10'-0" H

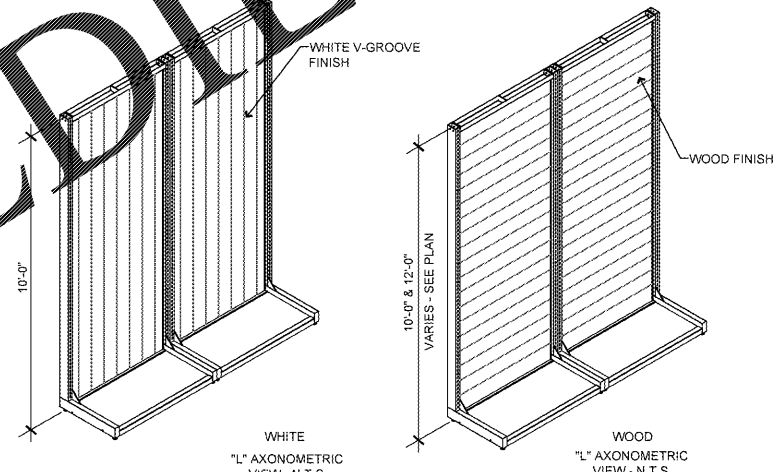
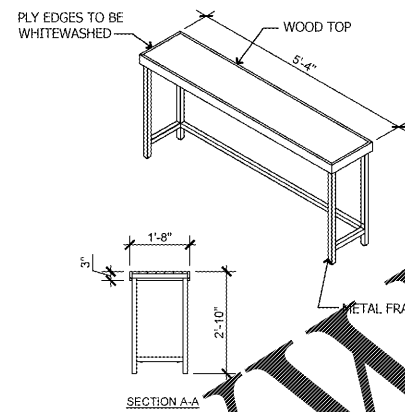
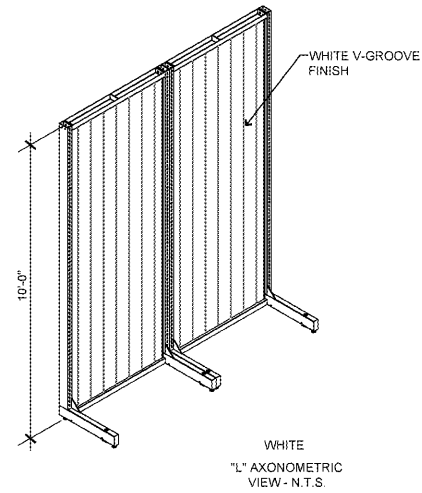
SCALE: 3/8" = 1'-0" 9

FITTING ROOM LOUNGE BENCH

SCALE: 3/8" = 1'-0" 6

"T" FIXTURE - 10'-0" & 12'-0" H

SCALE: 3/8" = 1'-0" 3



"L" OPEN BASE FIXTURE - 10'-0" H

SCALE: 3/8" = 1'-0" 8

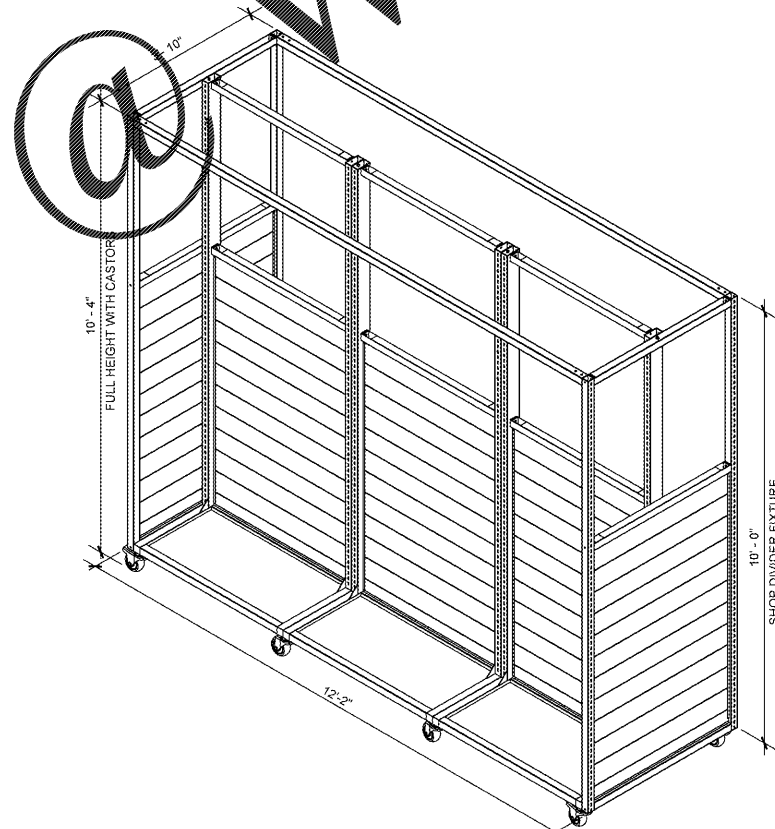
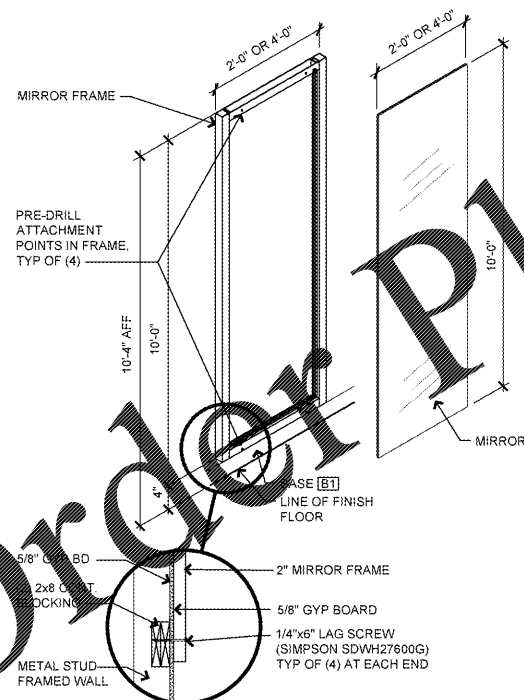
FITTING ROOM LOUNGE DESK

SCALE: 3/8" = 1'-0" 5

"L" FIXTURE - 10'-0" & 12'-0" H

SCALE: 3/8" = 1'-0" 2

- ATTACHMENT NOTES:**
1. PROVIDE CONTINUOUS (2) 2x8 SOLID WOOD BLOCKING AT TOP AND BOTTOM FRAME CONNECTION POINTS.
 2. INSTALL 2x8 SOLID WOOD BLOCKING WITH (3) #12 PAN HEAD SCREWS EACH END THROUGH WALL STUD FRAMING.
 3. INSTALL MIRROR FRAME WITH 1/4"x6" LAG SCREWS WITH MINIMUM 3" THREAD LENGTH (SIMPSON SDWH27600G) TYP OF (4) AT EACH END, SCREW INTO BLOCKING.
 4. PRE-DRILL FOR FASTENERS AS REQUIRED TO PREVENT SPLITTING OF WOOD.



WALL MOUNTED MIRROR END PANEL

SCALE: 1/4" = 1'-0" 7

SHOP DIVIDER AXON

SCALE: 3/8" = 1'-0" 4

NOT USED

SCALE: 1

REMODEL STORE

OLD NAVY

REPS. I.D. 00000131847

STORE NUMBER: 5724
 STORE LOCATION: BUCKHEAD STATION
 1 BUCKHEAD LOOP NE
 ATLANTA, GA 30326

DESIGN TYPE: P3
 GENERATION: 18012
 PROTOTYPE DATE: 08/31/17
 OPENING: 2018

CONSULTANT INFO.

PROFESSIONAL STAMP:

FOR REFERENCE ONLY

ARCHITECT INFO:

brr
 ARCHITECT OF RECORD:
 BOYD W. BAU
 6700 ANTIPOCH PLAZA
 SUITE 300
 MERRILL, AS 66204
 www.brrarch.com
 TEL: 913-263-9095
 FAX: 913-262-9044

ISSUE TYPE:

BID/PERMIT 01/05/18

REVISIONS:

DRAWN BY: CAR
 AVE JOB NUMBER: 65013029

TITLE SHEET:
 BOOTHSET ENLARGED
 PLANS AND DETAILS

SHEET NUMBER:

A8-0