

PRICE CHECKER SIGNAGE SCALE: NTS

PRICE CHECKER BASE PLATE SCALE: NTS 2

REMODEL STORE

OLD NAVY

DEVELOPMENT
STORE DEVELOPMENT
FOLSOM STREET
SAN FRANCISCO, CA 94105

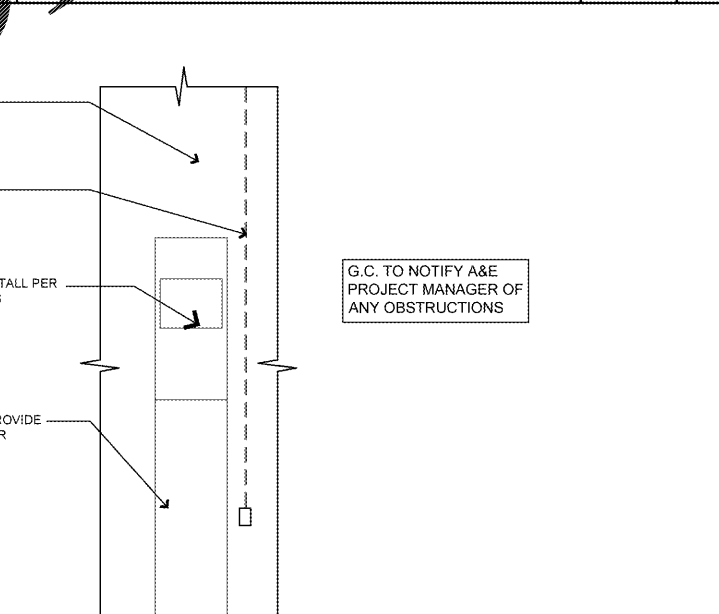
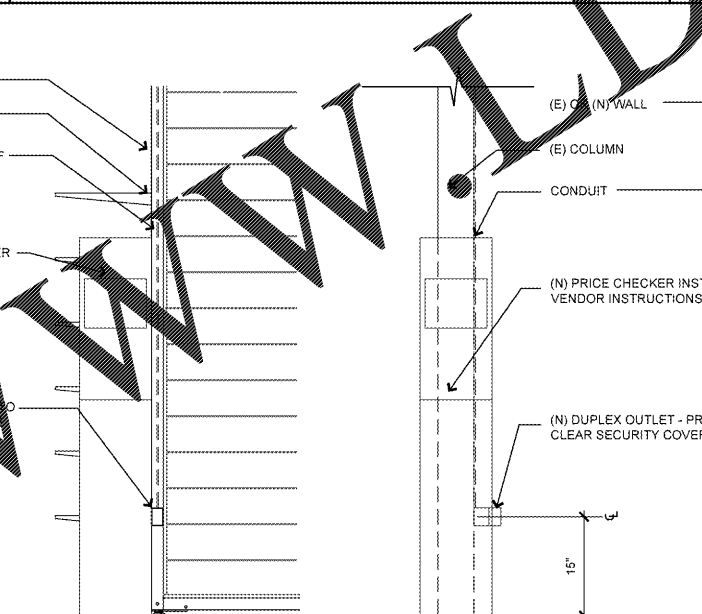
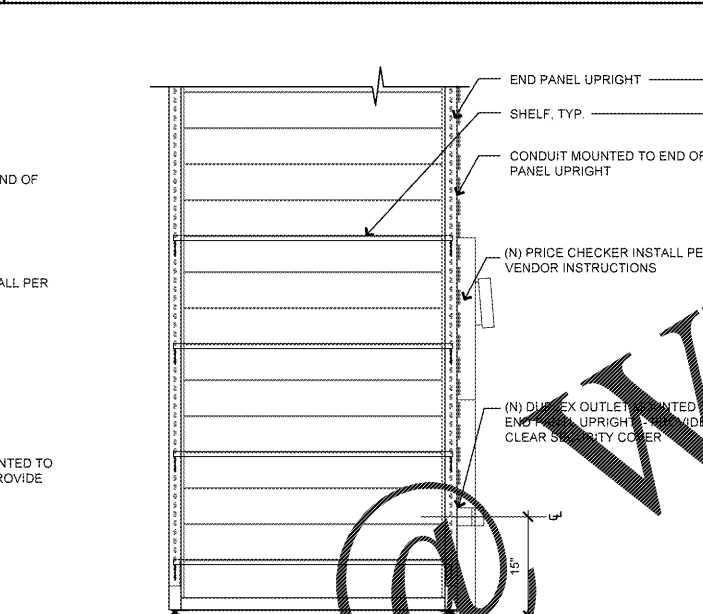
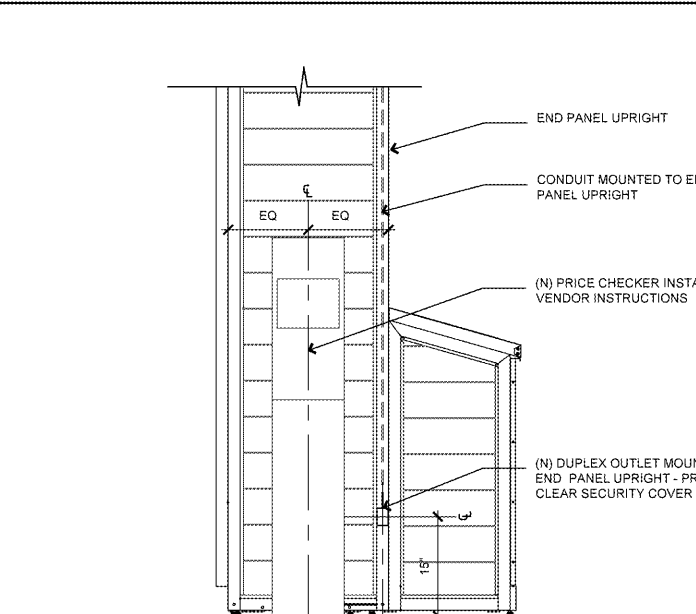
REPS. I.D.: 00000131847

STORE NUMBER: 5724

STORE LOCATION: BUCKHEAD STATION
1 BUCKHEAD LOOP NE
ATLANTA, GA 30326

DESIGN TYPE: P3
GENERATION: 18012
PROTOTYPE DATE: 08/31/17
OPENING: 2018

CONSULTANT INFO:



G.C. TO NOTIFY A&E PROJECT MANAGER OF ANY OBSTRUCTIONS

PROFESSIONAL STAMP:

ARCHITECT INFO:

brr

ARCHITECT OF RECORD:
BOYD W. RAU
6700 ANTIPOCH PLAZA
SUITE 300
MEMPHIS, TN 38124
www.brrarch.com
TEL: 913-263-9095
FAX: 913-262-9044

ISSUE TYPE:

BID/PERMIT 01/05/18

REVISIONS:

DRAWN BY: CAR
A/E JOB NUMBER: 65013029

TITLE SHEET:
PRICE CHECKER DETAILS

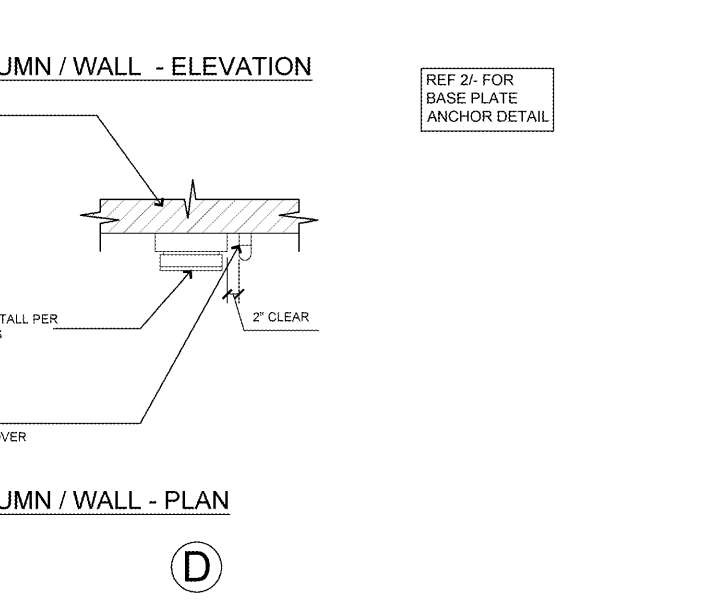
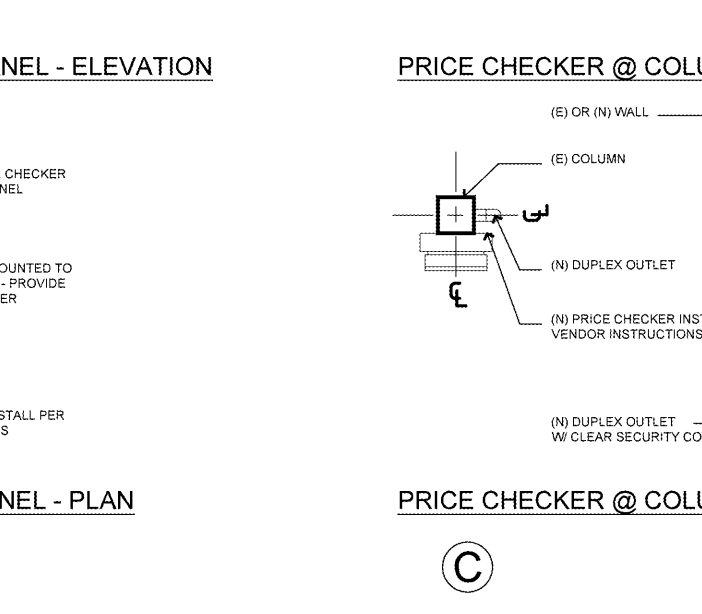
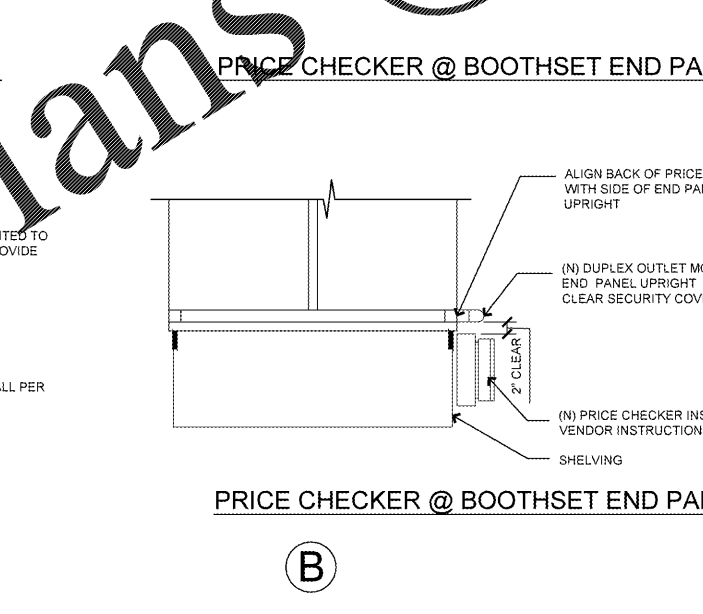
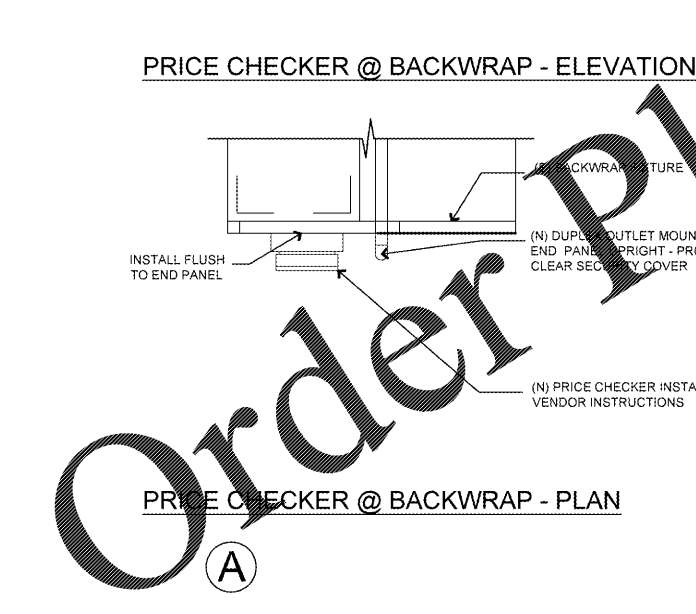
SHEET NUMBER:

PRICE CHECKER @ BACKWRAP - ELEVATION

PRICE CHECKER @ BOOTHSET END PANEL - ELEVATION

PRICE CHECKER @ COLUMN / WALL - ELEVATION

PRICE CHECKER @ COLUMN / WALL - PLAN



REF 2/- FOR BASE PLATE ANCHOR DETAIL

PRICE CHECKER @ BACKWRAP - PLAN

PRICE CHECKER @ BOOTHSET END PANEL - PLAN

PRICE CHECKER @ COLUMN / WALL - PLAN

PRICE CHECKER @ COLUMN / WALL - PLAN