

NOTES:
 1. BACKWRAP SHOWN FOR REFERENCE ONLY, SEE SHOP DRAWINGS FOR INSTALLATION / ASSEMBLY.
 2. FIXTURES MUST BE INSTALLED LEVEL & PLUMB.
 3. ELECTRICAL WORK FOR CASHWRAP & CRENDENZA POWER / DATA SHOULD BE COMPLETED PRIOR TO FIXTURE INSTALLATION.

REMODEL STORE



MAP, INC.
 STORE DEVELOPMENT
 FOLSOM STREET
 SAN FRANCISCO, CA 94105

REPS. I.D.: 00000131847

STORE NUMBER: 5724
 STORE LOCATION: BUCKHEAD STATION
 1 BUCKHEAD LOOP NE
 ATLANTA, GA 30326

DESIGN TYPE: P3
 GENERATION: 18012
 PROTOTYPE DATE: 08/31/17
 OPENING: 2018

CONSULTANT INFO:

PROFESSIONAL STAMP:

ARCHITECT INFO:



ISSUE TYPE:

BID/PERMIT 01/05/18

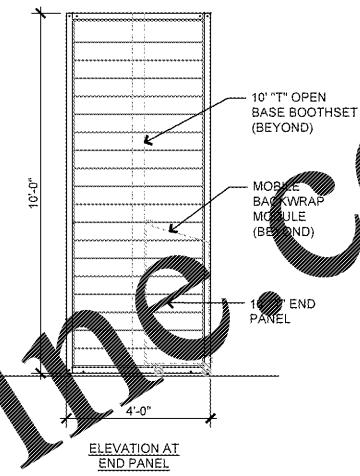
REVISIONS:

DRAWN BY: CAR
 A/E JOB NUMBER: 65013029

TITLE SHEET: BACKWRAP DETAILS

SHEET NUMBER:

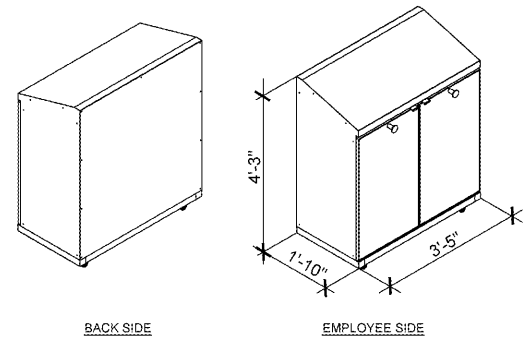
A6-1



NOT USED SCALE: 7

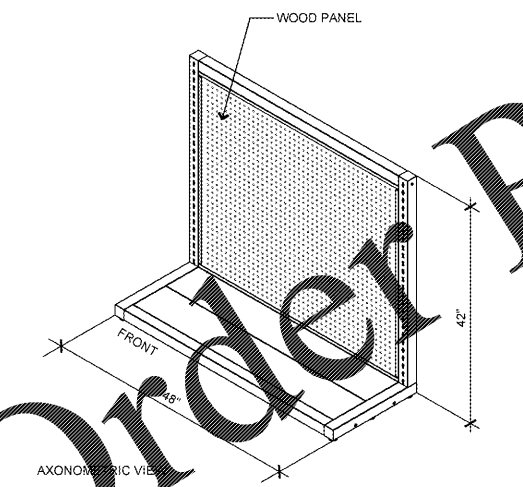
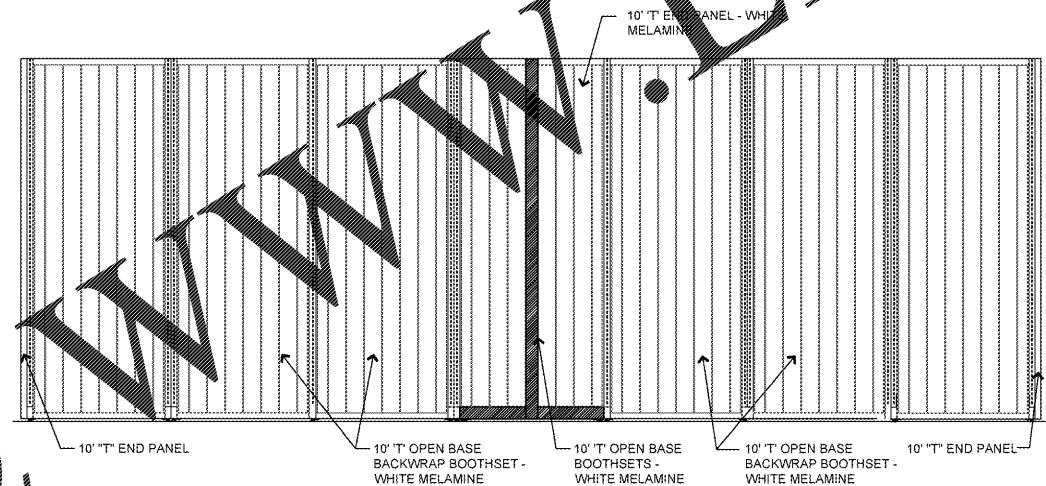
NOT USED SCALE: 7

BACKWRAP SIDE ELEVATION SCALE: 3
 3/8" = 1'-0"



MOBILE BACKWRAP SCALE: N.T.S. 6

BACKWRAP REAR ELEVATION SCALE: 2
 3/8" = 1'-0"



FASTLANE FIXTURE SCALE: 5

BACKWRAP FRONT ELEVATION SCALE: 1
 3/8" = 1'-0"

