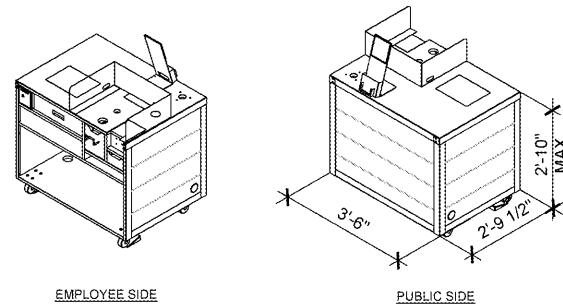


EMPLOYEE SIDE

PUBLIC SIDE



EMPLOYEE SIDE

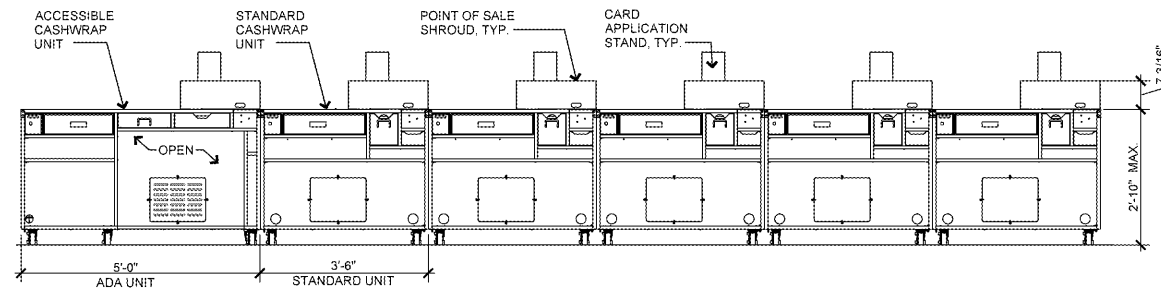
PUBLIC SIDE

ADA CASHWRAP UNIT

SCALE: N.T.S. 12

STANDARD CASHWRAP UNIT

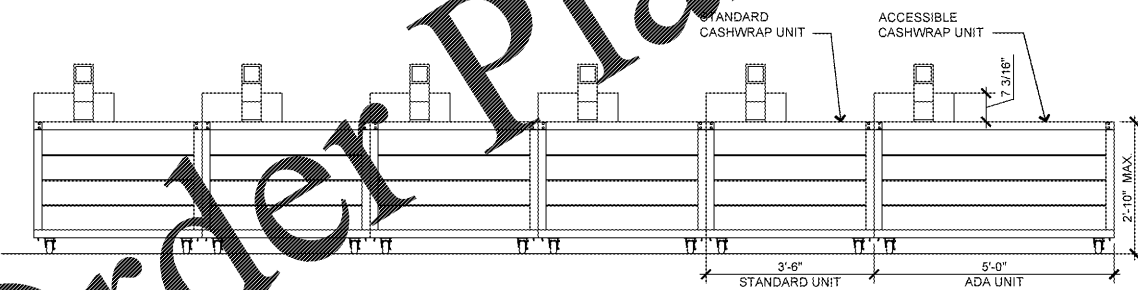
SCALE: N.T.S. 9



NOTES:
 1. CASHWRAP SHOWN FOR REFERENCE ONLY, SEE SHOP DRAWINGS FOR INSTALLATION / ASSEMBLY.
 2. CASHWRAP MUST BE INSTALLED LEVEL & PLUMB.
 CASHWRAP VENDOR CONTACT: TOM NEVILLE
 TRIAD MANUFACTURING
 (314) 381-5280

MOBILE CASHWRAP ELEVATION

SCALE: 1/2" = 1'-0" 8



MOBILE CASHWRAP ELEVATION

SCALE: 1/2" = 1'-0" 7

ENLARGED CASHWRAP AREA PLAN

SCALE: 3/8" = 1'-0" 1

