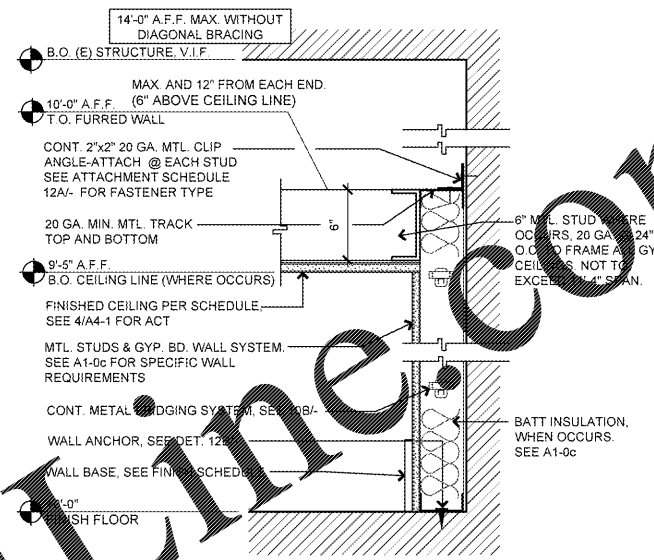
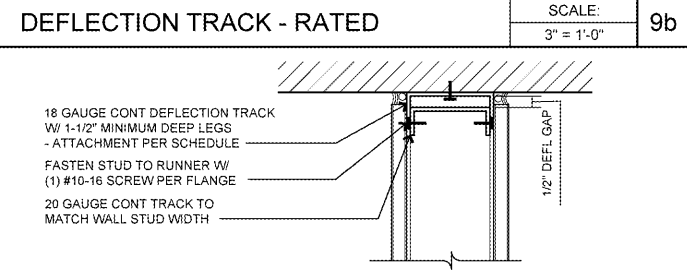
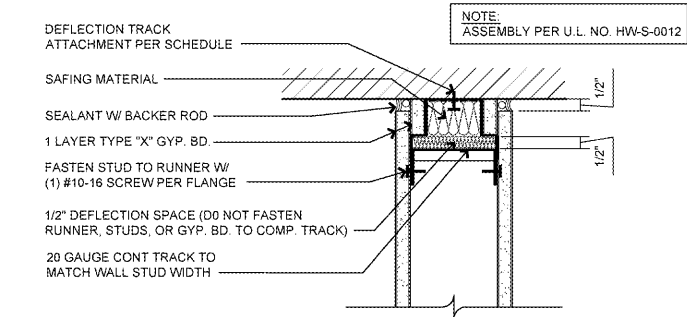


TRACK ATTACHMENT SCHEDULE	
MATERIAL OF BUILDING	2 FASTENERS
CONCRETE SLAB	(2) 0.145" DIA HILTI X-DNI UNIVERSAL PAF @ 16" OC (1-1/4" EMBED)
METAL DECK	(2) #10-16 SCREWS @ 16" OC
METAL DECK W/ CONCRETE	(2) 0.145" DIA HILTI X-DNI UNIVERSAL PAF @ 16" OC (1-1/4" EMBED)
METAL DECK W/ LIGHTWEIGHT FILL (ZONOLITE, GYPSUM)	2 #12-14 X 1" HWH TRAXX2 IN SUB-DRILLED HOLES

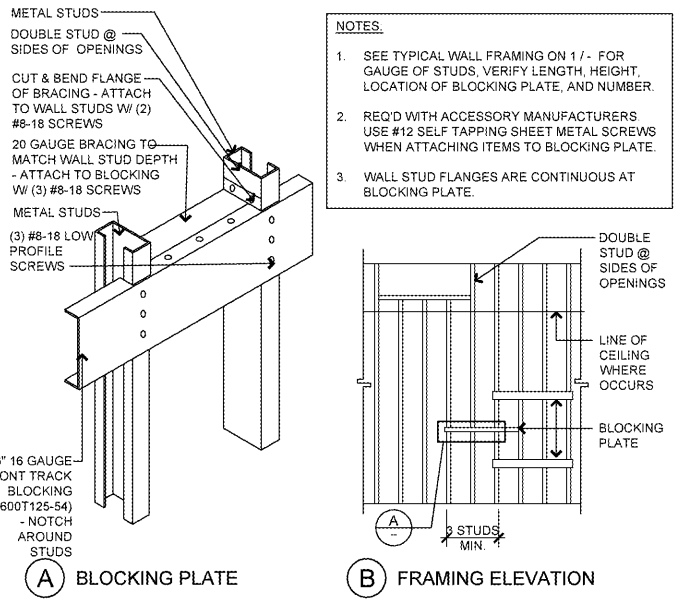


TRACK ATTACHMENT TO STRUCTURE 12b

ATTACHMENT SCHEDULE		
CONSTRUCTION OF (E) FULL-HEIGHT WALL	FASTENERS AT CONT. ANGLE	FASTENERS AT BRACING
BRICK	HILTI X-DNI UNIVERSAL POWDER ACTUATED FASTENERS	BRACING NOT REQUIRED
CMU	HILTI X-DNI UNIVERSAL POWDER ACTUATED FASTENERS	BRACING NOT REQUIRED
CONCRETE	HILTI X-DNI UNIVERSAL POWDER ACTUATED FASTENERS	BRACING NOT REQUIRED
3-5/8" MTL. STUD W/GYP. BD.	#12-14 X 1-1/4" TO EACH STUD	3" X 3" X 20 GA. CLIP ANGLE X 0'-3"
6" MTL. STUD W/GYP. BD.	SAME	2 #8-18 X 1/2" HWH TEKS/2
WOOD	#10 X 2'-2"L TO EACH WALL STUD IN SUB-DRILLED HOLES	BRACE AND TRACK WEBS

DEFLECTION TRACK - NON-RATED 9a

ATTACHMENT @ TOP OF WALL 12a



NOT USED 8

INTERIOR NON-LOAD BEARING PARTITION HEADERS SCHEDULE			
HEADER LENGTH	HEADER MEMBERS	MINIMUM EFFECTIVE PROPERTIES PER STUD	DOUBLE MTL STUD AT JAMBS
2' TO 6'	(2) 6" X 16" 16 GAUGE	Sx = 2,042 Sx = 0,670	BOX BEAM
6' TO 8'	(2) 6" X 16" 16 GAUGE	Sx = 2,518 Sx = 0,839	18 GA TRACK
8' TO 10'	(2) 6" X 16" 14 GAUGE	Sx = 3,094 Sx = 1,031	SECTION-B
10' TO 12'	(2) 6" X 16" 9 GAUGE	Sx = 4,134 Sx = 1,333	
12' TO 14'	(2) 6" X 16" 8 GAUGE	Sx = 5,110 Sx = 1,277	
14' TO 16'	(2) 6" X 16" 8 GAUGE	Sx = 6,303 Sx = 1,576	
16' TO 18'	(2) 6" X 16" 8 GAUGE	Sx = 12,325 Sx = 2,456	
18' TO 20'	(2) 6" X 16" 8 GAUGE	Sx = 15,730 Sx = 2,334	

HEADER CONNECTION DETAIL

SCALE: N.T.S.

METAL STUD (1) #10 TEK SCREW AT EACH VERTICAL STUD

BOTTOM TRACK

TOP TRACK

2 STUD HEADERS

FINISH AS INDICATED

BOTTOM TRACK

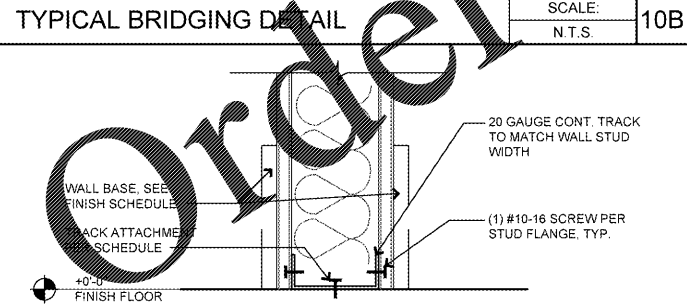
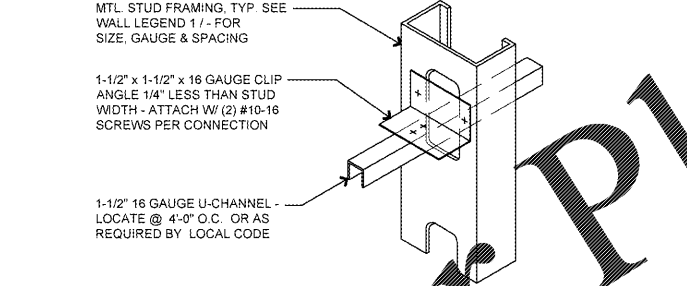
METAL STUD JAMB

18 GA TRACK WITH (3) #10 TEK SCREWS EACH SIDE TO HEADER AND (6) #10 TEK SCREWS TO JAMB

VARIES

SECTION-A

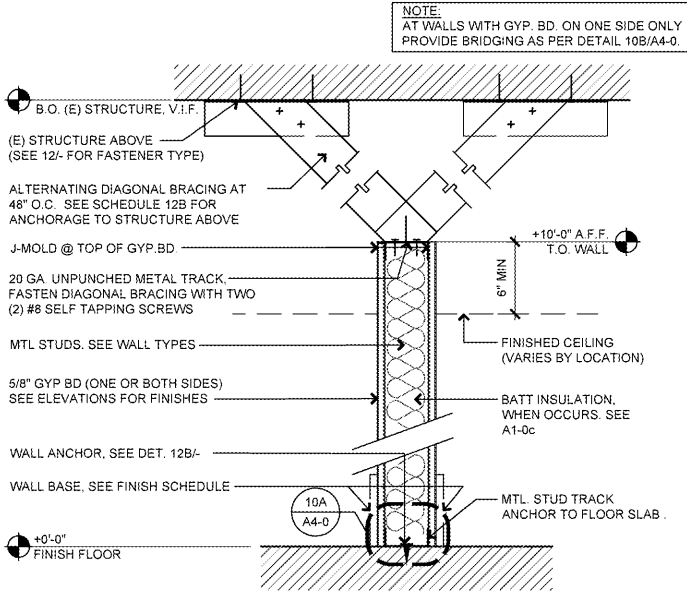
BLOCKING DETAILS 11



HEADER CONNECTION DETAIL 7

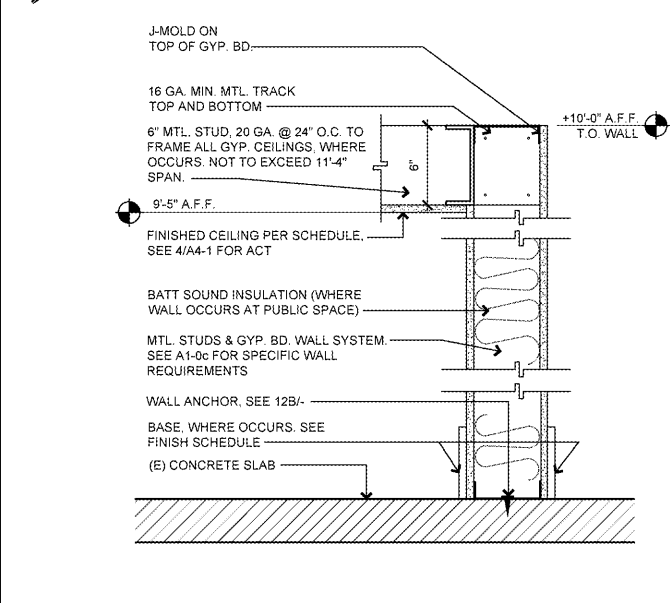
NOT USED

NOT USED 5

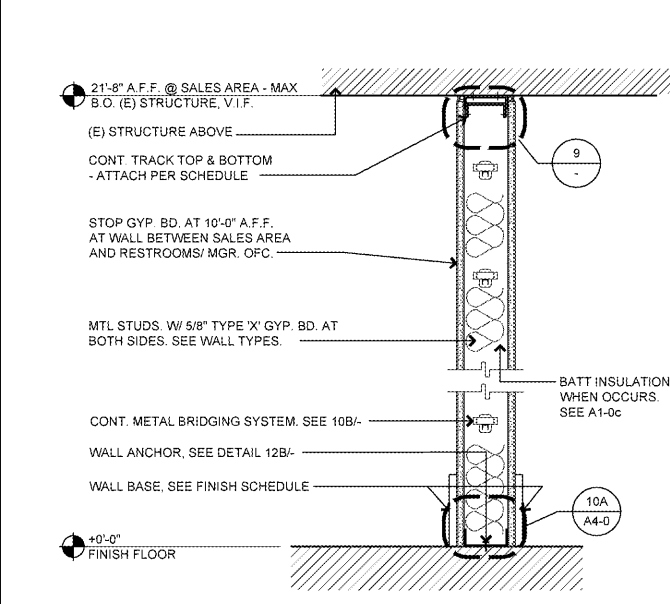


PARTIAL HT. N.R. PARTITION W/ BRACING 4

FURRED PARTITION W / OPTIONAL CLG. JOIST 3



NON-RATED PARTITION W / CLG. JOIST 2



NON-RATED PARTITION 1

REMODEL STORE

OLD NAVY

CAP. INC.
STORE DEVELOPMENT
17 FOLSOM STREET
SAN FRANCISCO, CA 94105

REPS. I.D.: 00000131847

STORE NUMBER: 5724

STORE LOCATION: BUCKHEAD STATION
1 BUCKHEAD LOOP NE
ATLANTA, GA 30326

DESIGN TYPE: P3
GENERATION: 18012
PROTOTYPE DATE: 08/31/17
OPENING DATE: 2018

CONSULTANT INFO.

PROFESSIONAL STAMP:

ARCHITECT INFO:

brr

ARCHITECT OF RECORD:
BOYD W. RAU
6700 ANTIPOCH PLAZA
SUITE 300
MERRILL, AS 66204
www.brrarch.com
TEL: 913-263-9095
FAX: 913-262-9044

ISSUE TYPE:

BID/PERMIT 01/05/18

REVISIONS:

DRAWN BY: CAR
A/E JOB NUMBER: 65013029

TITLE SHEET:
PARTITION DETAILS AND WALL TYPES

SHEET NUMBER: A4-0