



DEVELOPMENT
FOLSOM STREET
FRANCO, CA 94105

BUCKHEAD STATION
1 BUCKHEAD LOOP NE
ATLANTA, GA 30326

DESIGN TYPE: P3
GENERATION: 18012
PROTOTYPE DATE: 08/31/17
OPENING: 2018

CONSULTANT INFO:
PROFESSIONAL STAMP:

ARCHITECT INFO:
brr
ARCHITECT OF RECORD:
BOYD W. BAU
6700 ANTIOCH PLAZA
SUITE 300
MERRILL, KS 66204
www.brrarch.com
TEL: 913-263-9095
FAX: 913-262-9044

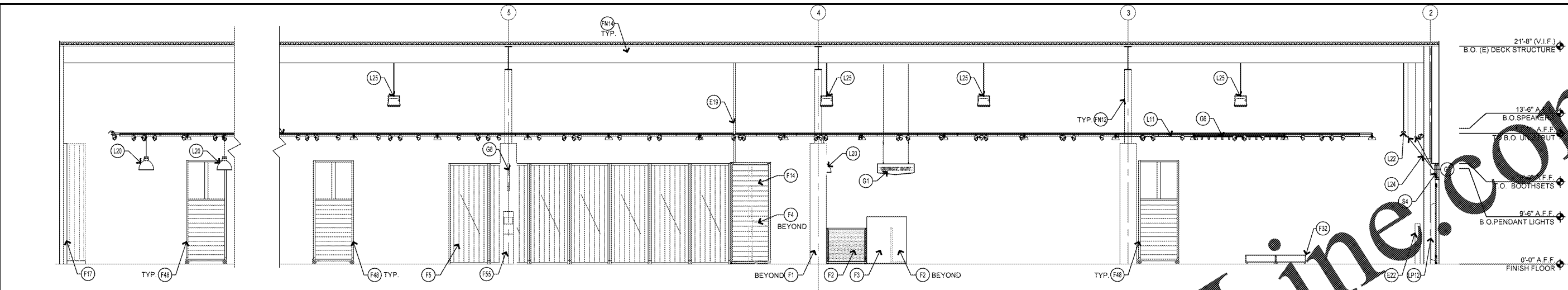
ISSUE TYPE:
BID/PERMIT 01/05/18

REVISIONS:

DRAWN BY: CAR
AVE JOB NUMBER: 65013029

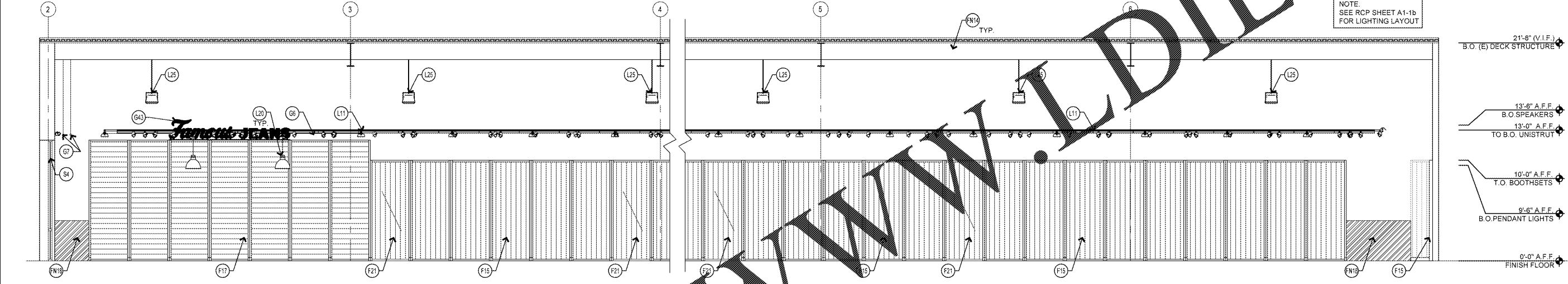
TITLE SHEET:
INTERIOR ELEVATIONS

SHEET NUMBER:
A3-1



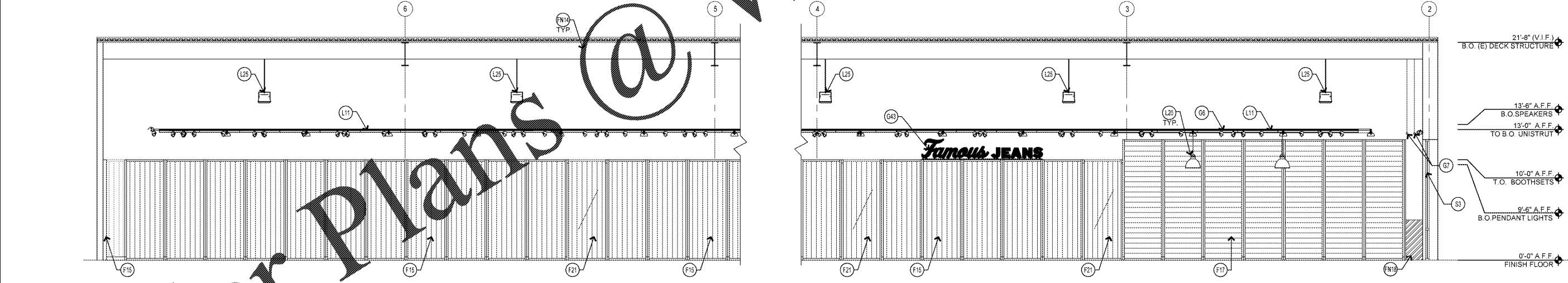
INTERIOR ELEVATION (CENTER)

SCALE: 3/16" = 1'-0"



INTERIOR ELEVATION (LEFT WALL)

SCALE: 3/16" = 1'-0"



INTERIOR ELEVATION (RIGHT WALL)

SCALE: 3/16" = 1'-0"

| KEY | DESCRIPTION | DET/SHT | KEY | DESCRIPTION | DET/SHT | KEY | DESCRIPTION | DET/SHT | KEY | DESCRIPTION | DET/SHT | KEY | DESCRIPTION | DET/SHT | KEY | DESCRIPTION | DET/SHT |
|-----------------------------|---|----------|-----------------|---|----------|-----------------|--|-----------|---------------------------|--|----------------|------------------------------|--|---------------------|-----|--|----------|
| SHELL / CONSTRUCTION | | | FIXTURES | | | FINISHES | | | GRAPHICS / SIGNAGE | | | MEP / LOSS PREVENTION | | | | | |
| S3 | (E) STOREFRONT SYSTEM | 6 / A6-1 | F5 | 10'-0" H OPEN BASE "T" BOOTHSET FIXTURE | 9 / A8-0 | F32 | STAGE FIXTURE FOR REFERENCE ONLY | - | G8 | PRICE CHECKER ARROW SIGNAGE - GC TO MOUNT TO SIGN AT 10'-0" A.F.F. MIN. G.C. TO PROVIDE UNISTRUT AND POWER | 6, 9 / A11-1 | L20 | WHITE PENDANT FIXTURE, B.O. FIXTURE AT 9'-6" A.F.F. MOUNT TO LIGHT TRACK | SEE ELEC | M1 | TRANSFER GRILLS, PAINT TO MATCH WALL | REP/MECH |
| S4 | (N) STOREFRONT SYSTEM MATCH CASTING CONDITIONS AND FINISHES | 6 / A6-1 | F14 | END PANELS FOR 10'-0" H "T" FIXTURE | 2 / A8-1 | F48 | SHOP DIVIDER FIXTURE | 4 / A8-0 | G9 | HANDICAP FITTING ROOM SIGN @ 5'-0" A.F.F. | 8 / A11-1 | L21 | BLUE PENDANT FIXTURE, B.O. FIXTURE AT 9'-6" A.F.F. MOUNT TO LIGHT TRACK | SEE ELEC | M2 | MECHANICAL DOOR WORK | REP/MECH |
| S19 | 12'-0" X 9'-0" CASED SIGNING MOUNTED TO SIGN | CB-2 | F15 | 10'-0" H "L" BOOTHSET FIXTURE | 2 / A8-0 | F55 | PRICE CHECKER | A8-2 | G43 | FAMOUS JEANS SIGN | 3 / A11-1 | L22 | PEOPLE COUNTER, MOUNT AT 12'-0" A.F.F. | SEE ELEC | M3 | KEY PAD MOUNTED @ 44" MIN. / 48" MAX. A.F.F. | SEE ELEC |
| F1 | MOBILE CASHWRAP UNITS | A8-0 | F17 | 12'-0" H "L" BOOTHSET FIXTURE | 2 / A8-0 | FN13 | STRUCTURAL COLUMN TO BE PAINTED | 1 / A4-2 | G6 | WOOD SLAT GRID TO BE CONSTRUCTED TO FIT WITHIN UNISTRUT GRID. HANG INDEPENDENTLY W/CABLE ATTACHED DIRECTLY TO DECK ABOVE ALIGN METAL FRAME UNISTRUT GRID | 5, 6, 9 / A4-1 | L25 | (N) ILLUMINATED EXIT SIGN | SEE ELEC | M4 | EAS FIN LOCATION | SEE ELEC |
| F2 | FAST LANE | 5 / A6-1 | F21 | 10'-0" H OPEN BASE "L" BOOTHSET FIXTURE | 8 / A8-0 | FN18 | EXPOSED WALLS TO RECEIVE MINIL BASE BSZ | 1 / A10-1 | G6 | ROSE SYSTEM TRACK - MOUNT 8" ABOVE GLAZING, AT 18" AND 27" FROM WINDOW | 10 / A4-1 | L26 | MUSIC SPEAKER - VENDOR TO MOUNT B.O. SPEAKER AT 13'-6" A.F.F. GC TO PROVIDE & INSTALL UNISTRUT | SEE ELEC & 8 / A4-1 | M5 | BACKWRAP CONDUIT TO PROVIDE POWER FOR ALL FIXTURES AT CASHWRAP, VISUAL DISPLAY AREAS, & PROJECTOR. | SEE ELEC |
| F3 | COOLER AND COOLER SHROUD | - | F22 | 10'-0" H OPEN BASE "L" BOOTHSET FIXTURE | 1 / A8-0 | FN19 | GALVANIZED WAINGSCOT 1X2 TO 4'-0" A.F.F. EXTEND 12" BEHIND BOOTHSETS | 1 / A10-1 | G7 | ILLUMINATED EXIT SIGN | SEE ELEC | L27 | 6" LOW EMERGENCY ILLUMINATED STRIP FIXTURE MOUNT TO UNISTRUT AT 2'-9" A.F.F. | SEE ELEC | M6 | ADA PUSH BUTTON DOOR OPERATOR BY LANDLORD, MOUNTED TO BOLLARD WITH T.O. BUTTON AT 48" MAX. | SEE ELEC |

KEY NOTES