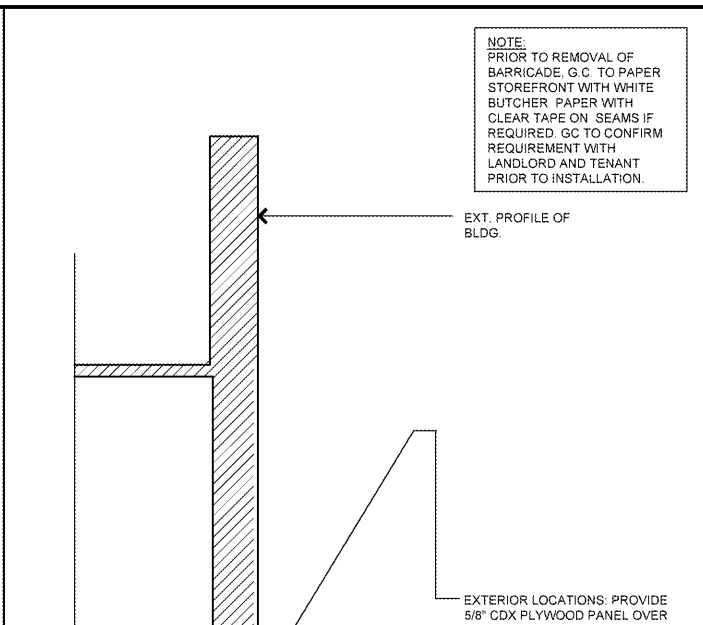
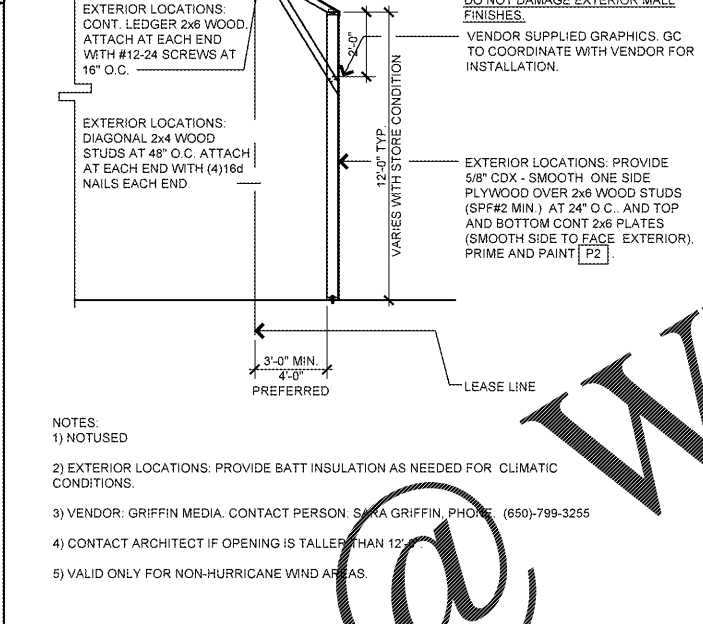


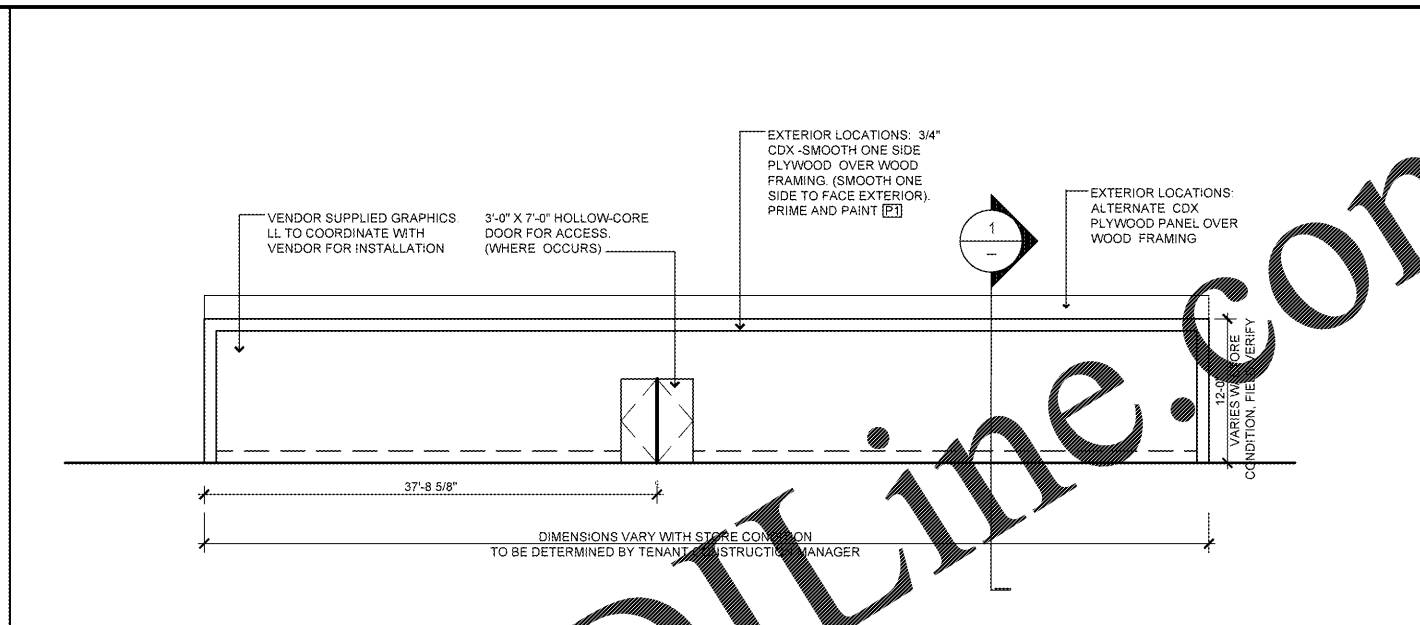
NOT USED SCALE: 12



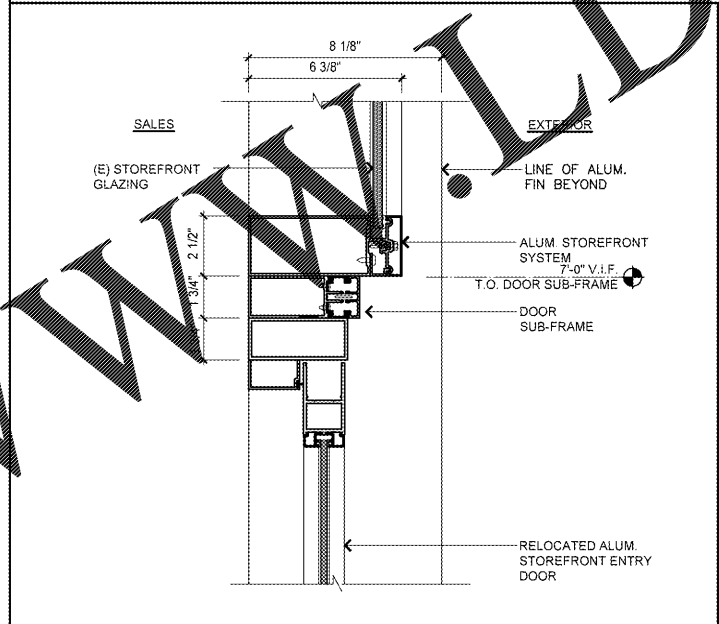
SCALE: 12



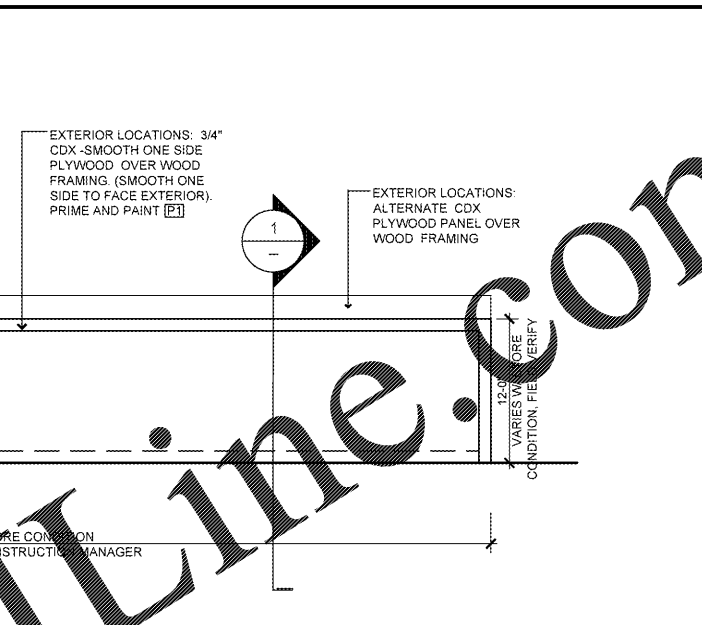
SECTION @ BARRICADE SCALE: 1/4" = 1'-0" 8



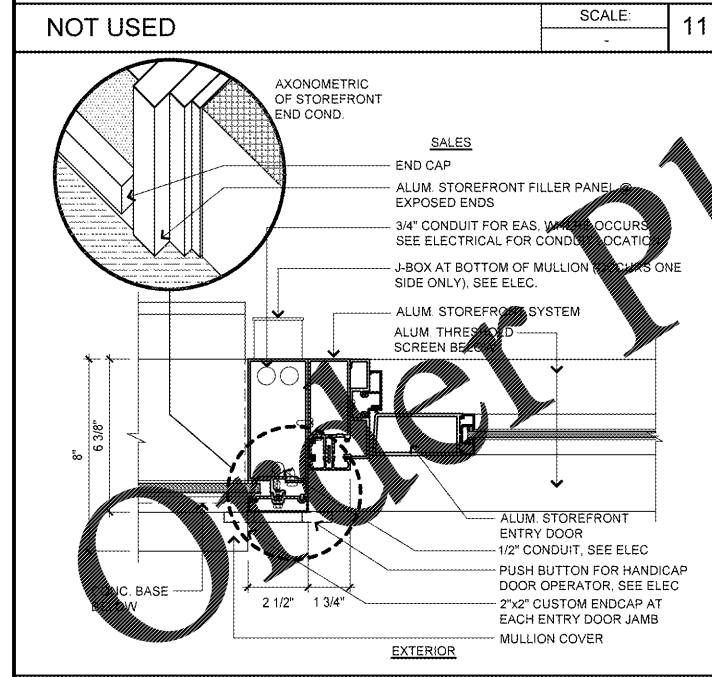
SCALE: 6" = 1'-0" 3



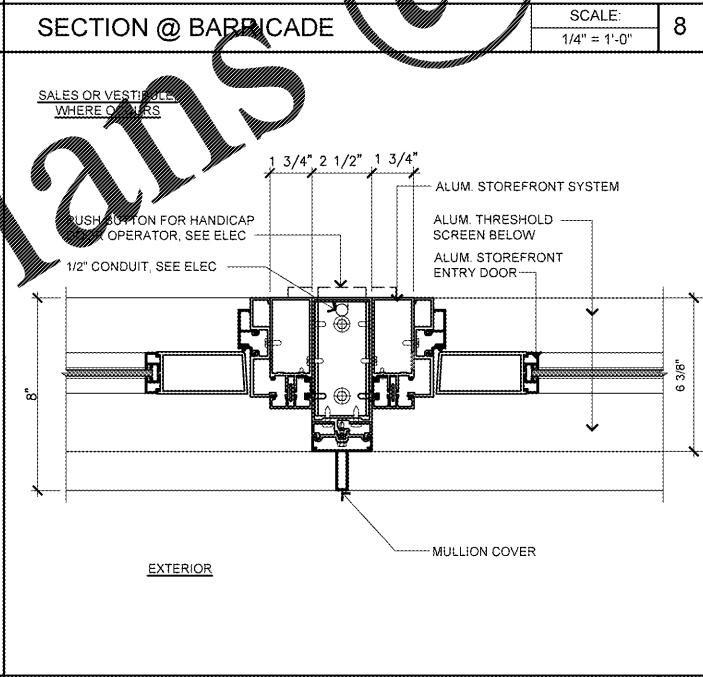
ENTRY DOOR HEAD SCALE: 3" = 1'-0" 5



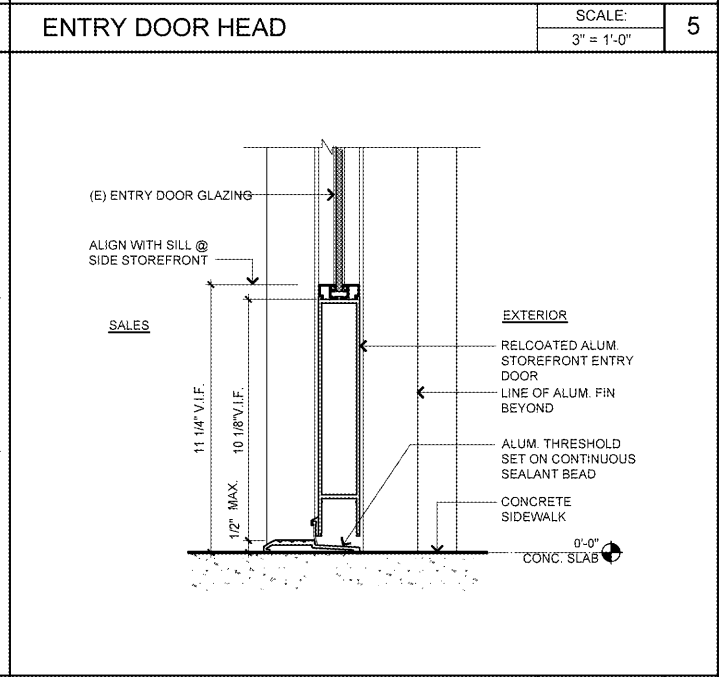
SCALE: 6" = 1'-0" 2



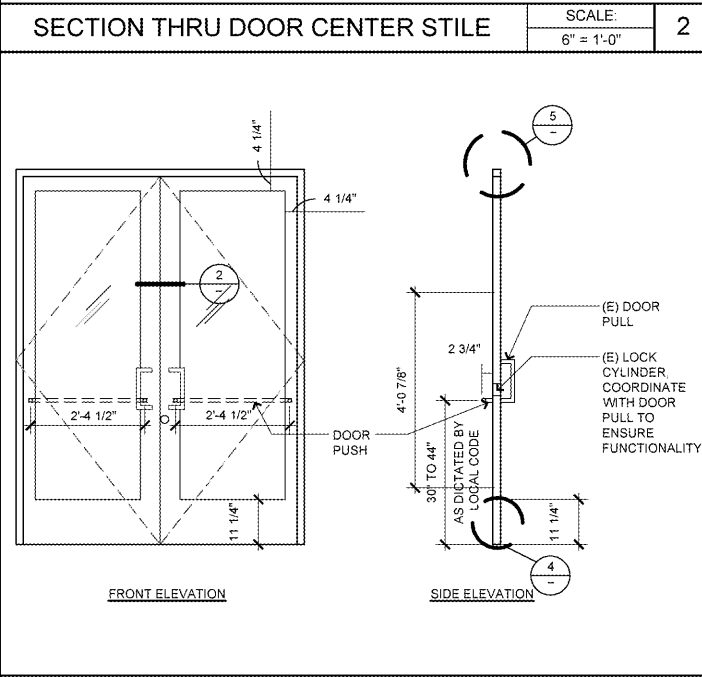
ENTRY DOOR JAMB SCALE: 3" = 1'-0" 10



ENTRY DOOR JAMB SCALE: 3" = 1'-0" 7



ENTRY DOOR SILL SCALE: 3" = 1'-0" 4



ENTRY DOOR PUSH / PULL SCALE: 1/2" = 1'-0" 1

REMODEL STORE

**OLD NAVY**

REP. I.D.: 00000131847

STORE NUMBER: 5724

STORE LOCATION: BUCKHEAD STATION  
1 BUCKHEAD LOOP NE  
ATLANTA, GA 30326

DESIGN TYPE: P3  
GENERATION: 18012  
PROTOTYPE DATE: 08/31/17  
OPENING: 2018

CONSULTANT INFO:

PROFESSIONAL STAMP:

ARCHITECT INFO:  
**brr**  
ARCHITECT OF RECORD:  
BOYD W. RAU  
6700 ANTIPOCH PLAZA  
SUITE 300  
MERRIMAN, AS 66204  
www.brrarch.com  
TEL: 913-262-9095  
FAX: 913-262-9044

ISSUE TYPE:  
BID/PERMIT 01/05/18

REVISIONS:

DRAWN BY: CAR  
AVE JOB NUMBER: 65013029

TITLE SHEET:  
EXTERIOR DOOR  
SCHEDULES, HARDWARE &  
DETAILS

SHEET NUMBER:  
**C0-2A**