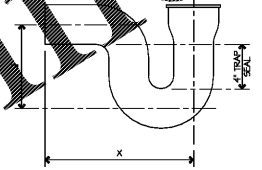
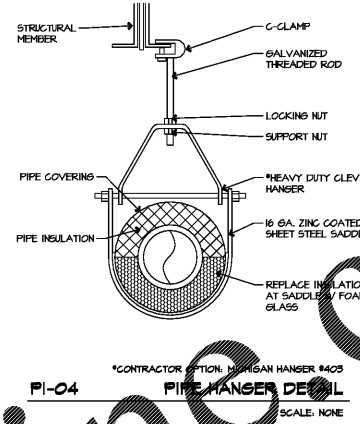
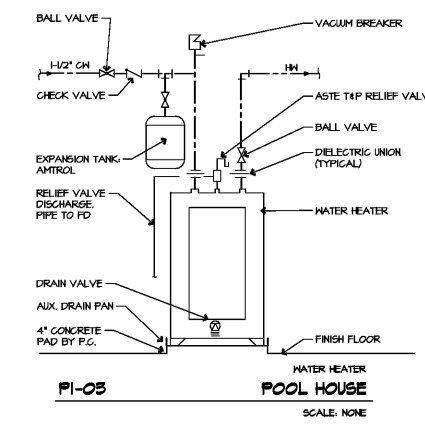
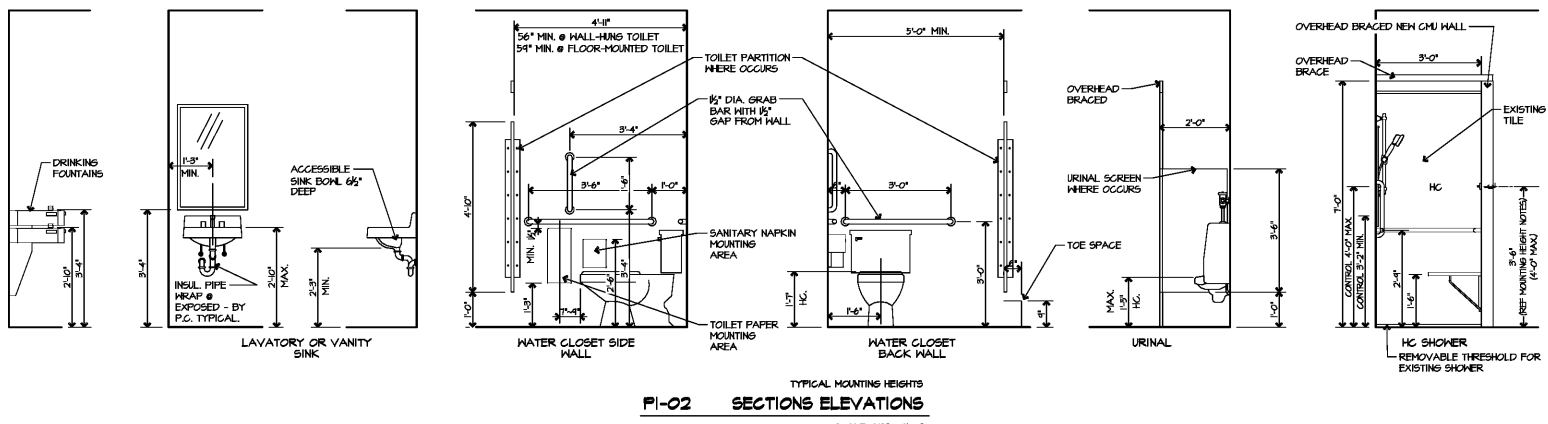


PUBLICATION OR REVISION OF THESE DRAWINGS OR ANY DETAIL THEREFROM SHALL BE WITH THE WRITTEN CONSENT OF THE ARCHITECT



SIZE	X	J
2	9 1/2"	6
3	12	7
4	14	8

PI-05 MINIMUM TRAP DIMENSIONS
SCALE: NONE

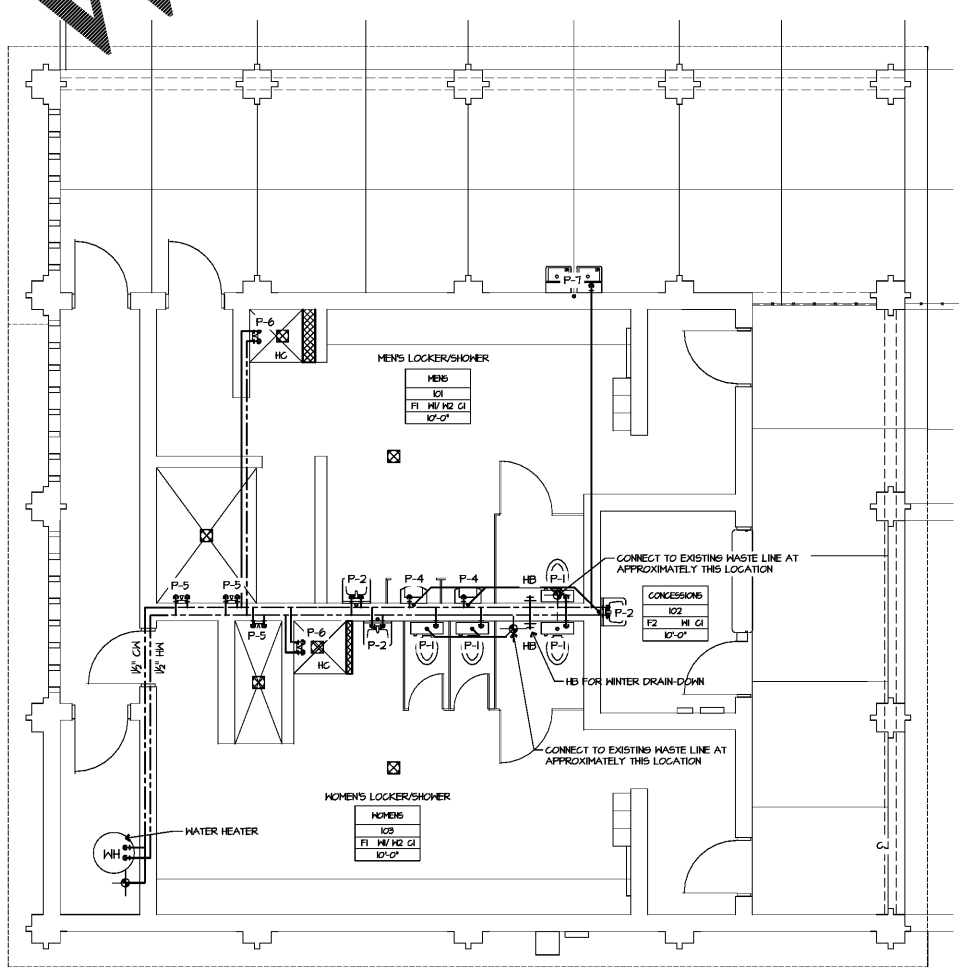
PLUMBING SPECIALTIES SCHEDULE				
SYM	DESCRIPTION	MODEL NUMBER		REMARKS
NH	WATER HEATER	A.O. SMITH HFTU-66N - 66 GAL. CAPACITY 208/240 VAC 60HZ SINGLE PHASE 30 AMP W/ DUCTED VENTING PER MANUFACTURERS SUGGESTIONS.		
HB	HOSE BIBB	MOODFORD #24 WITH LOOSE KEY CHROME PLATED, VACUUM BREAKER.		

EQUALS BY ZURN, JAY R SMITH, MADE, KENMORE, RINNAI, RHEEM.

PLUMBING FIXTURE SCHEDULE							
SYM	DESCRIPTION	GH	HN	H	V	MODEL NUMBER	REMARKS
P-1	WATER CLOSET (TANK TYPE)	1/2"	-	4"	2"	KOHLER "MELNORTH" K-9418-T (TANK COVER LOCKS), K-1631 ANGLE SUPPLY, BENEKE 52759 SEAT	4, 5, 6
P-2	WATER CLOSET (TANK TYPE) (HDCP)	1/2"	-	4"	2"	KOHLER "HIGHLINE" K-9414-T (TANK COVER LOCKS), K-1631 ANGLE SUPPLY, BENEKE 52759 SEAT	4, 5, 6
P-3	LAVATORY (HALL)	1/2"	1/2"	2"	2"	KOHLER "HUDSON" K-2861, SLOAN SF-2850-BDM FAUCET, K-1601 SUPPLY, K-8488 TRAP, K-1129-A DRAIN.	1, 2, 3, 7
P-4	URINAL	3/4"	-	2"	2"	KOHLER "DEXTER" K-5018-ET W/ SLOAN OPTIMA B186-110 FLUSH VALVE.	1, 3, 5
P-5	SHOWER TRIM	1/2"	1/2"	-	-	SYMMONS HYDRAPIPE I-8035 W/FIXED, VANDAL PROOF SHOWER HEAD, SOAP DISH, DRAINAGE PLUGS, PRESSURE BALANCED VALVES	4
P-6	SHOWER TRIM HANDICAP	1/2"	1/2"	-	-	SYMMONS HYDRAPIPE I-8035 W/FIXED, VANDAL PROOF SHOWER HEAD, SOAP DISH, DRAINAGE PLUGS, PRESSURE BALANCED VALVES, HAND SPRAY W/ HOSE & SLIDE BAR	4
P-7	WATER COOLER	1/2"	-	2"	2"	ELKAY EDFF217FG W/MP20 MOUNTING PLATE PROVIDE STOP & TRAP. (VANDAL RESISTANT)	8

- SEE ARCHITECTURAL PLANS FOR EXACT LOCATION AND MOUNTING HEIGHTS OF ALL FIXTURES.
- PROVIDE TRIPLESS MODEL 122 INSULATION KIT, FIBERGLASS MODEL FRC-2000 OR MCGUIRE FHV902 PREHARRASSED CAST P-TRAP ASSEMBLY KIT ON ALL HANDICAP ACCESSIBLE LAVATORIES AND/OR SINKS.
- EQUAL CHINA FIXTURE BY AMERICAN STANDARD, ZURN & SLOAN.
- EQUAL TOILET SEAT BY BENEKE, OLSONITE & BENEKE.
- EQUAL FLUSH VALVES BY ZURN & TOTO.
- FLUSH VALVE MECHANISM SHALL BE LOCATED OPPOSITE OF HAND RAIL AS PER ADA REQUIREMENT.
- EQUAL FAUCETS BY SYMMONS, CHICAGO FAUCETS, DELTA, MOEN & AMERICAN STANDARD.
- EQUAL DRINKING FOUNTAIN BY HALSEY TAYLOR, SUNROC, HANS & GARDIS.
- PROVIDE COVER EXTENSIONS AS NECESSARY TO HIDE PIPES TO CEILINGS.

PLUMBING LEGEND		
SYMBOL	ABBREVIATION	DESCRIPTION
---	CH	COLD WATER
---	HN	HOT WATER
---	H	WASTE
---	V	VENT
⊥	VTR	VENT THRU ROOF
⊙	FCO, YCO	FLOOR & YARD CLEANOUTS
⊕		BALL VALVE
⊖		CHECK VALVE
⊕⊖		UNION
⊕⊖⊕		PRESSURE REDUCING VALVE
⊕	FPH	FROST PROOF HYDRANT
⊕	HB	HOSE BIBB
⊕	F.D.	FLOOR DRAIN
⊕		VACUUM BREAKER
⊕		CONNECT TO EXISTING



**POOL HOUSE
PLUMBING
FLOOR
PLAN**
PLUMBING SCHEDULE
NOTES
DETAILS

**ROYAL GIANTS
PARK - 2017
RENEWAL PROJECT**
200 ROBINSON ROAD
EAST SPENCER, NC 28039



- ALL CH & HN PIPING SHALL BE INSULATED - MINIMUM INSULATION THICKNESS FOR ALL WATER PIPING IS 1" MIN. TYPICAL.
- CONNECT TO EXISTING VENT THRU ROOF