

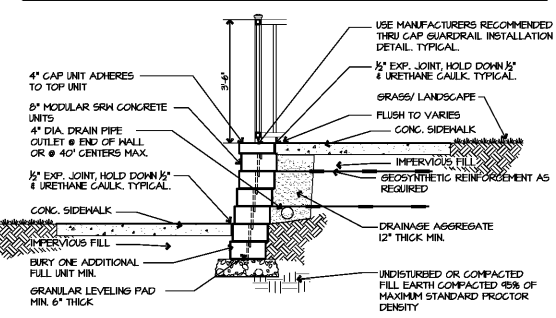
PUBLICATION OR REVISION OF THE DRAWINGS OR ANY DETAIL SHALL BE WITH THE WRITTEN CONSENT OF THE ARCHITECT

**PARKING/PLAYGROUND LAYOUT**  
 PLANTING SCHEDULE  
 SITE DETAILS  
 SEEDING / PLANTING SPECIFICATIONS

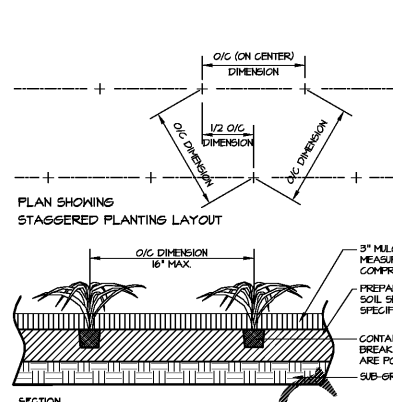
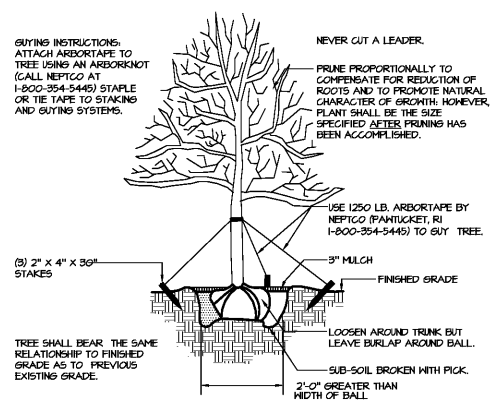
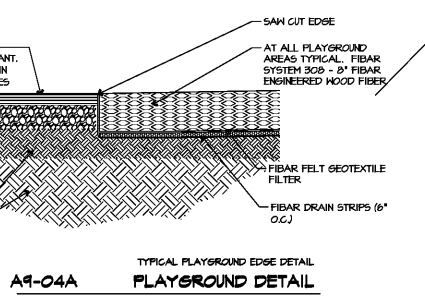
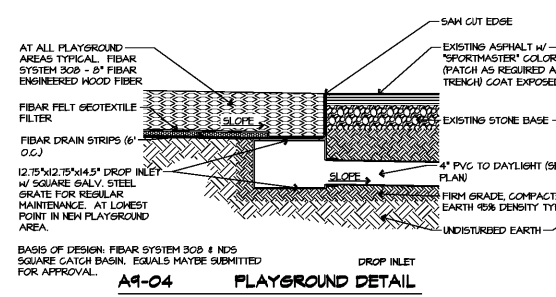
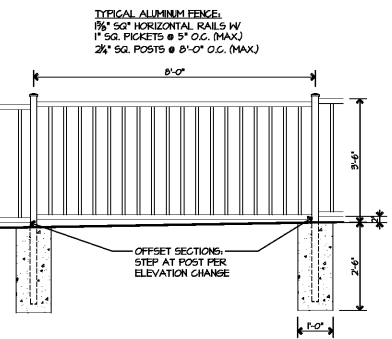
**ROYAL GIANTS PARK - 2017 RENEWAL PROJECT**  
 200 ROBINSON ROAD  
 EAST SPENCER, NC 28039



**BASIC DESIGN: VERSA-LOK (OR APPROVED EQUALS) - STANDARD SYSTEM - GREY. BASE UNITS 16"X16"X12" DEEP AND CAP UNITS 16"X16"X3"X12" DEEP. INCORPORATE MANUFACTURERS RECOMMENDED INSTALLATION DETAILS. DETAILS INCLUDE ALL REFERENCED MATERIALS, DRAIN STONE GRANULAR, FIBER FIBER, GEOSYNTHETIC REINFORCEMENT, FIBER, ADHESIVES & RELATED ITEMS NEEDED FOR COMPLETE FINISHED RETAINING WALL SYSTEM. INSTALL ALL ITEMS FOR COMPLETE RETAINING WALL SYSTEM WHERE SHOWN OR NOT ON DRAWINGS.**



**NOTE: TYPICAL EXTERIOR FENCE, INCLUDING POSTS, PICKETS AND MOUNTING BRACKETS TO BE SHOP PRIMED AND ELECTROSTATIC PAINTED FINISH TYPICAL.**



**SEEDING SPECIFICATION**

SEEDING MIXTURE	RATE (lb/acre)
TALL FESCUE	80
SERICEA LESPEDEZA	20
KOBE LESPEDEZA	10

**SEEDING NOTES:**  
 AFTER AUG. 15 USE UNSCARIFIED SERICEA SEED. WHERE PERIODIC MOWING IS PLANNED OR A NEAT APPEARANCE IS DESIRED, OMIT SERICEA AND INCREASE KOBE LESPEDEZA TO 40 LB/ACRE. TO EXTEND SPRING SEEDING DURATION TO LATE WINTER, ADD 1 LB/ACRE MULLED BERMUDAGRASS. HOWEVER, AFTER APR. 15 IT IS PREFERABLE TO SEED TEMPORARY COVER.

**MULCH PLANTS:**  
 BETWEEN MAY 1 AND AUG. 15, 10 LB/ACRE BERMUDAGRASS OR 15 LB/ACRE BERMUDAGRASS. PRIOR TO MAY 15, AFTER APR. 15, 15 LB/ACRE BERMUDAGRASS (GRASS).

**SEEDING DATES:**

FALL:	BEST:	MINIMUM:	DATE:
			AUG. 25 - SEP. 15
			AUG. 25 - OCT. 25
			LATE WINTER: FEB. 15 - MAR. 21
			FEB. 1

FALL IS BEST FOR ALL BERMUDAGRASS AND LATE WINTER FOR LESPEDEZAS. OVERSEEDING OF BERMUDAGRASS OVER MULLED BERMUDAGRASS IS VERY DESIRABLE.

**SOIL PREPARATION:**  
 APPLY 1000 LB/ACRE FERTILIZER ACCORDING TO SOIL TESTS, OR APPLY 4000 LB/ACRE GROUND AGRICULTURAL LIMESTONE AND 1000 LB/ACRE 10-10-10 FERTILIZER.

**MULCH:**  
 APPLY 1000 LB/ACRE STRAW OR EQUIVALENT COVER OF ANOTHER SUITABLE MULCH. ANCHOR STRAW BY TACKING WITH ASPHALT, NETTING OR ROVING, OR BY CRIMPING WITH A MULCH ANCHORING TOOL. A DISC WITH BLADES SET NEARLY STRAIGHT CAN BE USED AS A MULCH ANCHORING TOOL.

**MAINTENANCE:**  
 REFER FERTILIZER IN THE SECOND YEAR UNLESS GROWTH IS FULLY ADEQUATE. RESEED, FERTILIZE, AND MULCH DAMAGED AREAS IMMEDIATELY.

REFERENCE: TABLE 6.1.1 FROM NC EROSION AND SEDIMENT CONTROL PLANNING AND DESIGN MANUAL, LATEST EDITION.

**PLANTING NOTES**

KEY LETTERS REFER TO PLANT LIST. WHERE KEY LETTERS ARE CONNECTED TO A SINGLE PLANT, THE QUANTITY IS ONE.

PLANTING FOR PROPOSED PLANTINGS AND TREES CAN BE ESTABLISHED BY USING SPECIFIC DIMENSIONS TAKEN FROM PLANTING PLAN. USE WALKS, DRIVES, BUILDINGS, ETC. AS GUIDELINES.

ALL PLANTINGS SHALL BE COMPACT, UNIFORM AND WELL GROWN. PLANTS SHALL NOT BE LOOSE, DAMAGED OR DEFECTIVE.

ALL AREAS DISTURBED BY GRADING OPERATIONS SHALL BE RESEEDING.

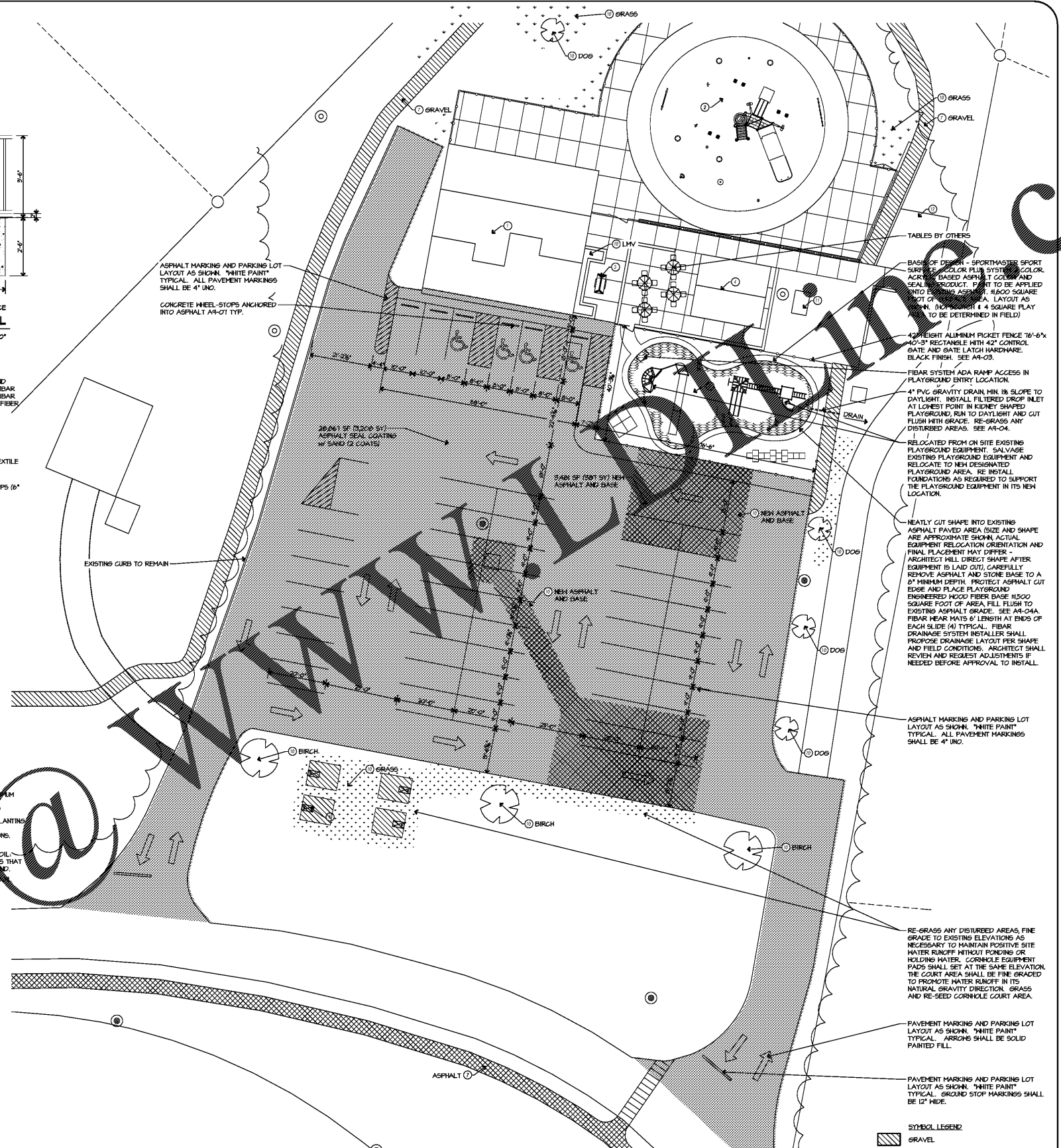
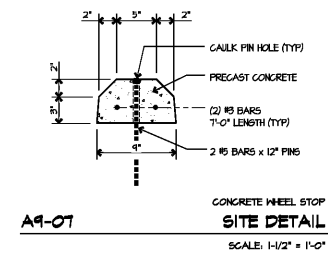
ALL PLANTING BEDS SHALL RECEIVE A MINIMUM OF 3" APPROVED MULCH.

PROPOSED TREES SHALL BE PRUNED AS REQUIRED.

ALL PLANTS SHALL MEET OR EXCEED THE MINIMUM STANDARDS SET FORTH IN THE AMERICAN STANDARD FOR NURSERY STOCK BY THE AMERICAN ASSOCIATION OF NURSERYMEN, INC., WASHINGTON, D.C.

REFERENCE: A1-02 FOR SITE PLAN. #10 - PLANTING IS SHOWN ON MULTIPLE SHEETS. REFERENCE ALL DRAWINGS FOR PLANTING LAYOUT AND COUNTS.

PLANTING LEGEND/SCHEDULE	SIZE/ SPACING
ORNAMENTAL TREE	DOG - WHITE DOGWOOD
SHADE TREE	BIRCH - PAPERBARK BIRCH
GROUND COVER	LMY - VARIAGATED LIRIOPE (LIRIOPE MUSCARI VARIAGATED) w/ PLANTING BED
	NEW SEEDED GRASS RE-GRASS ALL DISTURBED AREAS.



**SYMBOL LEGEND**

- GRAVEL
- NEW ASPHALT
- ASPHALT SEAL COATINGS

**A9-01 PARKING/PLAYGROUND LAYOUT**  
 SCALE: 1/8" = 1'-0"