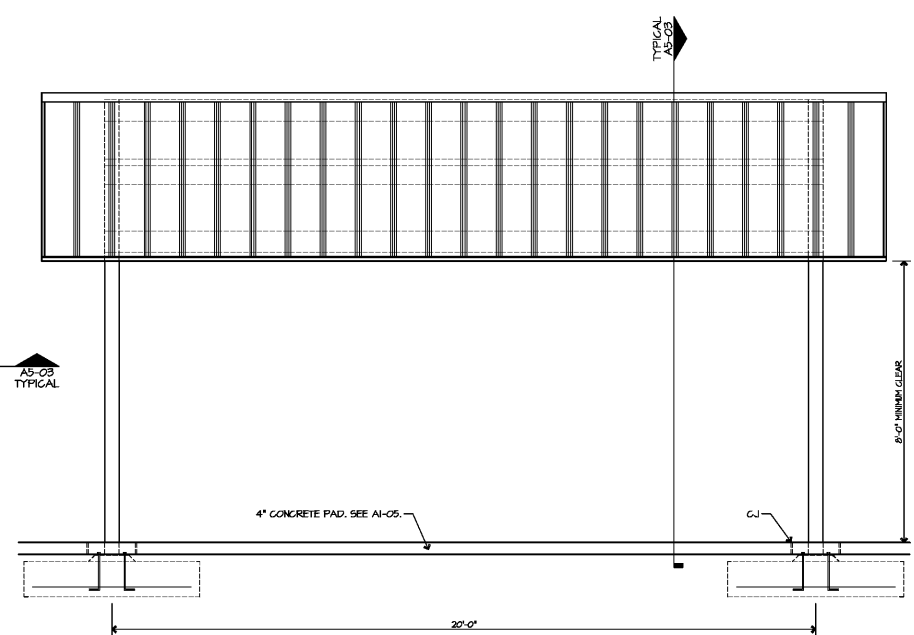
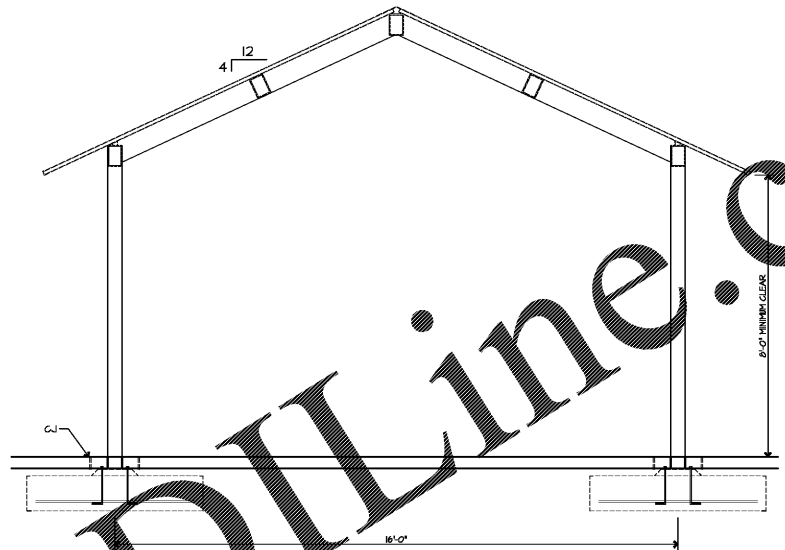


1
A5
**PLAN
SHELTER**
SCALE: 1/2" = 1'-0"



2
A5
**ELEVATION
SHELTER**
SCALE: 1/2" = 1'-0"

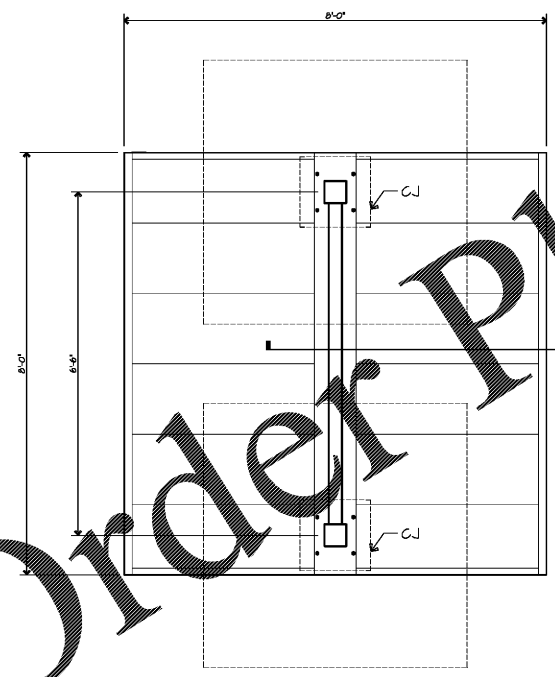


3
A5
**SECTION
SHELTER**
SCALE: 1/2" = 1'-0"

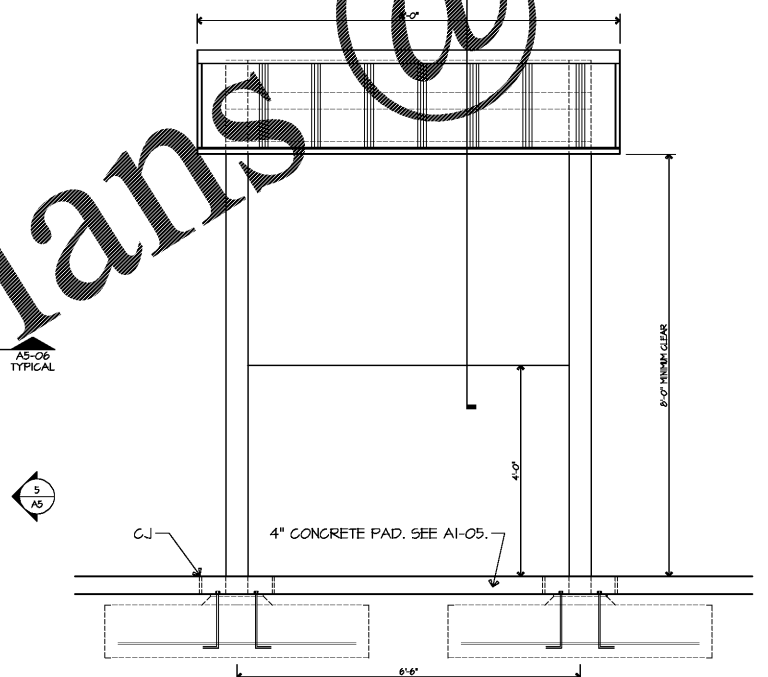
**PRE-ENGINEERED STRUCTURES NOTES - TYPICAL
STANDARD DESIGN CRITERIA:**
WIND LOAD: 90 MPH
SNOW LOAD: 20 LBS/SQF
*IF WIND AND SNOW LOADS EXCEED THE ABOVE, THE STRUCTURE WILL BE DESIGNED TO WITHSTAND LOCAL
WIND AND SNOW LOADS

ASTM HARDWARE: A325 BOLTS, A563 NUTS & F1554 6R36 ANCHORS
ASTM PLATES: A50
WELDING: AWS STANDARD AND E7018 ELECTRODES ALL WELDS PERFORMED BY AWS CERTIFIED WELDERS
INSTALLATION: PROPER FIELD INSTALLATION OF ALL SHELTER COMPONENTS IS THE RESPONSIBILITY OF THE
CONTRACTOR.

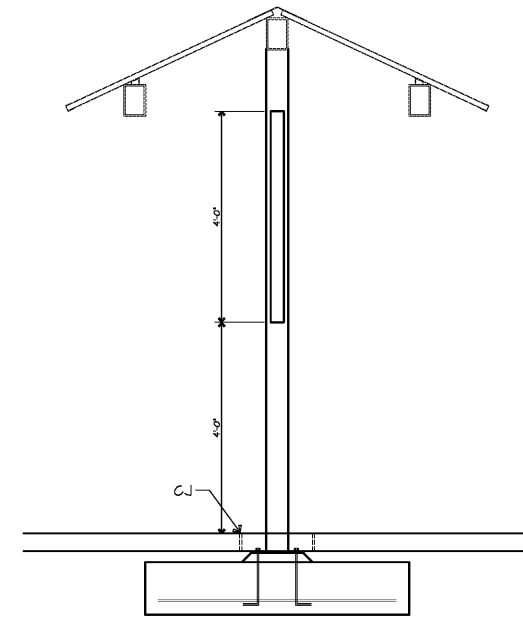
FOOTINGS SHALL BE SEALED BY N.C. REGISTERED ENGINEER, SIZED FOR EACH PRE-ENGINEERED ITEM
INDICATED ON SITE. INSTALLATION OF FOOTINGS, DEPTHS, SIZES AND REINFORCING SHALL BE PERFORMED BY
ENGINEER'S DESIGN AND INCLUDED IN BASE BID WORK. FOOTING SIZES SHOWN ARE FOR REFERENCE ONLY
ACTUAL SIZES SHALL BE DETERMINED FROM PRE-ENGINEERED BUILDING REACTIONS AND EXISTING SITE
CONDITIONS. COORDINATE WITH CONCRETE PAD (FINISH GRADE) ELEVATIONS TO ENSURE ADEQUATE SUPPORT
AND CLEARANCE FOR CONCRETE SLAB PAD. SEE SHEET A3 FOR GRADE SHEET AND FINISH ELEVATIONS.
COORDINATE "CJ" CONSTRUCTION JOINTS W/ LAYOUT.



4
A5
**PLAN
INFORMATION KIOSK**
SCALE: 3/4" = 1'-0"



5
A5
**ELEVATION
INFORMATION KIOSK**
SCALE: 3/4" = 1'-0"



6
A5
**SECTION
INFORMATION KIOSK**
SCALE: 3/4" = 1'-0"

**PRE ENGINEERED
SHELTER &
INFO. KIOSK
SHEET**
PLANS & SECTIONS
ELEVATION
NOTES

**ROYAL GIANTS
PARK - 2017
RENEWAL PROJECT**
200 ROBINSON ROAD
EAST SPENCER, NC 28039

