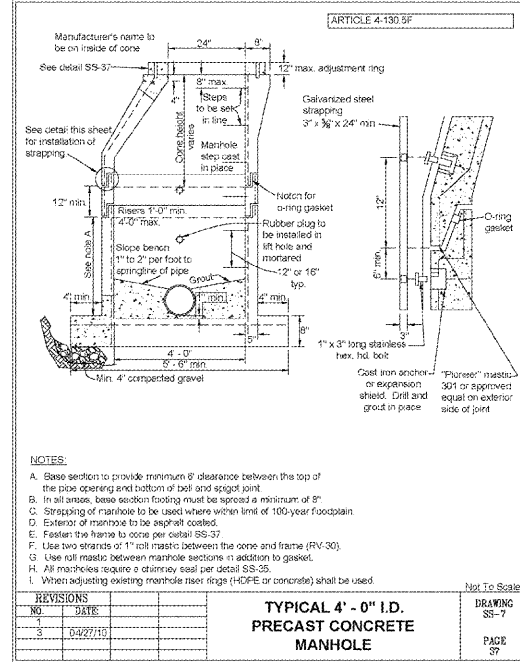
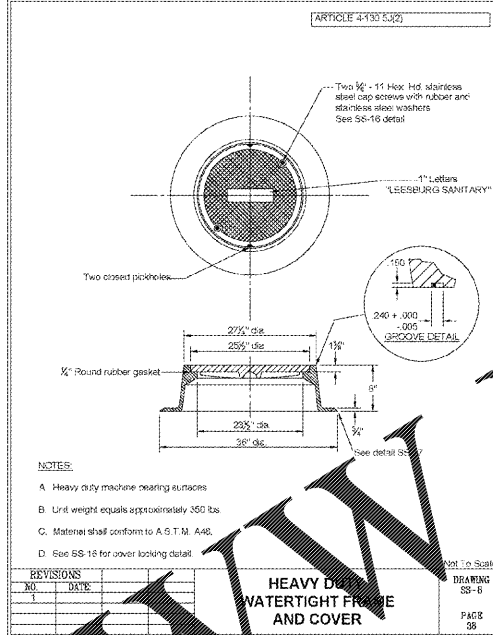


Order Plans @ WWW.LDILine.com

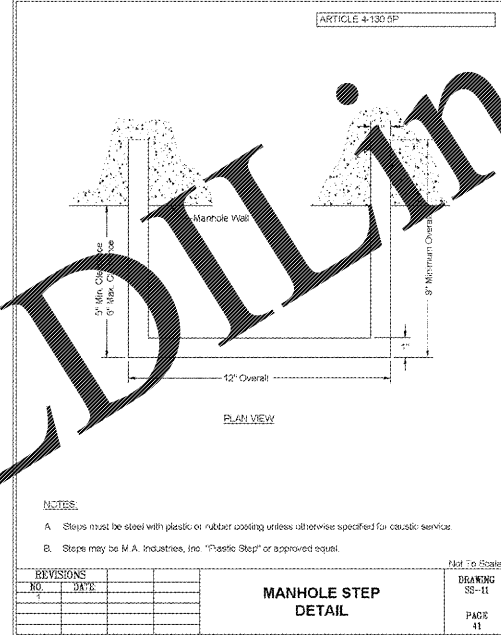
The Town of Leesburg in Virginia DESIGN AND CONSTRUCTION STANDARD



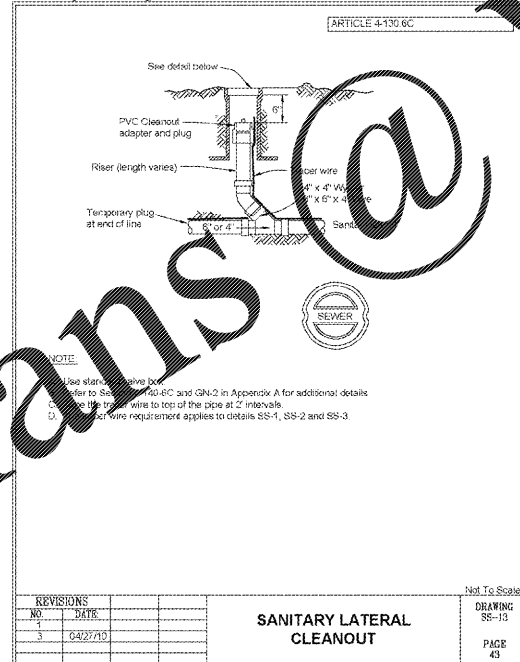
The Town of Leesburg in Virginia DESIGN AND CONSTRUCTION STANDARD



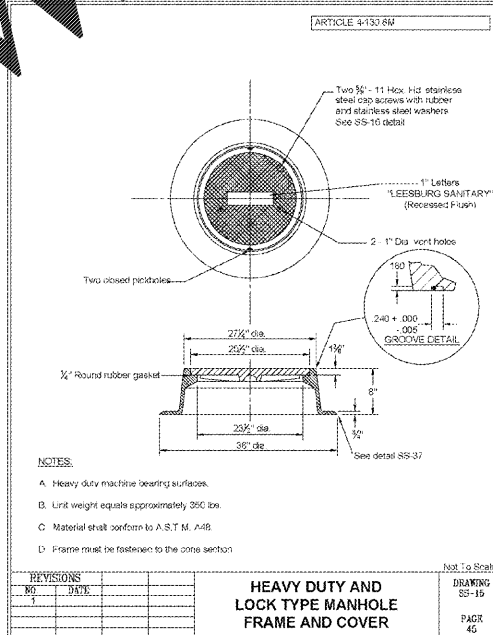
The Town of Leesburg in Virginia DESIGN AND CONSTRUCTION STANDARD



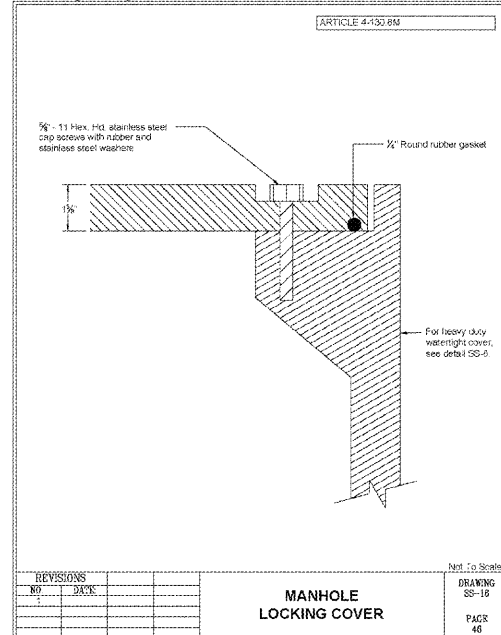
The Town of Leesburg in Virginia DESIGN AND CONSTRUCTION STANDARD



The Town of Leesburg in Virginia DESIGN AND CONSTRUCTION STANDARD



The Town of Leesburg in Virginia DESIGN AND CONSTRUCTION STANDARD



REVISIONS	BY
△	REVISED PER COUNTY AND TOWN COMMENTS
△	REVISED PER COUNTY AND TOWN COMMENTS
△	REVISED PER COUNTY AND TOWN COMMENTS
△	REVISED PER COUNTY AND TOWN COMMENTS

BOHLER ENGINEERING

22636 DAVIS DRIVE, SUITE 260
STERLING, VIRGINIA 20154

Phone: (703) 709-6500
Fax: (703) 709-6501
VA@BohlerEng.com

REVISIONS	NO.	DATE
1		

TOWN OF LEESBURG DETAILS
WALMART SUPERCENTER #1904-005 - SPAM #1
CATOCTIN ELECTION DISTRICT
LEESBURG, LOUDOUN COUNTY, VA
WAL-MART STORES, INC.
BENTONVILLE, AR

REVISIONS	NO.	DATE
1		

DRAWN
CHKD
CHECKED
MJB
DATE
12/22/16
SCALE
AS SHOWN
JOB NO.
S148200
SHEET

D-10

SHEET 67 OF 103