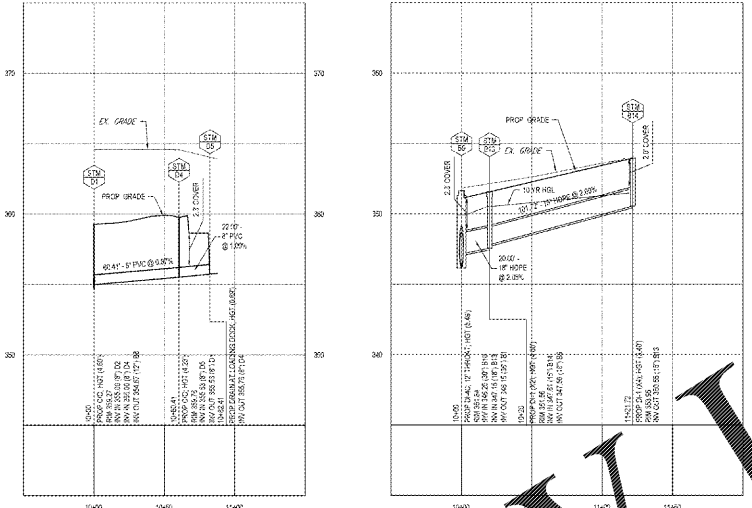
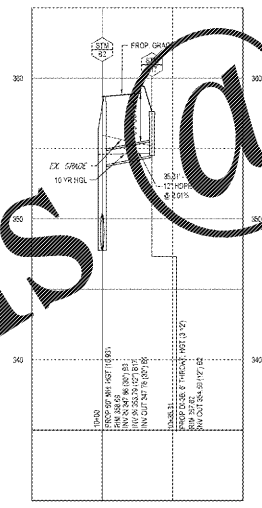


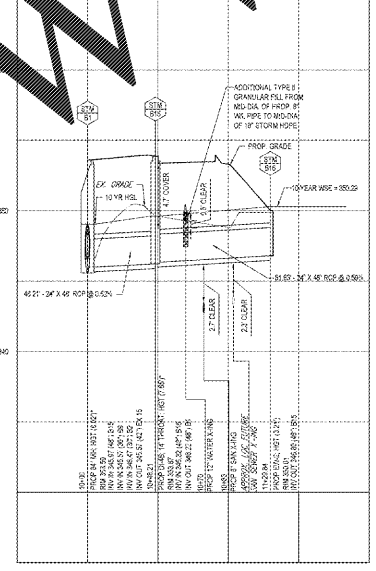
Order Plans @ WWW.LDOnline.com



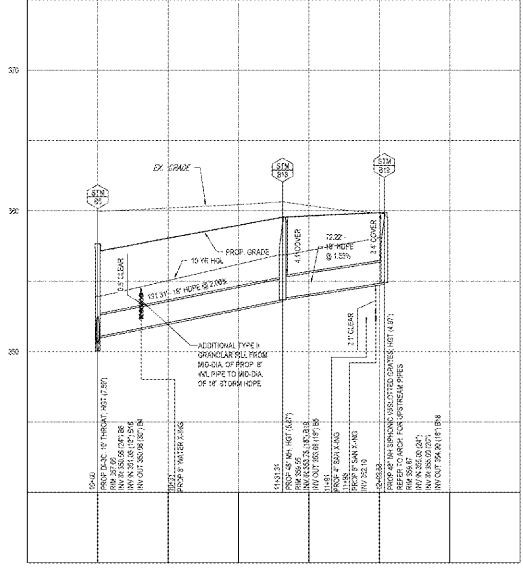
STORM PROFILE D1 TO D5
SCALE: 1" = 40' HORIZONTAL
1" = 4' VERTICAL



STORM PROFILE B2 TO B7
SCALE: 1" = 40' HORIZONTAL
1" = 4' VERTICAL



STORM PROFILE B1 TO B16
SCALE: 1" = 40' HORIZONTAL
1" = 4' VERTICAL



STORM PROFILE B5 TO B19
SCALE: 1" = 40' HORIZONTAL
1" = 4' VERTICAL

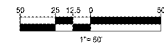
ROOF DRAIN SCHEDULE

FROM	UPPER INVERT	PIPE NO.	LENGTH	SIZE	SLOPE	LOWER INVERT	TO
BLDG 3	353.900	RD-1	4.80	4"	2.12%	354.600	CD18
CD13	356.800	RD-2	34.88	4"	2.88%	356.170	CD12
CD12	356.000	RD-3	39.25	6"	1.05%	355.300	CD11
CD11	355.500	RD-4	32.08	6"	1.11%	355.000	CD10
CD10	355.000	RD-5	40.32	6"	1.45%	354.300	CD9
CD9	354.300	RD-6	24.36	6"	1.30%	353.900	CD8
CD8	353.900	RD-7	48.51	6"	1.40%	352.900	CD7
CD7	352.900	RD-8	40.30	6"	1.46%	352.500	CD6
CD6	352.500	RD-9	49.42	6"	1.40%	351.800	CD5
CD5	351.800	RD-10	63.38	6"	1.48%	351.000	CD4
BLDG 2	357.000	RD-11	4.59	4"	4.38%	357.000	CD17
BLDG 1	357.000	RD-12	3.54	4"	4.81%	357.000	CD16
BLDG 4	351.000	RD-13	1.66	4"	2.17%	350.900	CD5
CD5	350.900	RD-14	3.2	4"	2.10%	350.170	CD4
CD4	350.170	RD-15	3.0	4"	1.09%	349.480	CD3
CD3	349.480	RD-16	5.1	6"	1.04%	348.840	CD2
CD2	354.840	RD-17	45.7	6"	2.97%	351.490	CD1
CD1	351.490	RD-18	73.33	6"	2.61%	351.500	CD
BLDG 5	350.000	RD-19	4.67	4"	4.27%	350.800	CD4
CD4	350.800	RD-20	4.58	4"	4.27%	350.800	CD3

CANON DRAIN SCHEDULE

FROM	UPPER INVERT	PIPE NO.	LENGTH	SIZE	SLOPE	LOWER INVERT	TO
CD17	357.000	CD-1	17.00	4"	2.12%	356.840	CD17
CD16	356.840	CD-2	24.00	4"	2.26%	356.340	CD16
CD15	356.340	CD-3	24.00	4"	2.26%	355.840	CD15
CD14	355.840	CD-4	15.00	4"	3.80%	355.300	CD14
CD13	355.300	CD-5	76.87	4"	2.26%	350.660	CD13
CAN2	357.990	CD-6	17.00	4"	3.42%	357.000	CD16
CAN3	356.700	CD-7	17.00	4"	6.88%	357.000	CD16
CAN1	358.430	CD-8	2.00	4"	2.50%	358.580	CD19
CD19	358.580	CD-9	9.00	4"	2.11%	355.190	CD18
CD18	355.190	CD-10	15.00	4"	7.92%	357.000	CD14

NOTE:
*CONTRACTOR TO COORDINATE WITH SUPPLIER FOR PRECAST STRUCTURE WITH BOX CULVERT CONNECTION.
ALL STORM DRAIN PIPES TO BE HOPE UNLESS NOTED OTHERWISE. SEE SHEET D-1 FOR SPECIFICATIONS. HOPE TO MEET VDOT SPECIFICATIONS.



REVISIONS

NO.	DATE	BY	DESCRIPTION
1			REVISED PER COUNTY AND TOWN COMMENTS
2			REVISED PER COUNTY AND TOWN COMMENTS
3			REVISED PER COUNTY AND TOWN COMMENTS
4			REVISED PER COUNTY AND TOWN COMMENTS
5			REVISED PER COUNTY AND TOWN COMMENTS

BOHLER ENGINEERING
22636 DAVIS DRIVE, SUITE 260
STERLING, VIRGINIA 22154
Phone: (703) 709-6500
Fax: (703) 709-6501
VA@BohlerEng.com

STORM PROFILES
WALMART SUPERCENTER #1904-005 - SPAM #1
CATOCTIN ELECTION DISTRICT
LEESBURG, LOUDOUN COUNTY, VA
WAL-MART STORES, INC.
BENTONVILLE, AR

DRAWN	DRS
CHECKED	
M.I.B.	
DATE	
SCALE	
AS SHOWN	
JOB NO.	S148200
SHEET	C-25

SHEET 28 OF 103