

ISSUE BLOCK

DATE	DESCRIPTION
07/11/2017	

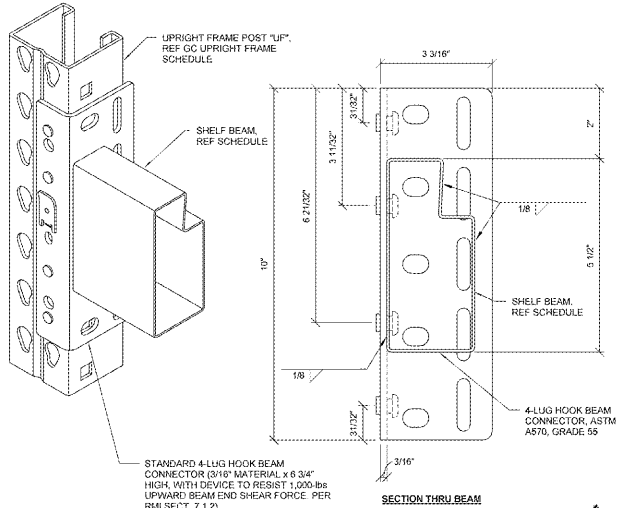
CHECKED BY: DGH
 DRAWN BY: BWN
 PROTO CYCLE: 04/28/17
 DOCUMENT DATE: 09/13/17
 JBA PROJECT NO: 96601904R

BID SET NOT FOR CONSTRUCTION

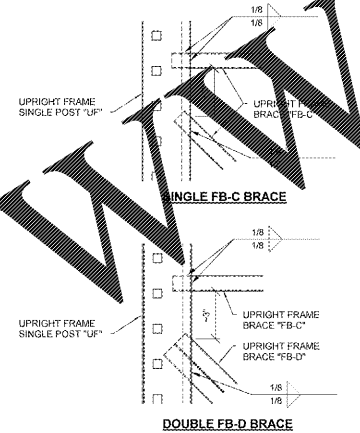
GARDEN CENTER RACK FRAMING DETAILS

SHEET: **FXS4**

WWW.LDILine.com



6 UPRIGHT FRAME "UF" POST TO SHELF BEAM CONNECTION
 8" x 1'-0"



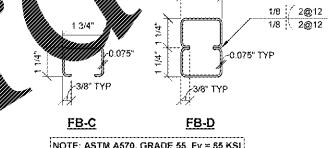
5 UPRIGHT FRAME - HORIZ/DIAGONAL BEAM-TO-POST CONNECTION DETAILS
 3" x 1'-0"

GARDEN CENTER RACK FIXTURE SHELF SCHEDULE

FIXTURE MARK	TOP SHELF HEIGHT	FRAME HEIGHT (H)	RACK FIXTURE SHELF BEAM					
			BEAM MARK	BEAM SPAN (L)	H1	H2	H3	H4
GC2	144"	192"	BEAM - SB-C	51"	72"	72"	0"	0"
GC2	144"	192"	BEAM - SB-C	102"	72"	72"	0"	0"
GC3	144"	192"	BEAM - SB-C	102"	48"	48"	48"	0"

GARDEN CENTER RACK UPRIGHT FRAME SCHEDULE

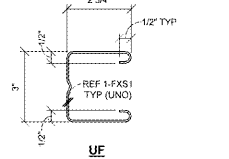
FRAME MARK	FRAME DEPTH (B)	FRAME HEIGHT (H)	POST TYPE	BASE PLATE TYPE	HORIZ/DIAG FRAME BRACE				
					TYP BRACE TYPE	D1	D2	D3	D4
44-152-125F	44"	192"	POST: UF-125	GC BASE: BP-4F	BRACE: FB-C	44"	44"	48"	48"



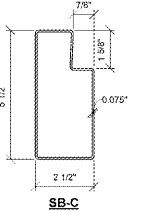
4 UPRIGHT FRAME BRACE SECTIONS
 4" x 1'-0"

GARDEN CENTER POST SCHEDULE

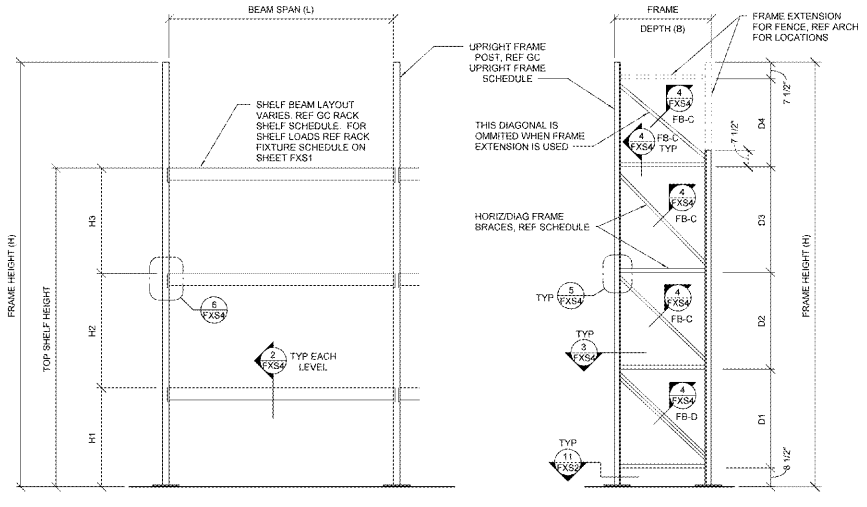
MARK	WIDTH	DEPTH	THICKNESS
UF-125	3"	2.34"	0.125"



3 UPRIGHT FRAME POST SECTION
 4" x 1'-0"



2 RACK SHELF BEAM SECTION
 4" x 1'-0"



1 GARDEN CENTER EXTERIOR RACK ELEVATION
 3/8" x 1'-0"

Order Plans