

**ISSUE BLOCK**

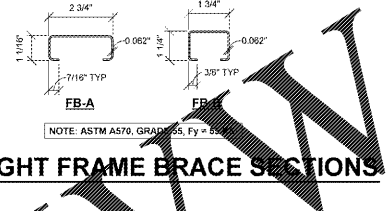
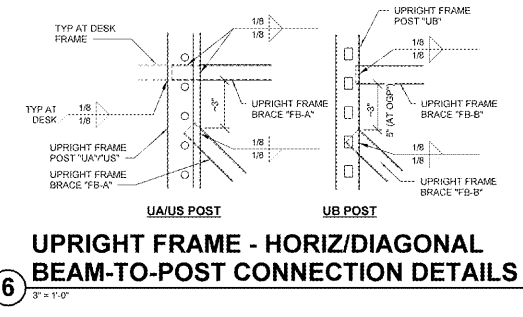
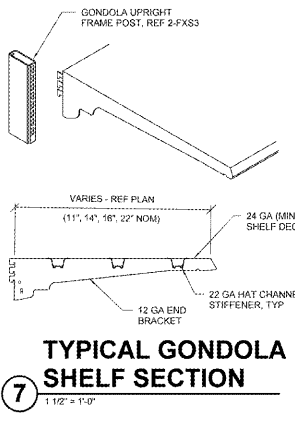
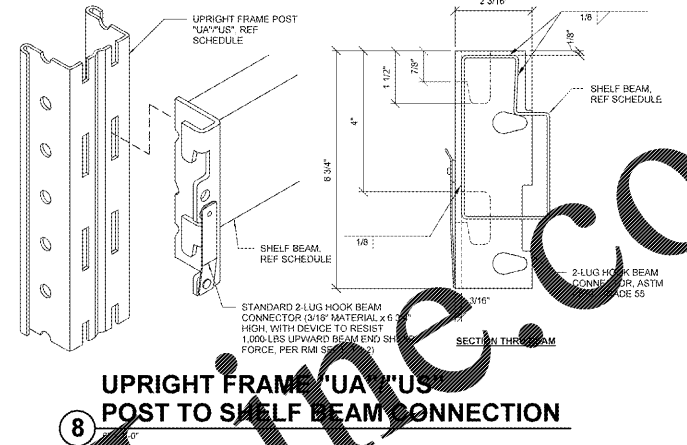
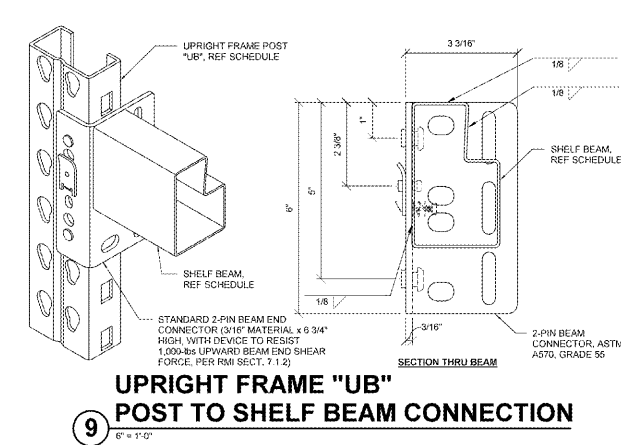
DATE	DESCRIPTION
11/30/17	

CHECKED BY: DGH  
DRAWN BY: BWN  
PROTO CYCLE: 04/28/17  
DOCUMENT DATE: 09/13/17  
J&B PROJECT NO: 96601904R

**BID SET NOT FOR CONSTRUCTION**

**RACK FRAMING DETAILS**

**SHEET: FXS3**

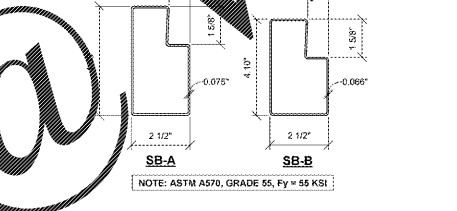
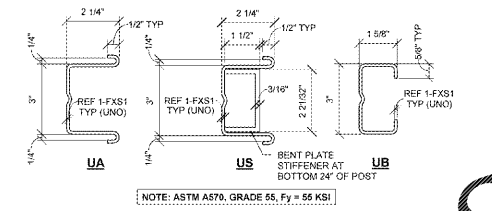


**RACK FIXTURE SHELF SCHEDULE**

FIXTURE MARK	FRAME DEPTH	FRAME HEIGHT (H)	TOP SHELF HEIGHT	RACK FIXTURE SHELF BEAM											
				BEAM MARK	BEAM SPAN (L)	H1	H2	H3	H4	H5	H6				
A2	24"	120"	120"	BEAM: SB-A	36"	36"	0"	0"	0"	0"	0"	0"	0"		
AM	44"	120"	120"	BEAM: SB-A	45"	8"	28"	28"	28"	28"	0"	0"	0"		
AP2	44"	120"	120"	BEAM: SB-A	60"	60"	0"	0"	0"	0"	0"	0"	0"		
BP	44"	120"	120"	BEAM: SB-A	33"	36"	45"	36"	0"	0"	0"	0"	0"		
B	44"	120"	120"	BEAM: SB-A	18"	12"	36"	36"	36"	0"	0"	0"	0"		
BA2	44"	120"	120"	BEAM: SB-A	59"	36"	45"	36"	0"	0"	0"	0"	0"		
BP	44"	120"	120"	BEAM: SB-A	33"	36"	45"	36"	0"	0"	0"	0"	0"		
C	44"	120"	120"	BEAM: SB-A	93"	60"	60"	0"	0"	0"	0"	0"	0"		
CL	24"	144"	120"	BEAM: SB-A	93"	24"	24"	24"	24"	24"	0"	0"	0"		
CL2	24"	144"	120"	BEAM: SB-A	93"	100"	20"	0"	0"	0"	0"	0"	0"		
CRD	24"	144"	120"	BEAM: SB-A	93"	36"	36"	24"	24"	0"	0"	0"	0"		
D	24"	120"	120"	BEAM: SB-A	45"	12"	36"	36"	36"	0"	0"	0"	0"		
D	24"	120"	120"	BEAM: SB-A	93"	12"	36"	36"	36"	0"	0"	0"	0"		
DF	44"	120"	120"	BEAM: SB-A	93"	36"	20"	16"	24"	24"	0"	0"	0"		
DRD	44"	120"	120"	BEAM: SB-A	93"	36"	45"	36"	0"	0"	0"	0"	0"		
FB	44"	120"	120"	BEAM: SB-A	102"	12"	34"	24"	24"	24"	0"	0"	0"		
FLG	44"	120"	120"	BEAM: SB-A	102"	12"	36"	36"	16"	24"	0"	0"	0"		
FN	44"	120"	120"	BEAM: SB-A	93"	36"	20"	16"	24"	24"	0"	0"	0"		
G	44"	120"	120"	BEAM: SB-A	93"	48"	36"	36"	0"	0"	0"	0"	0"		
GA	44"	120"	120"	BEAM: SB-A	93"	36"	24"	0"	0"	0"	0"	0"	0"		
GN	44"	120"	120"	BEAM: SB-A	45"	8"	28"	28"	28"	28"	0"	0"	0"		
HAZ	44"	120"	120"	BEAM: SB-A	45"	12"	36"	32"	40"	0"	0"	0"	0"		
HAZ2	44"	120"	120"	BEAM: SB-A	93"	12"	36"	36"	24"	0"	0"	0"	0"		
HC	44"	120"	120"	BEAM: SB-A	93"	48"	36"	36"	0"	0"	0"	0"	0"		
JC1	44"	120"	120"	BEAM: SB-A	103"	60"	24"	36"	0"	0"	0"	0"	0"		
MD9	44"	120"	120"	BEAM: SB-A	102"	36"	45"	36"	0"	0"	0"	0"	0"		
PHL	44"	120"	120"	BEAM: SB-A	102"	8"	24"	28"	28"	24"	0"	0"	0"		
PK	44"	120"	120"	BEAM: SB-A	93"	12"	36"	36"	0"	0"	0"	0"	0"		
PXL	44"	120"	120"	BEAM: SB-A	102"	8"	32"	28"	28"	24"	0"	0"	0"		
SSL	44"	120"	120"	BEAM: SB-A	102"	8"	32"	28"	28"	24"	0"	0"	0"		
TLL	20"	120"	120"	BEAM: SB-A	102"	8"	28"	28"	28"	24"	0"	0"	0"		
W	44"	84"	120"	BEAM: SB-A	102"	12"	36"	36"	0"	0"	0"	0"	0"		
YZ	44"	120"	120"	BEAM: SB-B	93"	45"	36"	36"	0"	0"	0"	0"	0"		

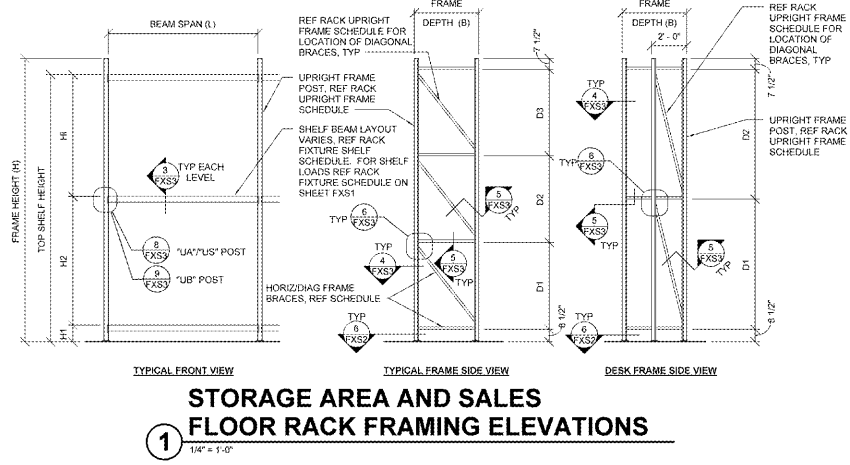
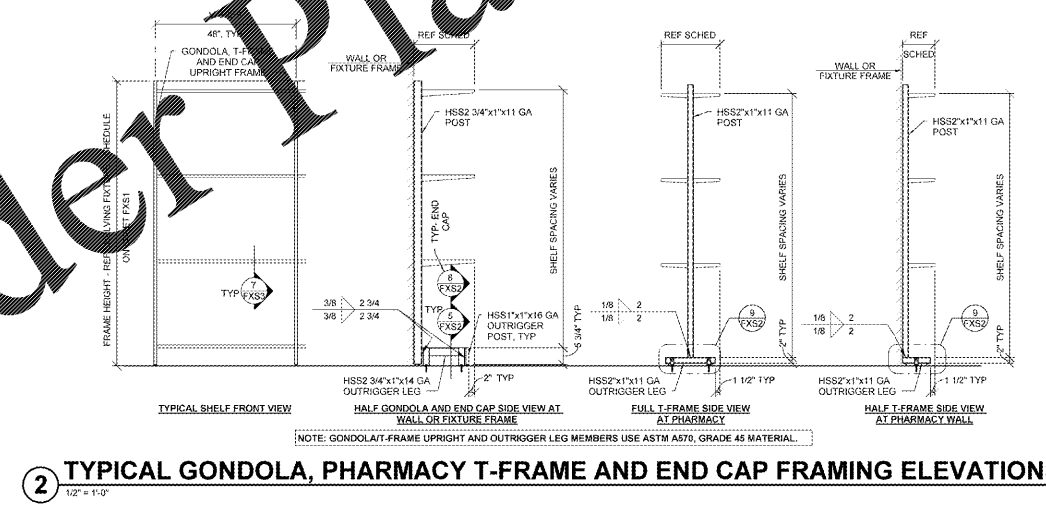
**POST SCHEDULE**

MARK	WIDTH	DEPTH	THICKNESS
UA-075	3"	2 1/4"	0.075"
UB-075	3"	1 5/8"	0.075"
US-125	3"	2 1/4"	0.125"



**RACK UPRIGHT FRAME SCHEDULE**

FRAME MARK	FRAME DEPTH (B)	FRAME HEIGHT (H)	POST TYPE	BASE PLATE TYPE	HORIZ/DIAG BRACE TYPES			FRAME DIAGONALS			
					D1	D2	D3	D1	D2	D3	
24-54 075A	24"	54"	POST: UA-075	BASE: BP-UA	BRACE: FB-A	40"	20"	0"	Yes	No	No
24-120 075A	24"	120"	POST: UA-075	BASE: BP-UA	BRACE: FB-A	40"	40"	24"	Yes	Yes	Yes
24-144 075A	24"	144"	POST: UA-075	BASE: BP-UA	BRACE: FB-A	40"	40"	48"	Yes	Yes	Yes
24-54-120 075A	44"	120"	POST: UA-075	BASE: BP-UA	BRACE: FB-A	52"	52"	0"	Yes	Yes	No
36-120 075A	36"	120"	POST: UA-075	BASE: BP-UA	BRACE: FB-A	40"	40"	24"	Yes	Yes	No
44-120 075A	44"	120"	POST: UA-075	BASE: BP-UA	BRACE: FB-A	40"	40"	24"	Yes	Yes	No
44-120 075B	44"	120"	POST: UA-075	BASE: BP-UA	BRACE: FB-A	40"	40"	24"	Yes	Yes	No
44-120 079B	44"	120"	POST: UB-075	BASE: BP-UB	BRACE: FB-B	40"	40"	24"	Yes	Yes	No
44-120 125S	44"	120"	POST: US-125	BASE: BP-US	BRACE: FB-A	40"	40"	24"	Yes	Yes	No



**Order Plans**

**@ WWW.IDDLINE.COM**