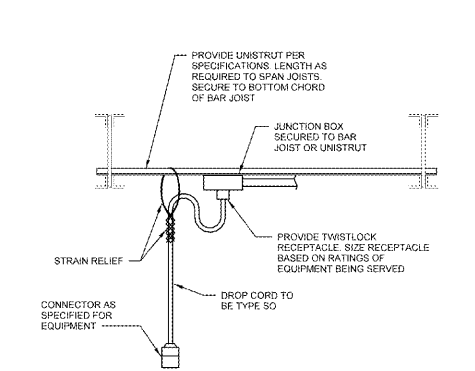
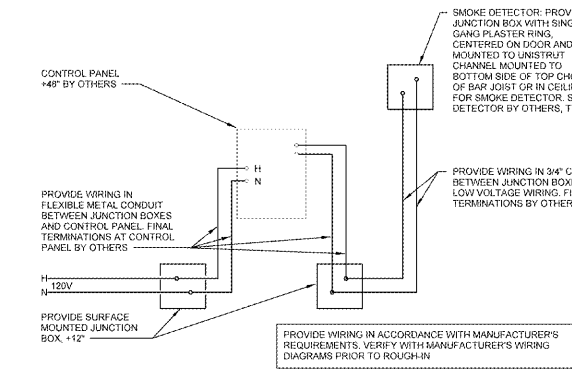


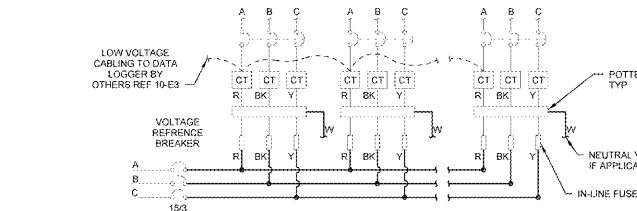
**13 SUSPENDED POWER DROP DETAIL**  
NTS 06.22.10 EG05



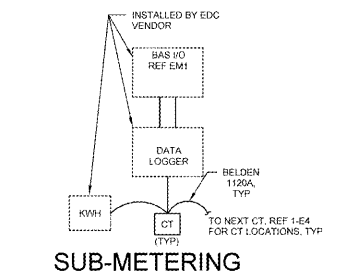
**12 ACCORDION FOLDING DOOR SCHEMATIC**  
NTS



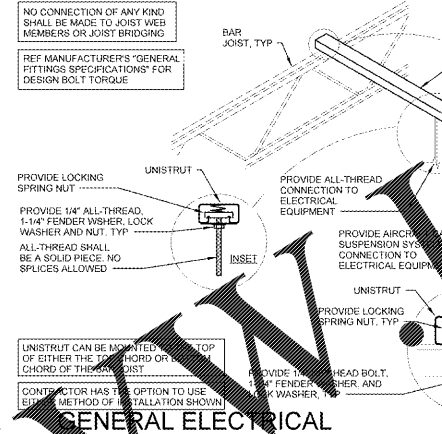
**11 VOLTAGE REFERENCE WIRING DIAGRAM**  
NTS 05.29.09 EP41



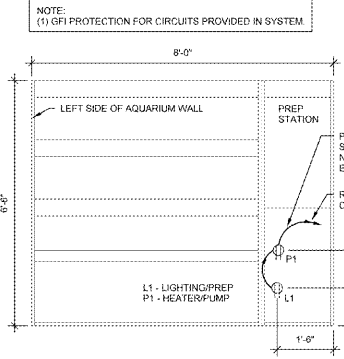
**10 LOW VOLTAGE WIRING**  
NTS 10.28.11 EP40-1



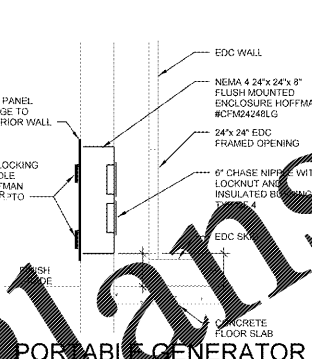
**9 ELECTRICAL CONNECTIONS TO STRUCTURE**  
NTS 11.27.09 EL33



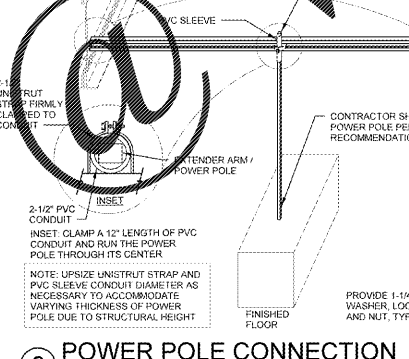
**8 AQUARIUM WALL POWER**  
NTS 09.28.08 EP06



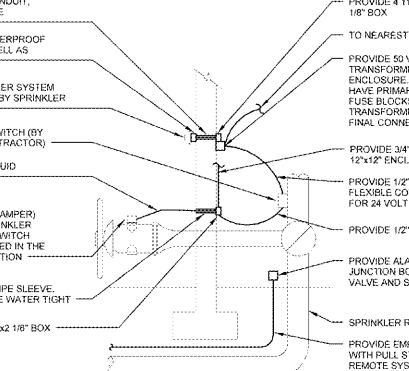
**7 PORTABLE GENERATOR "QC" CABLE RACEWAY**  
NTS 05.29.09 EP32



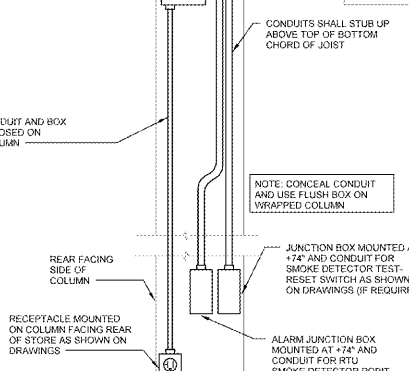
**6 POWER POLE CONNECTION**  
NTS 02.26.10 EP42



**2 SPRINKLER SYSTEM TAMPER AND FLOW SWITCH CONNECTION**  
NTS 10.28.11 EF11-1



**1 COLUMN DEVICE MOUNTING**  
NTS 01.29.16 EP25



10.28.05	VOICE/DATA ROUGH-IN SCHEDULE	ES02
DROP	ROUGH-IN NOTES	
▽ <sub>a</sub> ▽ <sub>a</sub>	FLUSH MOUNT JUNCTION BOX AT +20\"/>	
▽ <sub>b</sub> ▽ <sub>b</sub>	FLUSH MOUNT JUNCTION BOX AT +20\"/>	
▽ <sub>c</sub> ▽ <sub>c</sub>	SURFACE MOUNT JUNCTION BOX AT +8\"/>	
▽ <sub>d</sub> ▽ <sub>d</sub>	SURFACE MOUNT JUNCTION BOX AT +8\"/>	
▽ <sub>e</sub> ▽ <sub>e</sub>	SURFACE MOUNT WEATHER PROOF JUNCTION BOX AT TRUSS WITH (1) 3/4\"/>	
▽ <sub>f</sub> ▽ <sub>f</sub>	MOUNT JUNCTION BOX WITHIN ENCLOSURE WITH (1) 3/4\"/>	
▽ <sub>g</sub> ▽ <sub>g</sub>	SURFACE MOUNT WEATHER PROOF JUNCTION BOX 6\"/>	
▽ <sub>h</sub> ▽ <sub>h</sub>	FLUSH MOUNT 2 1/8\"/>	
▽ <sub>i</sub> ▽ <sub>i</sub>	SURFACE MOUNT JUNCTION BOX ADJACENT TO RACK CONTROLLER WITH (1) 3/4\"/>	
▽ <sub>k</sub> ▽ <sub>k</sub>	SURFACE MOUNT WEATHER PROOF JUNCTION BOX AT +24\"/>	

**SCHEDULE GENERAL NOTES:**  
 (1) ALL JUNCTION BOXES SHALL BE DOUBLE GANG WITH SINGLE GANG PLASTER RING UNLESS NOTED OTHERWISE ON SCHEDULE.  
 (2) ALL JUNCTION BOXES TO BE ROUGHED IN AT SCHEDULED HEIGHT UNLESS NOTED OTHERWISE ON DRAWINGS.  
 (3) ALL CONDUITS SHALL BE TERMINATED WITH BUSHINGS.  
 (4) PROVIDE PULL WIRE WITH EACH EMPTY RACEWAY (JUNCTION BOX/CONDUIT) INSTALLED.  
 (5) CONDUIT RUNS SHALL HAVE NO MORE THAN 90 DEGREES OF TRANSITION BETWEEN PULL BOXES.  
 (6) WHERE CONDUIT(S) TRAVERSE AREAS WITH CEILING OPEN TO STRUCTURE, CONDUIT(S) SHALL BE CONCEALED AS WELL AS POSSIBLE FROM VIEW FROM CUSTOMER AREA.  
 (7) FOR CONDUIT RUNS SCHEDULED WITH 1-1/2\"/>

**GENERAL NOTES**  
 1. PROVIDE SEALS AT RACEWAY PENETRATIONS AS FOLLOWS:  
 A. FIRE RATED WALLS: SEAL PER SPECIFICATIONS FOR FIRE STOPPING.  
 B. FREEZER/COOLER BOXES: SEAL WITH EXPANDING FOAM SEALANT.  
 C. EXTERIOR: REFER TO ARCHITECTURAL DOCUMENTS FOR SEALING REQUIREMENTS AT ALL EXTERIOR MOUNTED DEVICES, FIXTURES, ENCLOSURES, AND RACEWAY PENETRATIONS.  
 2. PROVIDE A SEPARATE EQUIPMENT GROUNDING CONDUCTOR (SIZE PER NEC) IN PVC TYPE CONDUIT. POWER CIRCUITS, ISOLATED GROUND CIRCUITS, OR AS SHOWN ON PLANS. CONDUIT SHALL BE SIZED PER NEC BASED ON THWIM 90VOLT COPPER SINGLE CONDUCTORS, PLUS THE EQUIPMENT GROUNDING CONDUCTOR.  
 3. WIRING DEVICES: DEVICE MOUNTING HEIGHTS ARE FROM FINISHED FLOOR TO CENTER OF OUTLET BOX UNLESS NOTED OTHERWISE ON PLANS. COORDINATE THE STANDARD MOUNTING HEIGHTS WITH MASONRY:  
 A. SWITCHES +44"  
 B. RECEPTACLES +20"  
 C. VOICEDATA (REFER TO SCHEDULE)  
 4. WIRING SHALL INCLUDE FINAL CONNECTION TO ALL EQUIPMENT IN CONFORMANCE WITH EQUIPMENT SUPPLIER WIRING DIAGRAMS.  
 5. CONTRACTOR IS RESPONSIBLE FOR PROVIDING COMPLETE PANELBOARD IDENTIFICATION SCHEDULE.  
 6. BRANCH CIRCUIT CONDUITS SHALL BE MINIMUM #12 AWG UNLESS NOTED OTHERWISE IN SCHEDULES. WHERE 2\"/>

10.29.10	ELECTRICAL SYMBOLS LEGEND	ES03
SYMBOL	DESCRIPTION	
IO / O	FLOURESCENT / LED OR HID FIXTURE (WALL MOUNTED/CEILING MOUNTED)	
□	FLOURESCENT / LED FIXTURE	
□	FLOURESCENT / LED FIXTURE, NIGHT LIGHT	
□	VOLUMETRIC LED FIXTURE	
□	ENCLOSED FREEZER LIGHT	
▽	TRACK LIGHTING	
▽	EXIT FIXTURE (WALL MOUNTED/CEILING MOUNTED)	
▽	EMERGENCY LIGHT (WALL MOUNTED/CEILING MOUNTED)	
▽	SINGLE POLE SWITCH	
▽	SWITCH	
▽	4-WAY SWITCH	
▽	KEYED SWITCH	
▽	USER SWITCH	
▽	VARIABLE SPEED SWITCH	
▽	MANUAL MOTOR SWITCH	
▽	SINGLE POLE OCCUPANCY SENSOR SWITCH	
▽	DOUBLE POLE OCCUPANCY SENSOR SWITCH	
▽	CEILING MOUNTED OCCUPANCY SENSOR SWITCH	
▽	RECEPTACLE, DUPLEX	
▽	RECEPTACLE, DUPLEX, MOUNTED HORIZONTALLY	
▽	RECEPTACLE, GFI	
▽	RECEPTACLE, DUPLEX FLUSH FLOOR	
▽	RECEPTACLE, DUPLEX ISOLATED GROUND FLUSH FLOOR	
▽	RECEPTACLE, DOUBLE DUPLEX	
▽	RECEPTACLE, DUPLEX ISOLATED GROUND	
▽	RECEPTACLE, DUPLEX DUPLEX ISOLATED GROUND	
▽	RECEPTACLE, SIMPLEX TWIST LOCK, 15-15R, UNO	
▽	RECEPTACLE, SIMPLEX TWIST LOCK, ISOLATED GROUND, 15-15R, UNO	
▽	RECEPTACLE, DUPLEX TWIST LOCK, 15-15R, UNO	
▽	RECEPTACLE, DUPLEX TWIST LOCK, ISOLATED GROUND, 15-15R, UNO	
▽	RECEPTACLE, SPECIAL	
▽	RECEPTACLE, SIMPLEX	
▽	RECEPTACLE, PLUG-MOLD	
▽	JUNCTION BOX (WALL MOUNTED/CEILING MOUNTED)	
▽	THEIRISTAT (WALL MOUNTED/CEILING MOUNTED)	
▽	ALARM JUNCTION BOX (WALL MOUNTED/CEILING MOUNTED)	
▽	ALARM JUNCTION BOX, FOR REMOTE TEST/RESET (WALL MOUNTED/CEILING MOUNTED)	
▽	EQUIPMENT CONNECTION POINT (PROVIDED WITH EQUIPMENT)	
▽	NON-FUSED DISCONNECT	
▽	FUSED DISCONNECT	
▽	CIRCUIT, CONCEALED IN WALLS OR CEILING, E INDICATES EXISTING WIRING	
▽	CIRCUIT, CONCEALED IN SLAB FLOOR, E INDICATES EXISTING WIRING	
▽	CIRCUIT, EXPOSED, E INDICATES EXISTING WIRING	
▽	CONDUIT SLEEVE	
▽	FLUSH MOUNTED PANELBOARD	
▽	SURFACE MOUNTED PANELBOARD	
▽	MANUFACTURED WIRING SYSTEM	
▽	TELEPHONE / DATA BOX FOR ISD	
▽	LOW VOLTAGE CABLE BOX FOR OTHER	
▽	TELEPHONE, FLUSH FLOOR	
▽	MOTOR	
▽	TELEPOWER POLE	
▽	PUSH BUTTON	
▽	BUZZER	
▽	SMALL SWITCH	
▽	JUNCTION BOX	
▽	SMOKE DETECTOR	
▽	HORN / STROBE	
▽	DOOR HOLD OPEN	

**Walmart**  
LEESBURG, VIRGINIA  
STORE NO. 1804  
11/30/17 PHOTO

**BID SET NOT FOR CONSTRUCTION**

**ELECTRICAL DETAILS, SYMBOLS, AND SCHEDULES**

**11/30/17 OTB**

**E3**