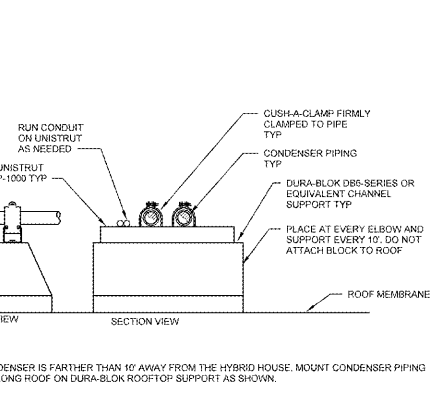
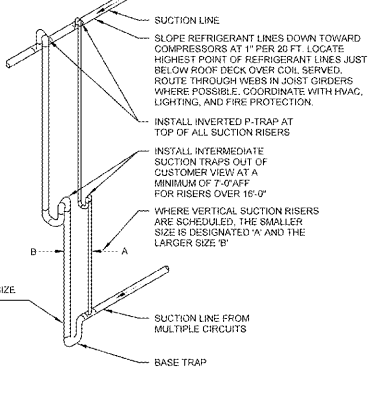


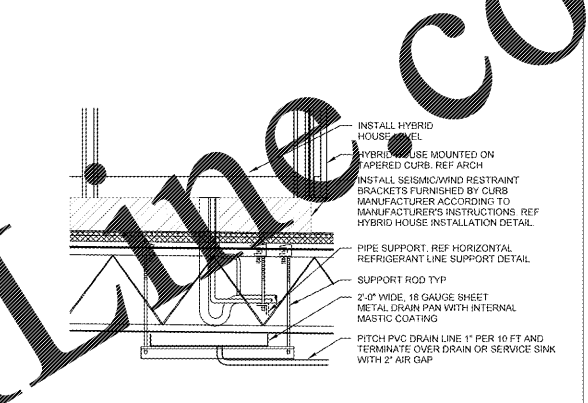
11 CONDENSER PIPING SUPPORTS
NTS



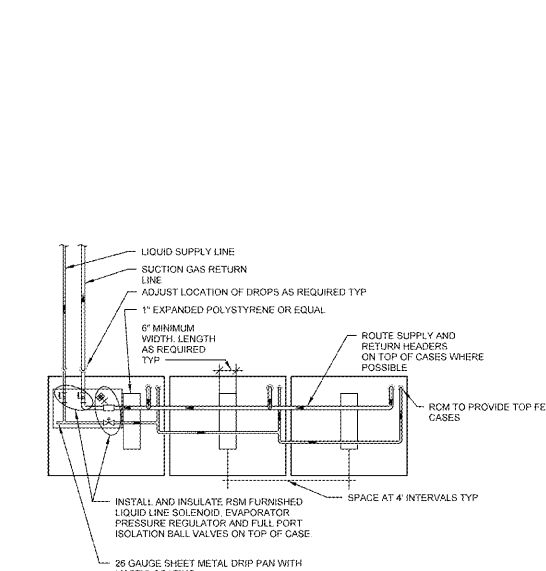
10 VERTICAL DOUBLE SUCTION RISER
NTS



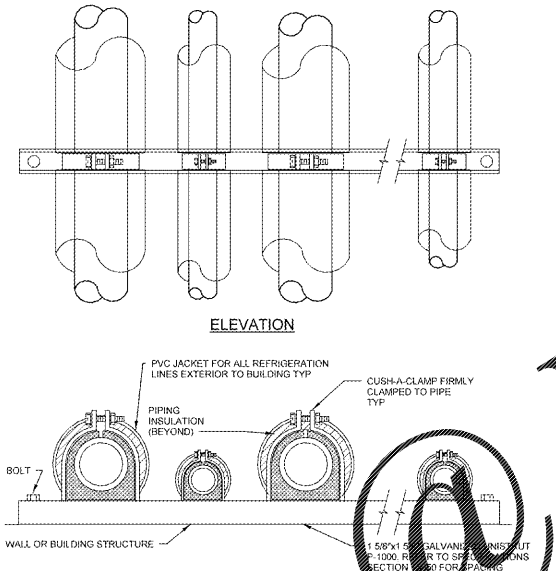
9 ISOLATION VALVES
NTS



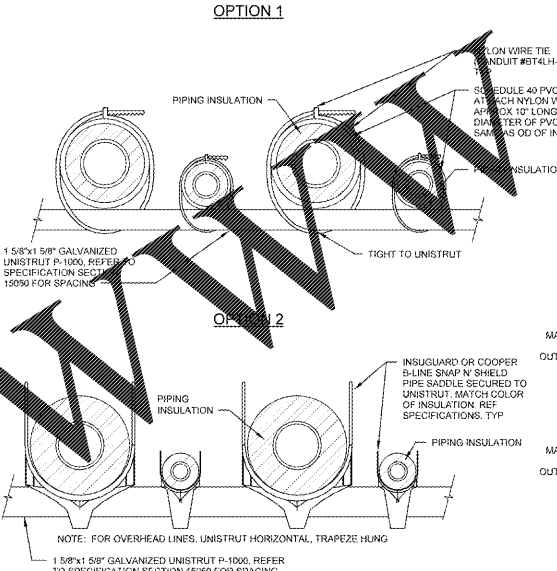
8 ROOF MOUNTED HYBRID HOUSE
NTS



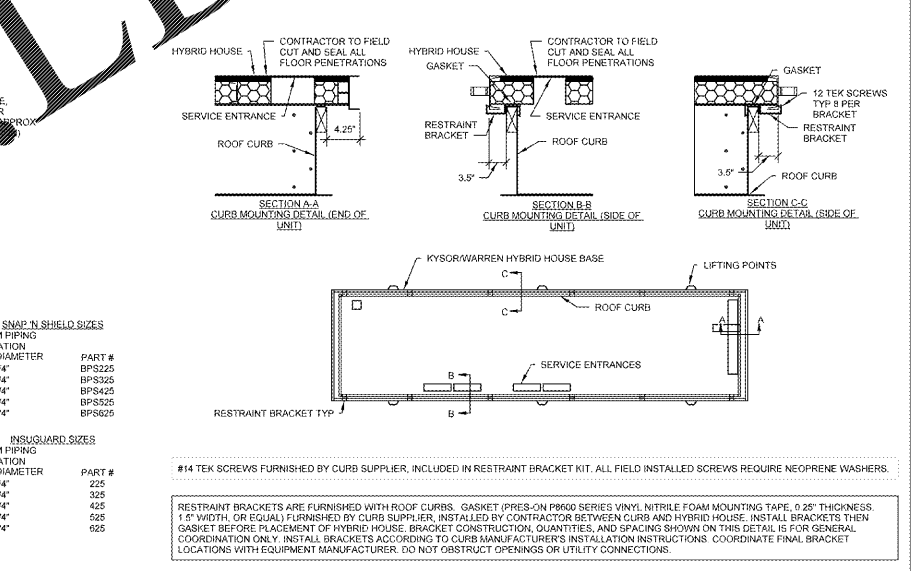
7 DX CASE PIPING
NTS



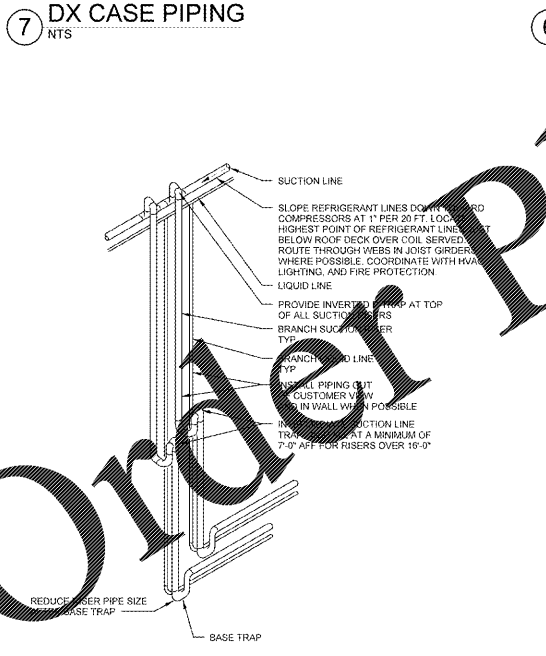
6 VERTICAL REFRIGERANT LINE SUPPORT
NTS



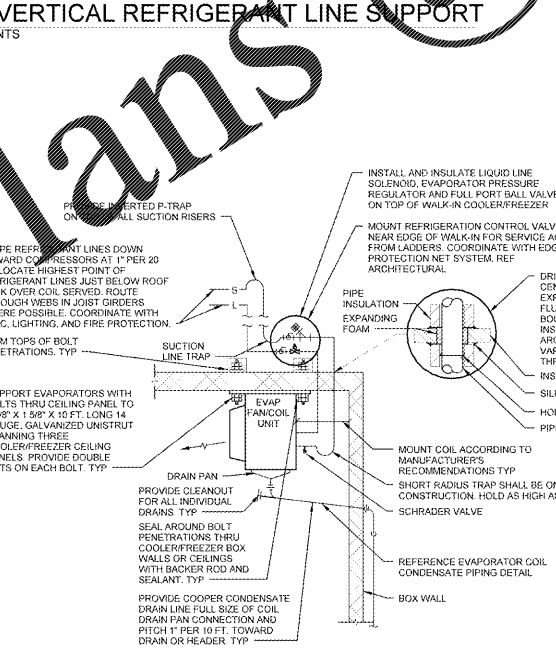
5 HORIZONTAL REFRIGERANT LINE SUPPORT
NTS



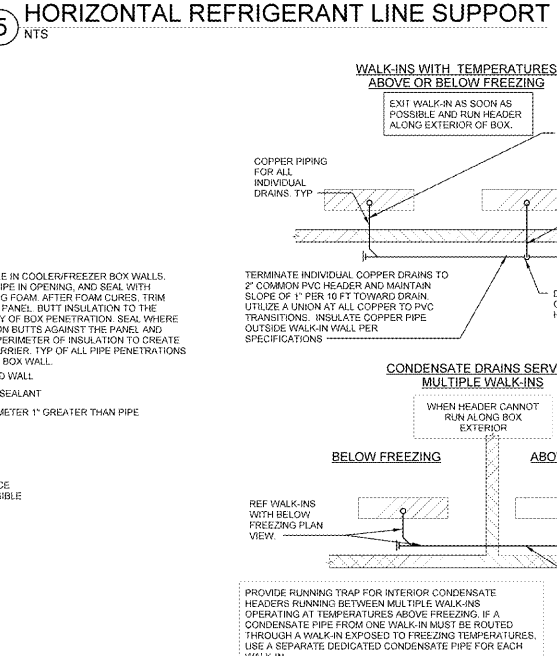
4 HYBRID HOUSE INSTALLATION
NTS



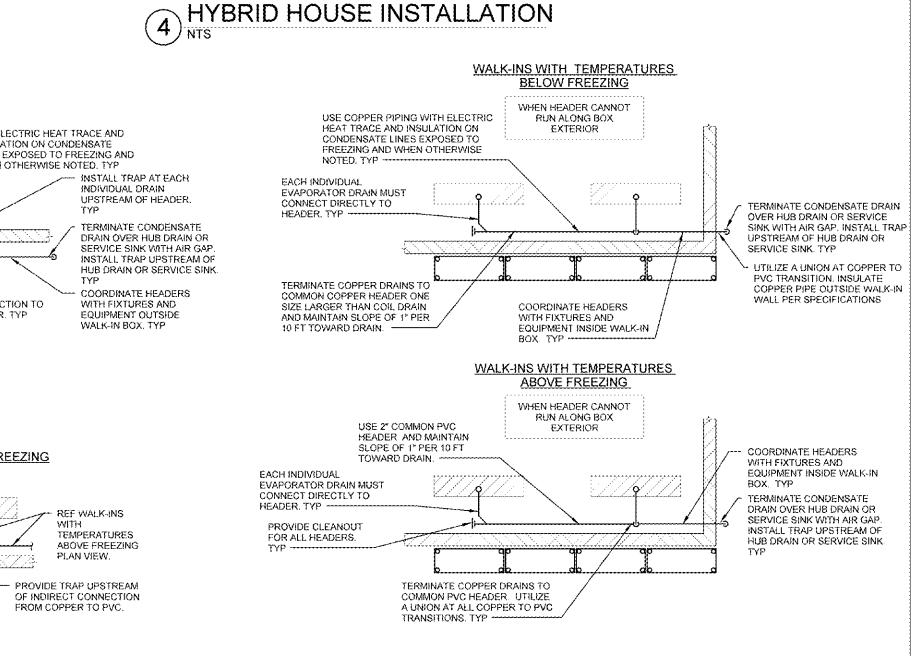
3 INTERMEDIATE SUCTION LINE TRAP
NTS



2 EVAPORATOR COIL PIPING
NTS



1 EVAPORATOR COIL CONDENSATE PIPING
NTS



1 EVAPORATOR COIL CONDENSATE PIPING
NTS

Order Plans

WALMART

LINE.com

STIPULATION FOR USE:
THIS DOCUMENT IS THE PROPERTY OF WALK-INS WITH TEMPERATURES. IT IS TO BE USED ONLY FOR THE PROJECT AND LOCATION SPECIFICALLY IDENTIFIED HEREIN. IT IS NOT TO BE REPRODUCED, COPIED, OR TRANSMITTED IN ANY FORM OR BY ANY MEANS, ELECTRONIC OR MECHANICAL, INCLUDING PHOTOCOPYING, RECORDING, OR BY ANY INFORMATION STORAGE AND RETRIEVAL SYSTEM. ANY UNAUTHORIZED USE OF THIS DOCUMENT IS PROHIBITED AND WILL BE PROSECUTED TO THE FULL EXTENT OF THE LAW.

CONSULTANTS
William R. Krueger
P.L.L.C.
ARCHITECT
1700 N. WALKER BLVD., SUITE 100
LEESBURG, VA 22079
PHONE: 703.771.1100
FAX: 703.771.1101
WWW.WALK-INS.COM

Walmart
LEESBURG, VIRGINIA
STORE NO.: 1904
11800.05 PHOTO
JOB NUMBER

ISSUE BLOCK
11/30/17 OTB

CHECKED BY: WRK
DRAWN BY: ROP
FILE NAME: 190R3
PROTO CYCLE: 04/28/17
DOCUMENT DATE: 09/13/17

BID SET
NOT FOR
CONSTRUCTION

REFRIG
DETAILS

SHEET:
R3