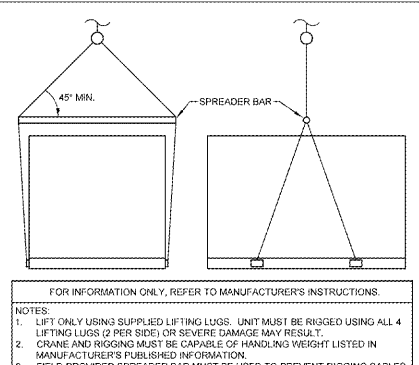


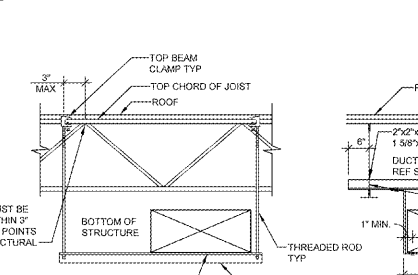
- NOTES:
1. DETACH WOODEN BASE PROTECTION BEFORE RIGGING.
 2. RIG UNIT FOR LIFTING BY CONNECTING RIGGING TO THE UNIT BASE USING BOTH HOLES IN EACH CORNER. ATTACH FOUR CABLES TO HOLES IN UNIT BASE. RAIL, SIZE, CONFIGURE, CRANE AND RIGGING MUST BE CAPABLE OF HANDLING WEIGHT LISTED IN MANUFACTURER'S PUBLISHED INFORMATION.
 3. ALL PANELS MUST BE IN PLACE FOR RIGGING.
 4. PLACE FIELD-PROVIDED H-STYLE PICK IN PLACE JUST ABOVE TOP EDGE OF UNIT. FRAME MUST BE OF ADEQUATE STRENGTH AND LENGTH. (H-STYLE PICK PREVENTS DAMAGE TO UNIT.)
 5. LIFTING POINT SHOULD BE DIRECTLY ABOVE CENTER OF GRAVITY.



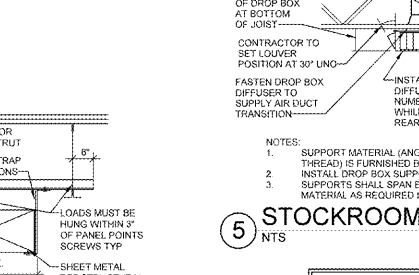
- FOR INFORMATION ONLY, REFER TO MANUFACTURER'S INSTRUCTIONS.
- NOTES:
1. LIFT ONLY USING SUPPLIED LIFTING LUGS. UNIT MUST BE RIGGED USING ALL 4 LIFTING LUGS (2 PER SIDE) OR SEVERE DAMAGE MAY RESULT.
 2. CRANE AND RIGGING MUST BE CAPABLE OF HANDLING WEIGHT LISTED IN MANUFACTURER'S PUBLISHED INFORMATION.
 3. FIELD-PROVIDED SPREADER BAR MUST BE USED TO PREVENT RIGGING CABLES FROM SQUEEZING TOP OF UNIT. REFER TO MANUFACTURER'S DETAILS FOR SPREADER BAR SIZE.

6 MUNTERS AHU RIGGING

7 LENNOX RTU RIGGING

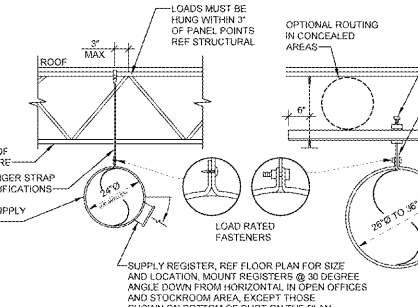


- NOTES:
1. SUPPORT MATERIAL (ANGLES, UNISTRUT, BOLTS, NUTS, WASHERS AND PRE-CUT ALL-THEAD) IS FURNISHED BY DROP BOX MANUFACTURER FOR CONTRACTOR INSTALLATION.
 2. INSTALL DROP BOX SUPPORTS PARALLEL TO MOUNTING TABS ON DROP BOX.
 3. SUPPORTS SHALL SPAN BETWEEN ADJACENT JOISTS. PROVIDE ADDITIONAL SUPPORT MATERIAL AS REQUIRED IF OBSTRUCTIONS PREVENT INSTALLATION SHOWN.



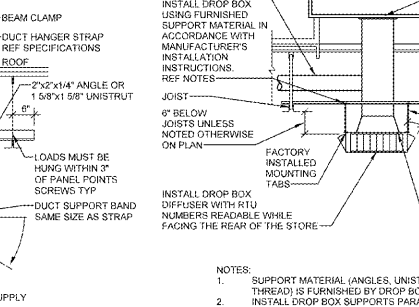
- NOTES:
1. SUPPORT MATERIAL (ANGLES, UNISTRUT, BOLTS, NUTS, WASHERS AND PRE-CUT ALL-THEAD) IS FURNISHED BY DROP BOX MANUFACTURER FOR CONTRACTOR INSTALLATION.
 2. INSTALL DROP BOX SUPPORTS PARALLEL TO MOUNTING TABS ON DROP BOX.
 3. SUPPORTS SHALL SPAN BETWEEN ADJACENT JOISTS. PROVIDE ADDITIONAL SUPPORT MATERIAL AS REQUIRED IF OBSTRUCTIONS PREVENT INSTALLATION SHOWN.

5 STOCKROOM RTU DROP BOX



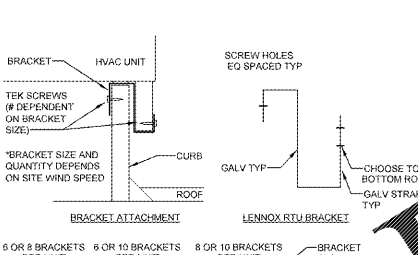
- NOTES:
1. SPIN-IN FITTINGS W/ SCOPES ARE NOT ACCEPTABLE.
 2. REF. PLANS FOR ROUNDOUT SIZES.
 3. 45° LEAD IN.

4 DUCT SUPPORT AND GRILLE



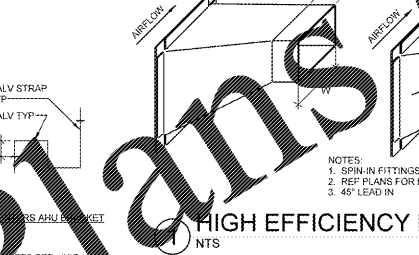
- NOTES:
1. SUPPORT MATERIAL (ANGLES, UNISTRUT, BOLTS, NUTS, WASHERS AND PRE-CUT ALL-THEAD) IS FURNISHED BY DROP BOX MANUFACTURER FOR CONTRACTOR INSTALLATION.
 2. INSTALL DROP BOX SUPPORTS PARALLEL TO MOUNTING TABS ON DROP BOX.
 3. SUPPORTS SHALL SPAN BETWEEN ADJACENT JOISTS. PROVIDE ADDITIONAL SUPPORT MATERIAL AS REQUIRED IF OBSTRUCTIONS PREVENT INSTALLATION SHOWN.

3 SALES FLOOR DROP BOX



- BRACKETS ARE FURNISHED WITH CURB. BRACKET CONSTRUCTION IDENTITIES AND SPACING SHOWN ON THIS DETAIL IS FOR GENERAL COORDINATION TO MANUFACTURER'S INSTALLATION INSTRUCTIONS. COORDINATE FINAL BRACKET SIZE WITH 'M' ELEMENT. DO NOT OBSTRUCT OPENINGS OR UTILITY CONNECTIONS.

2 HVAC SEISMIC WIND RESTRAINT BRACKET



- NOTES:
1. SPIN-IN FITTINGS W/ SCOPES ARE NOT ACCEPTABLE.
 2. REF. PLANS FOR ROUNDOUT SIZES.
 3. 45° LEAD IN.

1 HIGH EFFICIENCY BRANCH DUCT FITTING

MARK	AREA SERVED	MANUFACTURER / MODEL	CFM	VOLTS	PH	HP	CONTROL METHOD	NOTES
HVF 1	AUTO CENTER	PATTERSON 18" HIGH VELOCITY	3800	120	1	0.5	WALL SWITCH	A

GENERAL INFORMATION (ALL UNITS):

1. FURNISH WITH MANUFACTURER'S 12 POWER CORD AND FINGER GUARDS.
2. ALL FANS TO BE CONTROLLED BY ONE WALL SWITCH, REF. ELEC.
3. INSTALL BOTTOM OF FAN AT ELEVATION INDICATED ON DRAWINGS.
4. INSTALL FAN IN ACCORDANCE WITH MANUFACTURER'S INSTALLATION INSTRUCTIONS.

NOTES:

- A. PROVIDE MANUFACTURER'S COLUMN WALL MOUNT (C.W.)
- B. CONTACT INFORMATION: THOMAS X. SMITH 800-788-3985

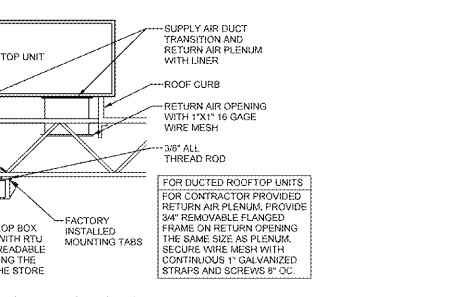
MARK	AREA SERVED	THERMOSTAT / TIMER (QTY)	OPTION #1	OPTION #2	OPTION #3	ELEC HEAT (W)	NOTES
SPUH 1	PUMP ROOM	1	OMARK MUH05-41	MARKEL P3P5105		5	A, B

GENERAL INFORMATION (ALL UNITS):

1. ALL UNITS ARE 48V, 3 PHASE, 60 HERTZ WITH 24V CONTROL TRANSFORMER.
2. INSTALL BOTTOM OF HEATER AT ELEVATION INDICATED ON DRAWINGS UNLESS NOTED OTHERWISE.

NOTES:

- A. PROVIDE FACTORY INSTALLED UNIT MOUNTED THERMOSTAT
- B. PROVIDE WALL MOUNTING BRACKET.



- GENERAL INFORMATION (ALL UNITS):
1. UNITS ARE 48V, 3 PHASE, 60 HERTZ. UNITS MUST BE UL OR ETL AS WELL AS AGA APPROVED. MINIMUM AFUE = 80%.
 2. UNIT SHOWS WITH SUPPLY FAN DRIVE KIT AND BELT DRIVE. UNITS WITH NO DRIVE ARE DIRECT DRIVE.
 3. OUTSIDE AIR IS CONDITIONED THROUGH THE AIR HANDLING UNITS FOR THE SALES FLOOR AREA AND THROUGH THE ROOFTOP UNITS AS SCHEDULED ABOVE IN ACCORDANCE WITH ASHRAE 62.1-2010.
 4. SMOKE DETECTORS ARE FACTORY INSTALLED. SMOKE DETECTORS ARE NOT REQUIRED IN UNITS SUPPLYING AIR TO ROOMS 2000 CFM OR GREATER NOT CAPABLE OF SPREADING SMOKE BEYOND THE ENCLOSING WALLS, FLOORS AND CEILINGS FOR THE ROOM OR SPACE IN WHICH THE SMOKE IS GENERATED. (IMC SECTION 907.2.1)
 5. REFRIGERANT 4.1410A.
 6. HACR-TYPE RATED CIRCUIT BREAKER - FACTORY INSTALLED.
 7. SINGLE POINT POWER AND GAS ENTRY CONNECTIONS.
 8. ROOF CURB AND ANCHOR BRACKETS FURNISHED BY OWNER. INSTALLED BY CONTRACTOR. REFER TO SPECIFICATIONS FOR DETAILS.
 9. BACNET RTU CONTROLLER - FACTORY INSTALLED. TEMPERATURE (04L60), AIR FLOWING TEMPERATURE (04M00), OUTDOOR AIR TEMPERATURE (06L80), HUMIDITY (17M50) AND CO2 (87M5) SENSORS FURNISHED BY LENNOX. INSTALLED BY BAS CONTRACTOR. TEMPERATURE SENSOR (04R00) IS SHOWN FOR POINT SPECIFIC SENSORS UNLESS AVERAGING OR OVERRIDE SENSOR IS SPECIFIED. REFER TO SCHEDULE NOTES FOR UNIT SPECIFIC SENSORS.
 10. HIGH PERFORMANCE, FULLY MODULATING ECONOMIZER - FACTORY INSTALLED.
 11. CONVENIENCE RECEPTACLE - FACTORY PROVIDED.
 12. MULTI-STAGE COILS UNITS ARE PROVIDED WITH MULTI-STAGE SUPPLY AIR VOLUME (SAV) TECHNOLOGY FOR PART LOAD OPERATION ENERGY SAVINGS.
 13. FURNISHED WITH 2 INCH, MERV7 (MINIMUM EFFICIENCY REPORTING VALUE) AIR FILTER.
- NOTES:
- A. INDOOR AIR QUALITY "IAQ" UNIT WITH SPACE CO2 SENSOR. REFER TO EM SHEETS AND DESIGN BASE VENTILATION INTERPRETATION OF ASHRAE 62.1-2010. EXTERNALLY LABEL UNIT "IAQ" IN RED LETTERS. REFER TO SPECIFICATIONS.
 - B. FURNISHED WITH OVERRIDE TEMPERATURE SENSOR.
 - C. FURNISHED WITH AVERAGING TEMPERATURE KIT.
 - D. HUMIDITY CONTROL REHEAT KIT INSTALLED.
 - E. FURNISHED WITH HUMIDITY SENSOR.

ROOFTOP UNIT SCHEDULE (LENNOX)

MARK	AREA SERVED	MODEL	NOMINAL CAPACITY (TONS)	CFM	ESP (IN)	DRIVE KIT	OPERATION	EFFICIENCY	ARI SEER	ARI EER	GAS HEAT INPUT (MMBtu)	DETECTOR LOCATION	MCA	MOC	WEIGHT (LBS)	NOTES
RTU 1	OGP STORAGE	LGH1204M	20	3200	2.00	0.50	140	AUTO	12.8	280	12.8	RA	24.0	30	3223	
RTU 2	BAKERY DELI/PRODUCE	SGC2404M	20	6500	4.00	0.50	STANDARD	AUTO	12.8	280	12.8	RA	49.0	50	3223	D, E
RTU 3	GM STORAGE/PICKUP	LGH0504ME	5	1800	1.00	0.50	N/A	280	AUTO	17.12	150		15.0	20	895	D, E
RTU 4	GR VESTIBULE	SGC1204M	10	3700	3.00	0.70	STANDARD	0	AUTO	12.1	240		27.0	30	1724	
RTU 5	PHARMACY	SGC0604B	3	2000	1.50	0.50	HIGH	200	AUTO	15.5	128		14.0	20	1212	A
RTU 6	TENANT	SGC0604B	3	2000	1.50	0.50	HIGH	200	AUTO	15.5	128		14.0	20	1212	A
RTU 7	TENANT	SGC0604B	3	2000	1.50	0.50	HIGH	165	AUTO	15.5	128		14.0	20	1212	A
RTU 8	TENANT	SGC0604B	3	2000	1.50	0.50	HIGH	165	AUTO	15.5	128		14.0	20	1212	A
RTU 9	FRONT OFFICE/RESTROOMS	SGC0604B	3	2000	1.50	0.50	HIGH	75	AUTO	16.1	138		11.0	15	1168	C
RTU 10	LPC	SGC0604B	3	2000	1.50	0.50	HIGH	25	AUTO	15.5	128		14.0	20	1212	C
RTU 11	COURTESY	SGC0604B	3	2000	1.50	0.50	HIGH	155	AUTO	15.5	128		14.0	20	1212	C
RTU 12	GM VESTIBULE	SGC1204M	10	3700	3.00	0.70	STANDARD	0	AUTO	12.1	240		27.0	30	1724	B
RTU 13	PHARMACY	SGC0604B	3	2000	1.50	0.50	HIGH	200	AUTO	16.1	138		11.0	15	1168	B
RTU 14	OPTICAL SALES	SGC0604B	3	2000	1.50	0.50	HIGH	235	AUTO	16.1	138		11.0	15	1168	B
RTU 15	OPTICAL EXAM	SGC0604B	3	2000	1.50	0.50	HIGH	160	AUTO	16.1	138		11.0	15	1168	B
RTU 16	CHEQUER	SGC2404M	20	6500	4.00	0.70	HIGH	0	AUTO	12.8	480		49.0	50	3223	A
RTU 17	CHEQUER	SGC2404M	20	6500	4.00	0.70	HIGH	0	AUTO	12.8	480		49.0	50	3223	A
RTU 18	SALES	SGC1204M	10	4500	3.00	0.70	HIGH	0	AUTO	12.1	240		27.0	30	1724	A
RTU 19	GARDEN CENTER	SGC2404M	20	6500	4.00	0.50	STANDARD	0	AUTO	12.8	480		49.0	50	3223	A
RTU 20	SALES	SGC1204M	10	4500	3.00	0.70	HIGH	0	AUTO	12.1	240		27.0	30	1724	A
RTU 21	SALES	SGC2404M	20	6500	4.00	0.70	HIGH	0	AUTO	12.8	480		49.0	50	3223	A
RTU 22	GARDEN CENTER	SGC1204M	10	3700	3.00	0.50	STANDARD	0	AUTO	12.1	240		27.0	30	1724	A
RTU 23	STOCKROOM	LGH0504ME	5	1800	1.00	0.50	N/A	150	AUTO	17.12	150		15.0	20	895	D, E
RTU 24	SALES	SGC2404M	20	6500	4.00	0.70	HIGH	0	AUTO	12.8	480		49.0	50	3223	A
RTU 25	SALES	SGC2404M	20	6500	4.00	0.70	HIGH	0	AUTO	12.8	480		49.0	50	3223	A
RTU 26	SALES	SGC2404M	20	6500	4.00	0.70	HIGH	0	AUTO	12.8	480		49.0	50	3223	A
RTU 27	OGP STOCKROOM	LGH1204M	10	3200	2.00	0.50	1	250	AUTO	12.0	240		24.0	30	1386	
RTU 28	STOCKROOM	SGC1204M	10	3700	3.00	0.50	STANDARD	405	AUTO	12.1	240		27.0	30	1724	A
RTU 29	PHOTO LAB/RESTROOMS	SGC0604B	3	2000	1.50	0.50	HIGH	75	AUTO	16.1	138		11.0	15	1168	A
RTU 30	CORRIDOR	SGC1204M	10	3700	3.00	0.50	STANDARD	405	AUTO	12.1	240		27.0	30	1724	A
RTU 31	TRAINING/OFFICES	SGC0604B	3	2000	1.50	0.50	HIGH	315	AUTO	15.5	128		14.0	20	1212	C
RTU 32	BREAKROOM	SGC1204M	10	3700	3.00	0.50	STANDARD	370	AUTO	12.1	240		27.0	30	1724	A
RTU 33	PHOTO LAB/RESTROOMS	SGC0604B	3	2000	1.50	0.50	HIGH	75	AUTO	16.1	138		11.0	15	1168	A
RTU 34	RECEIVING	SGC1204M	10	3700	3.00	0.50	STANDARD	405	AUTO	12.1	240		27.0	30	1724	A
RTU 35	AUTO CENTER	SGC0604B	3	2000	1.50	0.50	HIGH	210	AUTO	12.8	150		14.0	20	1212	A

AIR HANGER UNIT SCHEDULE (MUNTERS)

MARK	AREA SERVED	MODEL	TONS	STAGES	CFM	ESP (IN)	OPERATION	AIR CFM	INPUT (MMBtu)	STAGES	PAN (HP)	MCA	MOC
AHU 1	HUCUR/STAD	40	4	5000	CONTINUOUS	5000	600	4	7.5	104.3	125		
AHU 2	HUCUR/STAD	40	4	5000	CONTINUOUS	5000	800	4	7.5	104.3	125		
AHU 3	HUCUR/STAD	40	4	5000	CONTINUOUS	5000	800	4	7.5	104.3	125		

GENERAL INFORMATION (ALL UNITS):

1. UNITS ARE 48V, 3 PHASE, 60 HERTZ. UNITS MUST BE UL OR ETL AS WELL AS AGA APPROVED. MINIMUM AFUE = 80%.
2. UNIT OPERATING PRESSURE (PSI): 60/30 = 5,200; 80/40 = 6,030.
3. OUTSIDE AIR IS CONDITIONED THROUGH THE AIR HANDLING UNITS FOR THE SALES FLOOR AREA AND THROUGH THE ROOFTOP UNITS AS SCHEDULED ABOVE IN ACCORDANCE WITH ASHRAE 62.1-2010.
4. SMOKE DETECTORS ARE FACTORY INSTALLED. SMOKE DETECTORS ARE NOT REQUIRED IN UNITS SUPPLYING AIR TO ROOMS 2000 CFM OR GREATER NOT CAPABLE OF SPREADING SMOKE BEYOND THE ENCLOSING WALLS, FLOORS AND CEILINGS FOR THE ROOM OR SPACE IN WHICH THE SMOKE IS GENERATED. (IMC SECTION 907.2.1)
5. REFRIGERANT 4.1410A.
6. HACR-TYPE RATED CIRCUIT BREAKER - FACTORY INSTALLED.
7. SINGLE POINT POWER AND GAS ENTRY CONNECTIONS.
8. ROOF CURB AND ANCHOR BRACKETS FURNISHED BY OWNER. INSTALLED BY CONTRACTOR. REFER TO SPECIFICATIONS FOR DETAILS.
9. BACNET RTU CONTROLLER - FACTORY INSTALLED. TEMPERATURE (04L60), AIR FLOWING TEMPERATURE (04M00), OUTDOOR AIR TEMPERATURE (06L80), HUMIDITY (17M50) AND CO2 (87M5) SENSORS FURNISHED BY LENNOX. INSTALLED BY BAS CONTRACTOR. TEMPERATURE SENSOR (04R00) IS SHOWN FOR POINT SPECIFIC SENSORS UNLESS AVERAGING OR OVERRIDE SENSOR IS SPECIFIED. REFER TO SCHEDULE NOTES FOR UNIT SPECIFIC SENSORS.
10. HIGH PERFORMANCE, FULLY MODULATING ECONOMIZER - FACTORY INSTALLED.
11. CONVENIENCE RECEPTACLE - FACTORY PROVIDED.
12. MULTI-STAGE COILS UNITS ARE PROVIDED WITH MULTI-STAGE SUPPLY AIR VOLUME (SAV) TECHNOLOGY FOR PART LOAD OPERATION ENERGY SAVINGS.
13. FURNISHED WITH 2 INCH, MERV7 (MINIMUM EFFICIENCY REPORTING VALUE) AIR FILTER.

NOTES:

- A. INDOOR AIR QUALITY "IAQ" UNIT WITH SPACE CO2 SENSOR. REFER TO EM SHEETS AND DESIGN BASE VENTILATION INTERPRETATION OF ASHRAE 62.1-2010. EXTERNALLY LABEL UNIT "IAQ" IN RED LETTERS. REFER TO SPECIFICATIONS.
- B. FURNISHED WITH OVERRIDE TEMPERATURE SENSOR.
- C. FURNISHED WITH AVERAGING TEMPERATURE KIT.
- D. HUMIDITY CONTROL REHEAT KIT INSTALLED.
- E. FURNISHED WITH HUMIDITY SENSOR.

AIR CURTAIN SCHEDULE

MARK	AREA SERVED	OPTION #1	OPTION #2	OPTION #3	WEIGHT (LBS)	FAN MOTORS	ELECTRICAL DATA	NOTES
AC 1	OGP	REFRIGERANT	ETA 1-48	104	104	104	110	A, C, F, H

NOTES:

- A. UNIT SHALL BE FURNISHED WITH FACTORY MOUNTED NON-USED TOGGLE DISCONNECT SWITCH LOCATED ON TOP OF AIR CURTAIN.
- B. UNIT SHALL BE FURNISHED WITH MANUFACTURER'S LOW PHOTOELECTRIC SENSOR SWITCH, SENSOR REFLECTOR, AND REQUIRED ACCESSORIES TO ENERGIZE ALL AIR CURTAINS AT EACH DOOR ON HIGH SPEED WHEN DOOR OPENS AND DE-ENERGIZE AIR CURTAINS WHEN DOOR CLOSES.
- C. UNIT SHALL BE TOP MOUNTED. FOR CURTAIN INSTALLATIONS NOT DETAILED ON ARCHITECTURAL DRAWINGS, SUSPEND CURTAINS FROM UNISTRUT INSTALLED BELOW DOOR TRACK AND SPANNING ENTIRE DOOR OPENING AS REQUIRED. SUPPORT UNISTRUT FROM STRUCTURE.
- D. ALL MULTIPLE AIR CURTAINS AT EACH DOOR SHALL BE FURNISHED WITH SEPARATE COILS AND SUPPLIES.
- E. AS REQUIRED, ALL OPENINGS WITH TWO AIR CURTAINS TO BE FURNISHED WITH A FIELD MOUNTED AND WIRED RAY TO ALLOW FOR ONE SWITCH TO ACTIVATE TWO AIR CURTAINS.
- F. BERNER SHALL BE FURNISHED WITH FACTORY INSTALLED SINGLE PHASE CONTROL PANEL LEFT END.
- G. BERNER UNIT SHALL BE FURNISHED WITH TANDEM PERFORMANCE KITS.
- H. UNIT SHALL BE FURNISHED WITH MANUFACTURER'S 24V AUTOMATIC SLIDER DOOR MAGNETIC LIMIT SWITCH AND TIME DELAY TO ENERGIZE AIR CURTAIN WHEN SLIDER DOOR OPENS AND CONTINUE OPERATION FOR 30 SECONDS AFTER DOOR CLOSES.

FAN SCHEDULE

MARK	AREA SERVED	OPTION #1	OPTION #2	OPTION #3	OPTION #4	OPTION #5	CFM	ESP (IN)	MOUNTING FAN	VOLTS	PH	HP	DRIVE	CONTROL	NOTES
EF 1	FRONT	CARNES GREENHECK	ACME	PENNBARRY	1300	0.34	1300	0.34	ROOFTOP	120	1	0.800	DIRECT	CONTINUOUS	A, B, C, D, E
EF 2	PHARMACY	CARNES GREENHECK	ACME	PENNBARRY	125	0.13	125	0.13	ROOFTOP	120	1	0.100	DIRECT	WALL SWITCH	A, B, C, D, E
EF 3	VISION CENTER	CARNES GREENHECK	ACME	PENNBARRY	200	0.12	200	0.12	ROOFTOP	120	1	0.10			