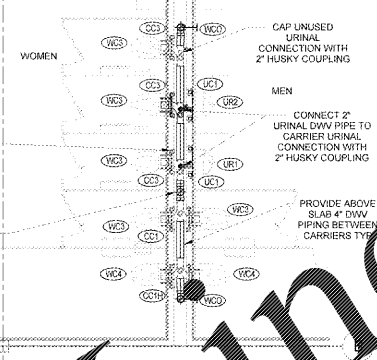


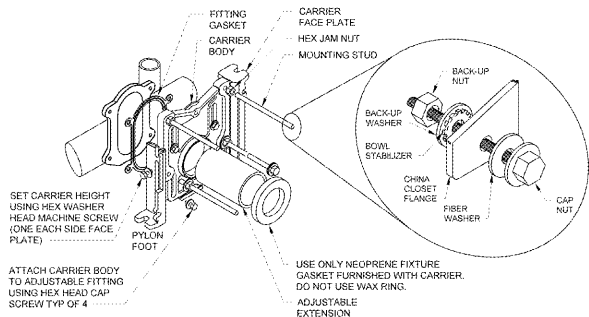
KEYNOTES

- 15.100 ROUTE PIPING THROUGH JOIST SPACE. COORDINATE WITH HVAC AND OTHER TRADES PRIOR TO INSTALLATION. DO NOT INSTALL PIPING DIRECTLY UNDER SKYLIGHT WELLS UNLESS INDICATED OTHERWISE ON PLANS. COORDINATE WITH SPRINKLER CONTRACTOR PRIOR TO INSTALLATION IN ORDER TO MAINTAIN REQUIRED CLEARANCES FROM SPRINKLERS. REFER TO PIPE SUPPORT DETAIL FOR INSTALLATION.
- 15.102 MOUNT SHUT-OFF VALVE ABOVE ACCESSIBLE CEILING AT 4 FT AFF UNLESS NOTED OTHERWISE. SUSPEND SIGN FROM COLD WATER LINE NEXT TO VALVE ABOVE CEILING TO READ AS FOLLOWS: "TENANT WATER SHUT-OFF VALVE".
- 15.105 INSTALL FURNISHED WATER FILTRATION SYSTEM DESIGNED UNIT. REF ARCH FOR MOUNTING HEIGHT. CENTERLINE OF SHUT-OFF VALVE FROM EDGE OF COUNTER TO INSTALLED FAUCET WITH SINK HOLE.
- 15.106 INSTALL FURNISHED WATER FILTRATION SYSTEM AND WATER STORAGE TANK. INSTALL RINGER'S SPECIFIC FILTER MEDIA AROUND EACH PUBLIC RESTROOM FLOOR DRAIN AT 1/4" SLAB POUR. AFTER REFINISH WALLS ARE CONSTRUCTED, ALL SPRAIN GRATE SQUARE TO WALLS AND SET IN CONCRETE PRIOR TO TILE INSTALLATION. VERIFY FINAL TILE HEIGHT BEFORE SETTING DRAIN. DO NOT SLOPE RESTROOM FLOOR TO DRAIN.
- 15.127 INSTALL BRANCH LINE CONNECTION FITTING WITH HOLE ROTATED UP 15° MINIMUM ABOVE HORIZONTAL TO PREVENT BACKFLOW. REFER TO DWV BRANCH CONNECTION DOWNSTREAM OF TOILET DETAIL.
- 15.128 CONNECT DWV BRANCH LINE TO HORIZONTAL MAIN USING 180° BEND AND WYE FITTING OR COMBINATION FITTING TO PREVENT BACKFLOW. DO NOT USE A SANITARY TEE FITTING.

INSTALLATION INSTRUCTIONS:
1. INSTALL FLOOR ANCHORS IN ACCORDANCE WITH MANUFACTURER'S INSTALLATION INSTRUCTIONS.
2. COMPLETELY FILL ANY SLIGHTLY MISALIGNED FLOOR ANCHOR HOLES WITH EPOXY-BONDED CONCRETE BEFORE RE-DRILLING HOLE.
3. REF CARRIER/WATER CLOSET INSTALLATION DETAIL.



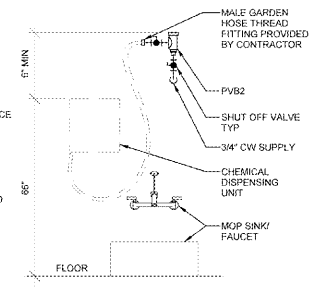
8 FRONT RESTROOM CARRIERS
1/4" = 1'-0"



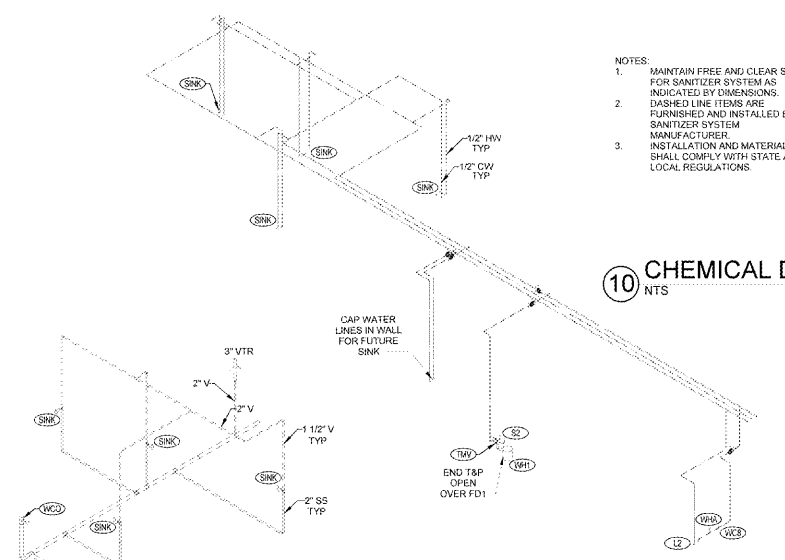
9 CARRIER/WATER CLOSET INSTALLATION
NTS

INSTALLATION NOTES:
1. INSTALL CARRIERS AND WATER CLOSETS IN ACCORDANCE WITH THE MANUFACTURER'S INSTALLATION INSTRUCTIONS.
2. INSTALL CENTERLINE OF CARRIER BOTTOM MOUNTING STUDS 5 3/4" ABOVE CONCRETE FOR WC3.
3. INSTALL CENTERLINE OF CARRIER BOTTOM MOUNTING STUDS 7 3/4" ABOVE CONCRETE FOR WC4.
4. AFTER WALL TILE INSTALLATION IS COMPLETE, SET CARRIER ADJUSTABLE EXTENSION AND OUT MOUNTING STUDS TO CORRECT LENGTH USING CARRIER MANUFACTURER FURNISHED JIG. PERFORM THIS TASK PRIOR TO SETTING THE BOWL.

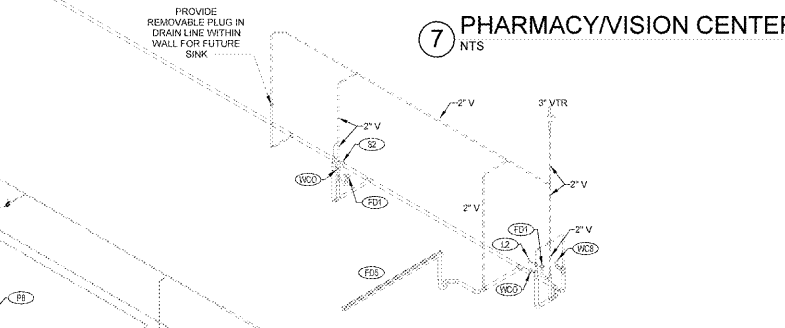
10 CHEMICAL DISPENSING UNIT ELEVATION
NTS



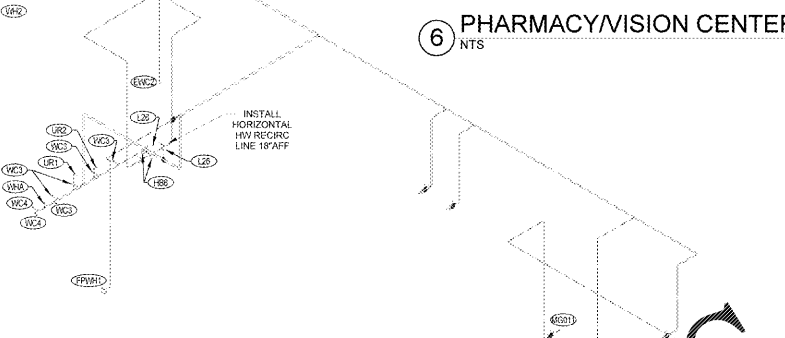
NOTES:
1. MAINTAIN FREE AND CLEAR SPACE FOR SANITIZER SYSTEM AS INDICATED BY DIMENSIONS. DASHED LINE ITEMS ARE FURNISHED AND INSTALLED BY SANITIZER SYSTEM MANUFACTURER.
2. INSTALLATION AND MATERIALS SHALL COMPLY WITH STATE AND LOCAL REGULATIONS.



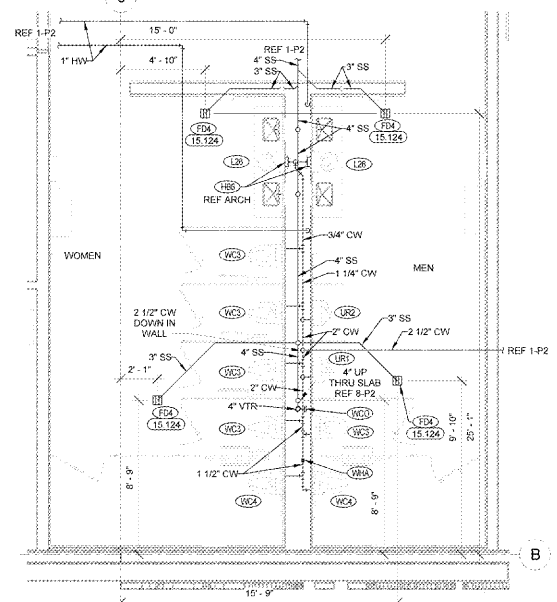
7 PHARMACY/VISION CENTER WATER RISER
NTS



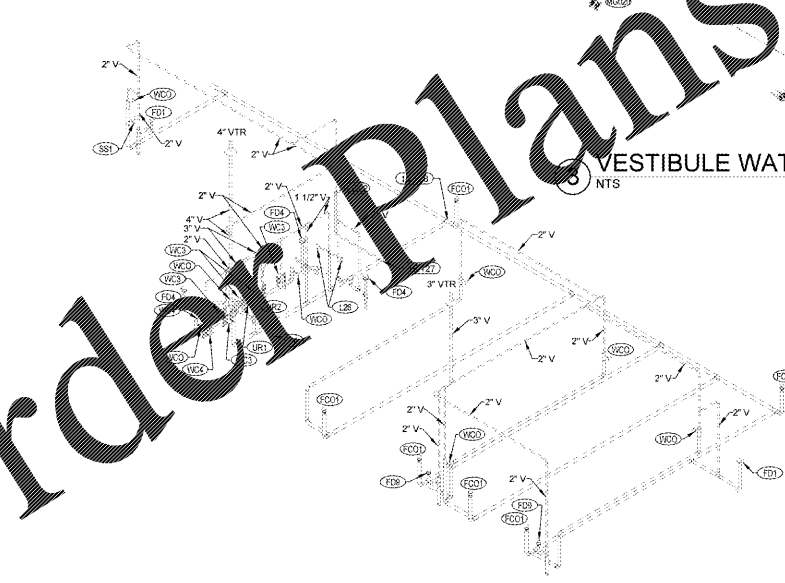
6 PHARMACY/VISION CENTER DWV RISER
NTS



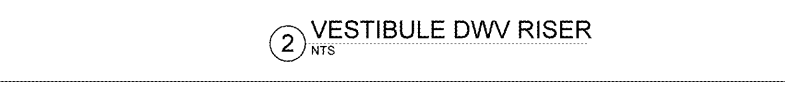
5 PHARMACY/VISION CENTER PLUMBING PLAN
1/8" = 1'-0"



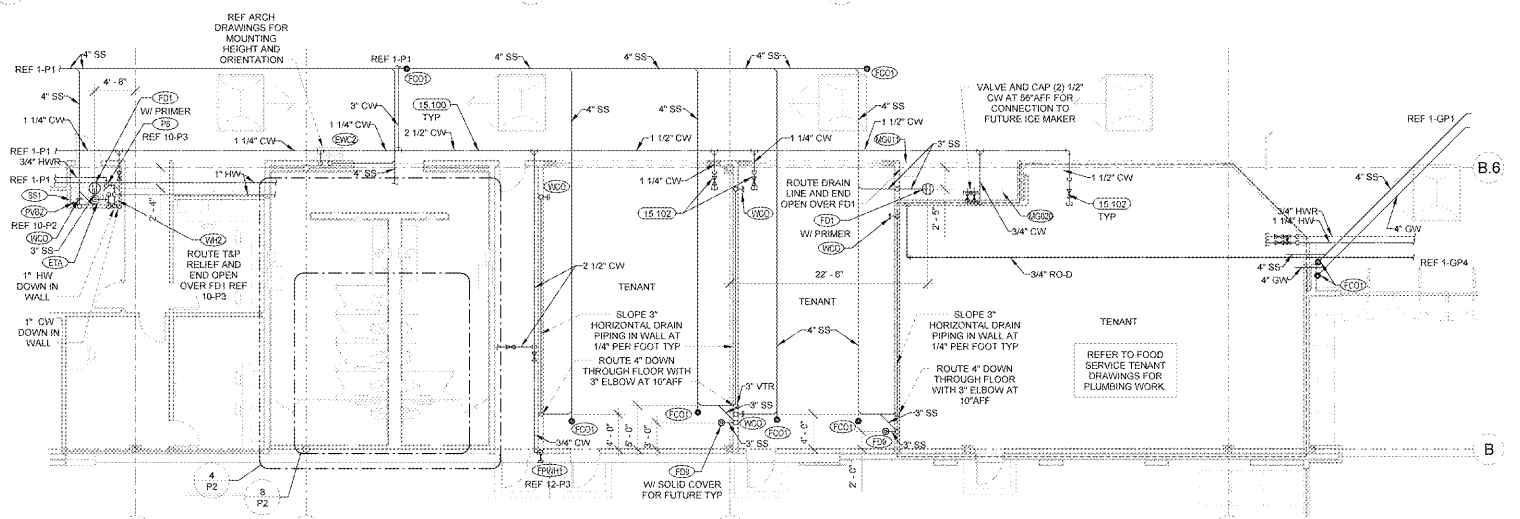
4 FRONT RESTROOM PLUMBING PLAN
1/4" = 1'-0"



2 VESTIBULE DWV RISER
NTS



2 VESTIBULE DWV RISER
NTS



1 VESTIBULE PLUMBING PLAN
1/8" = 1'-0"

Order Plans @