

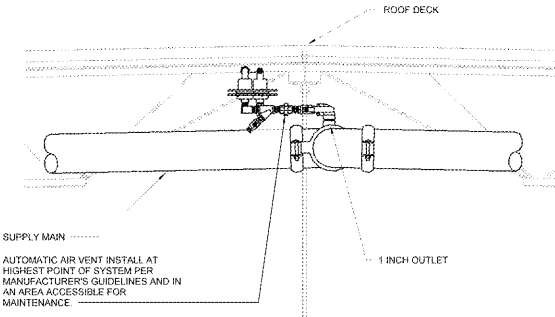
PUMP AND COMPRESSOR SCHEDULE						
MARK	SERVICE	MANUFACTURER	MODEL	HP	VRPH/Hz	NOTES
AC1	AIR COMPRESSOR	GENERAL	OL36550ACT	.5	115/180	A
FP	DRY RISER ROOM	PEERLESS	46ATS	100	120/180	B,C
JP	FIRE JOCKEY PUMP	GRUNDFOSS	CR1-10	1.5	460/380	B

NOTES

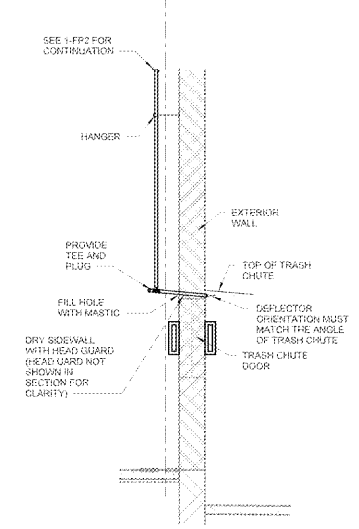
A. CONTRACTOR-PROVIDED EQUIPMENT. HORSEPOWER, VOLTAGE, PHASE, AND CYCLES SHOWN INDICATE ELECTRICAL DESIGN PARAMETERS. CONTRACTOR TO CONFIRM SELECTED COMPRESSOR IS RATED FOR DRY SYSTEM VOLUME INSTALLED.

B. OWNER-PROVIDED ITEM. REFER TO SPECIFICATION 13605 AND MATERIAL SUBMITTAL FOR ADDITIONAL INFORMATION.

C. FIRE PUMP HAS 100 HP THREE-PHASE INDUCTION MOTOR. POWER REQUIREMENTS SHOWN FOR FIRE PUMP CONTROLLER.

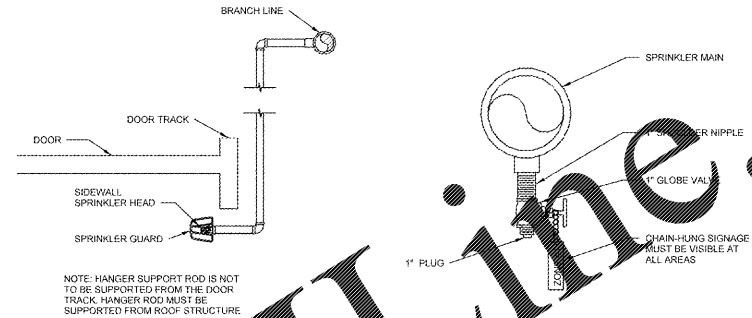


8 AIR RELEASE VENT
NTS



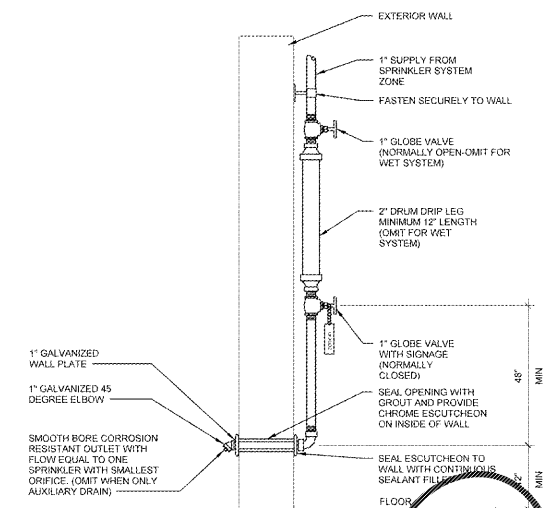
7 COMPACTOR SPRINKLER
NTS

NOTE TO CONTRACTOR: COORDINATE LOCATION OF DRY SIDEWALL WITH GC AND TRASH CHUTE MANUFACTURER. THE LOCATION OF THE DRY SIDEWALL MUST MEET ALL NFPA 13 AND LOCAL GUIDELINES.

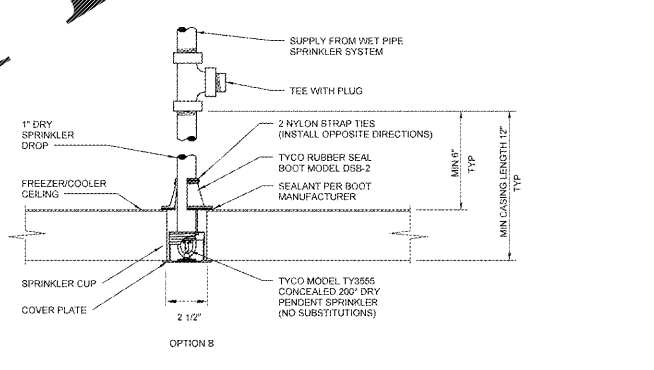
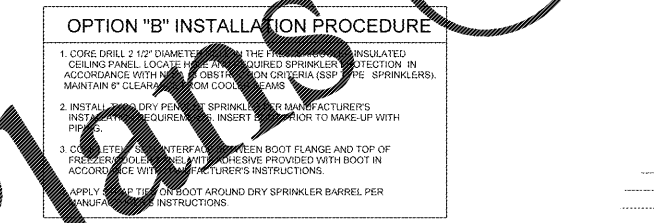


5 AUXILIARY DRAIN
NTS

6 ROLL-UP DOOR
NTS



4 PIPE WALL HANGING DETAIL
NTS



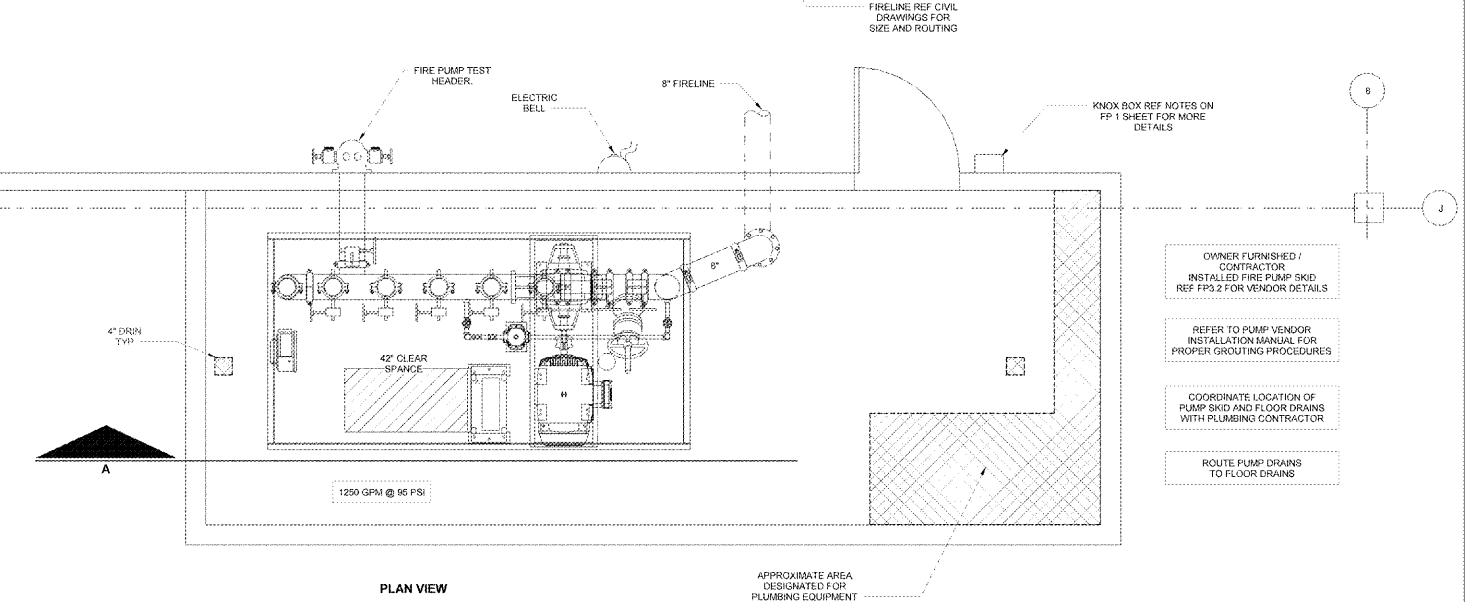
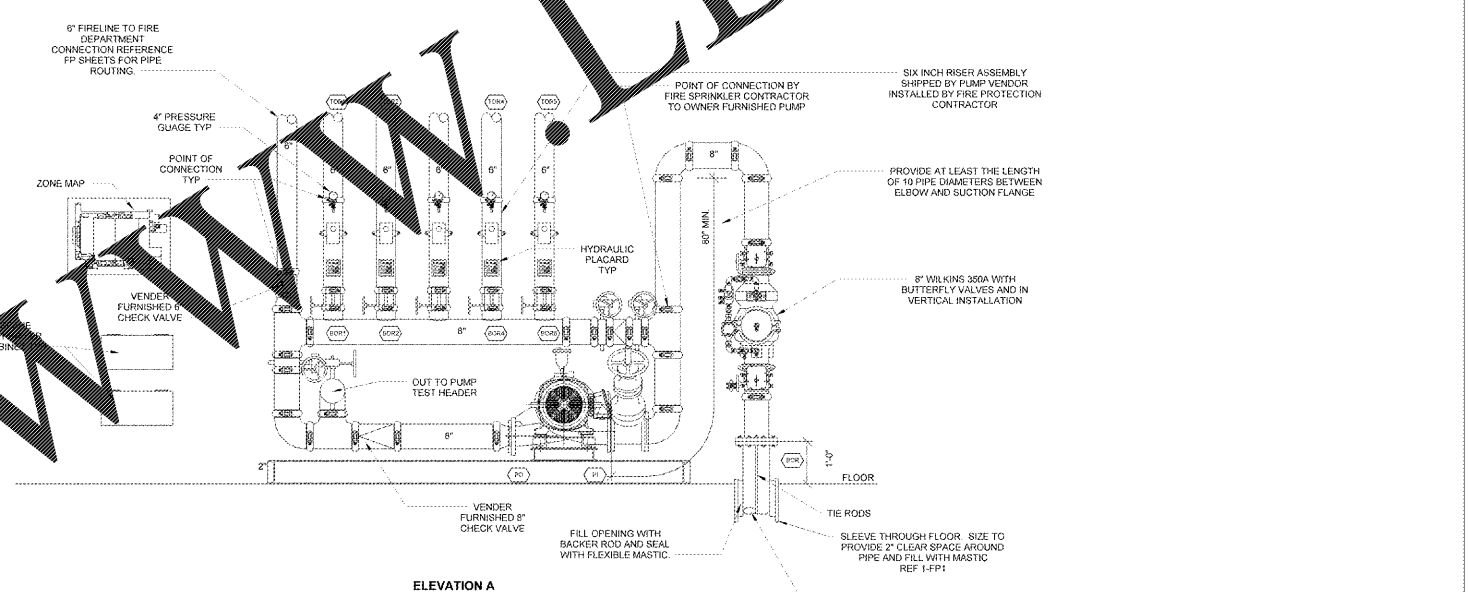
2 FREEZER COOLER DRY PENDENT
NTS

OPTION "A" INSTALLATION PROCEDURE

- CORE DRILL 2 1/2" DIAMETER HOLE IN THE FREEZER/COOLER INSULATED CEILING PANEL. LOCATE HOLE AND REQUIRED SPRINKLER PROTECTION IN ACCORDANCE WITH NFPA 13 OBSTRUCTION CRITERIA (SSP TYPE SPRINKLERS). MAINTAIN 6" CLEARANCE FROM COOLER SEAMS.
- INSTALL DRY PENDENT SPRINKLER PER MANUFACTURER'S INSTALLATION REQUIREMENTS.
- COMPLETELY FILL ANNULAR CEILING OPENING BETWEEN THE ESCUTCHEON AND TOP OF CEILING PANEL WITH OPEN-CELL POLYETHYLENE FOAM BACKER ROD. EXPANDED FOAM IS NOT PERMITTED.
- INJECT DOW CORNING 739 PLASTIC ADHESIVE SEALANT INTO AND AROUND THE TOP OF THE FREEZER/COOLER CEILING CORE OPENING IN ACCORDANCE WITH SEALANT MANUFACTURER'S INSTRUCTIONS.

OPTION "B" INSTALLATION PROCEDURE

- CORE DRILL 2 1/2" DIAMETER HOLE IN THE FREEZER/COOLER INSULATED CEILING PANEL. LOCATE HOLE AND REQUIRED SPRINKLER PROTECTION IN ACCORDANCE WITH NFPA 13 OBSTRUCTION CRITERIA (SSP TYPE SPRINKLERS). MAINTAIN 6" CLEARANCE FROM COOLER SEAMS.
- INSTALL DRY PENDENT SPRINKLER PER MANUFACTURER'S INSTALLATION REQUIREMENTS. INSERT TIE ROD TO MAKE-UP WITH PIPE.
- COMPLETELY FILL ANNULAR CEILING OPENING BETWEEN BOOT FLANGE AND TOP OF FREEZER/COOLER CEILING WITH ADHESIVE PROVIDED WITH BOOT IN ACCORDANCE WITH MANUFACTURER'S INSTRUCTIONS.
- APPLY SEALANT TO BOOT AROUND DRY SPRINKLER BARREL PER MANUFACTURER'S INSTRUCTIONS.



1 ELECTRIC FIRE PUMP
NTS

WWW.LDLINE.COM

Order Plans

RETAIL DESIGN COLLABORATIVE

STIPULATION FOR USE: THIS DRAWING IS THE PROPERTY OF LDLINE AND IS TO BE USED ONLY FOR THE PROJECT AND SITE SPECIFICALLY IDENTIFIED HEREIN. IT IS NOT TO BE REPRODUCED, COPIED, OR TRANSMITTED IN ANY FORM OR BY ANY MEANS, ELECTRONIC OR MECHANICAL, INCLUDING PHOTOCOPYING, RECORDING, OR BY ANY INFORMATION STORAGE AND RETRIEVAL SYSTEM, WITHOUT THE WRITTEN PERMISSION OF LDLINE. ANY UNAUTHORIZED USE OF THIS DRAWING IS PROHIBITED AND WILL BE SUBJECT TO LEGAL ACTION.

CONSULTANTS: **Ricky A. Terrell**

Walmart
LEESBURG, VIRGINIA
STORE NO.: 1904
11000/261 : PHOTO
JOB NUMBER: 042817

ISSUE BLOCK
11/30/17 : OTB

CHECKED BY: ERP
DRAWN BY: REI
FILE NAME: FP3
PROTO CYCLE: 19585
DOCUMENT DATE: 09/13/17

BID SET NOT FOR CONSTRUCTION

FIRE PROTECTION DETAILS

SHEET: FP3