

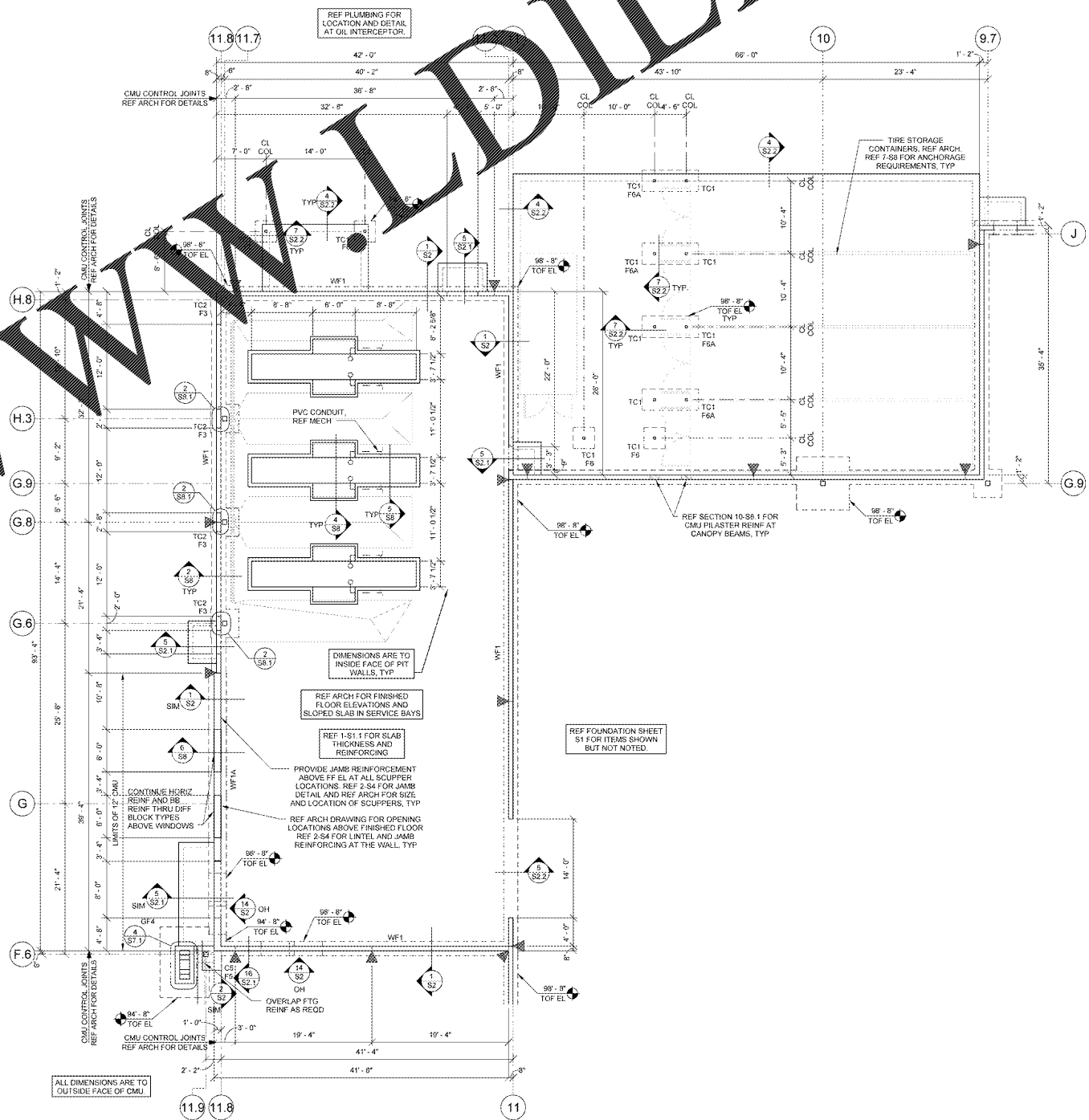
ISSUE BLOCK	
OTB	11/30/17

CHECKED BY: BCB
 DRAWN BY: BWN
 PROTO CYCLE: 04/28/17
 DOCUMENT DATE: 09/13/17
 JBA PROJECT NO: 96601904R

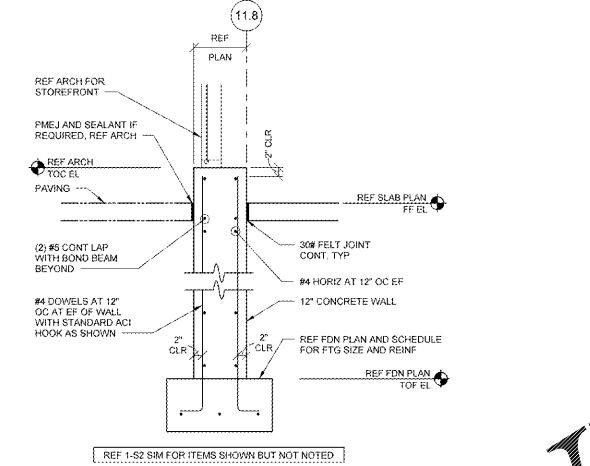
**BID SET
 NOT FOR
 CONSTRUCTION**

**AUTO
 CENTER
 FOUNDATION
 PLAN AND
 DETAILS**

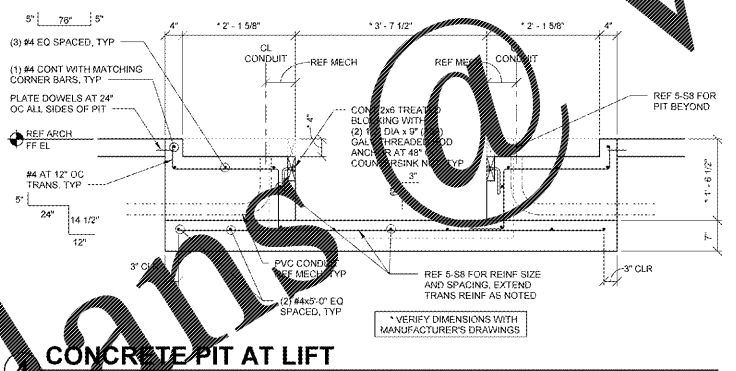
SHEET: **S8**



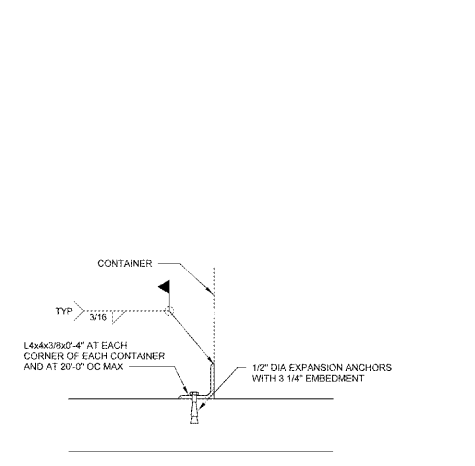
1 AUTO CENTER FOUNDATION PLAN
 1/8" = 1'-0"



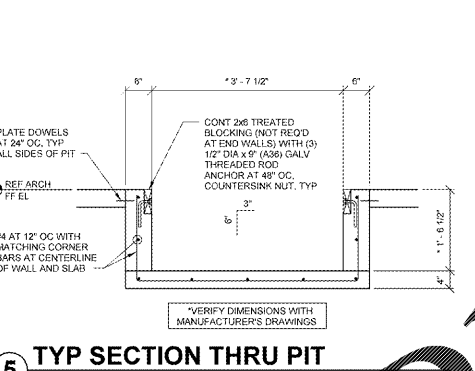
6 WALL SECTION BELOW WINDOW
 3/4" = 1'-0"



2 OVERHEAD DOOR OPENING SECTION
 3/4" = 1'-0"



7 CONTAINER ATTACHMENT
 1 1/2" = 1'-0"



3 NOT USED
 NTS

Order Plans @
WWW.WALMARTDLINE.COM