

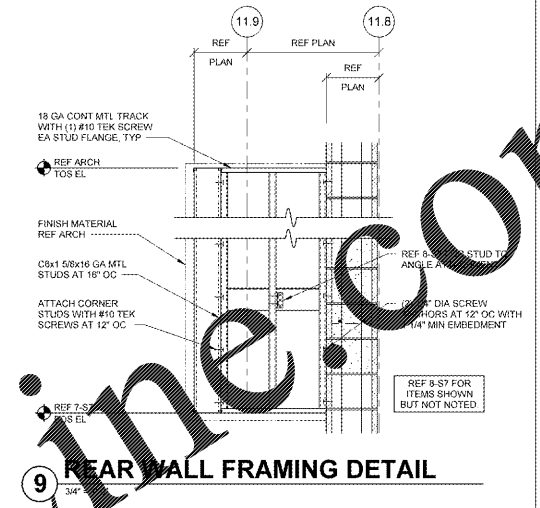
ISSUE BLOCK	
OTB	11/30/17

CHECKED BY: BCB
DRAWN BY: BWN
PROTO CYCLE: 04/28/17
DOCUMENT DATE: 09/13/17
JBA PROJECT NO: 96601904R

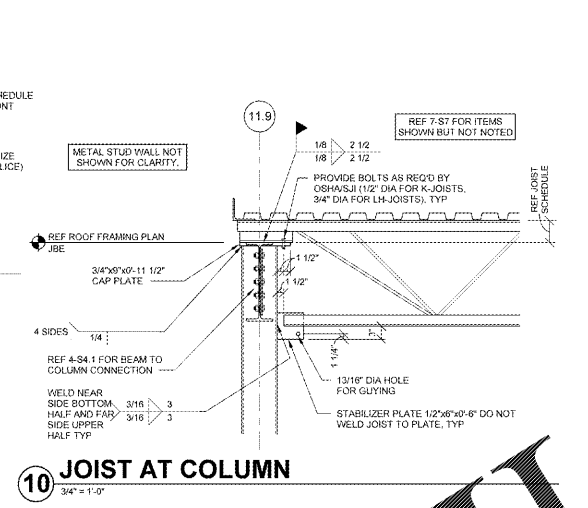
BID SET
NOT FOR
CONSTRUCTION

ENLARGED
FRAMING
PLANS

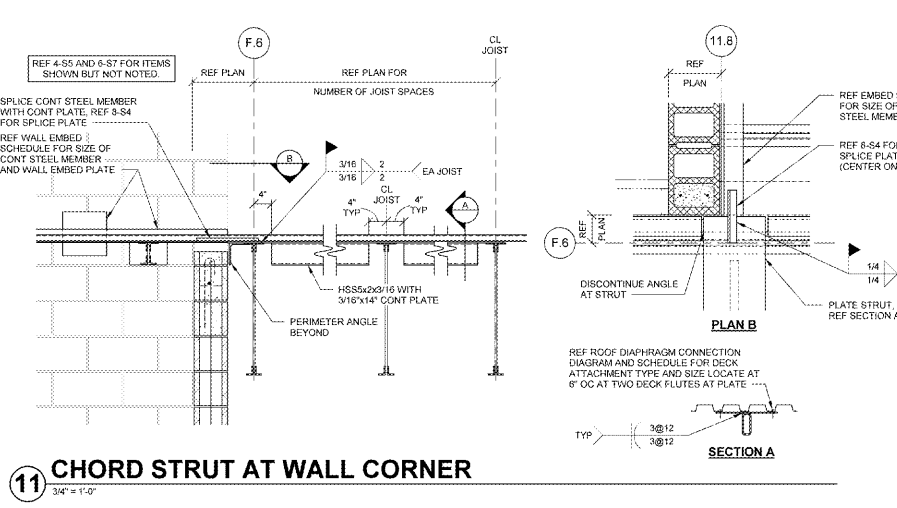
SHEET:
S7



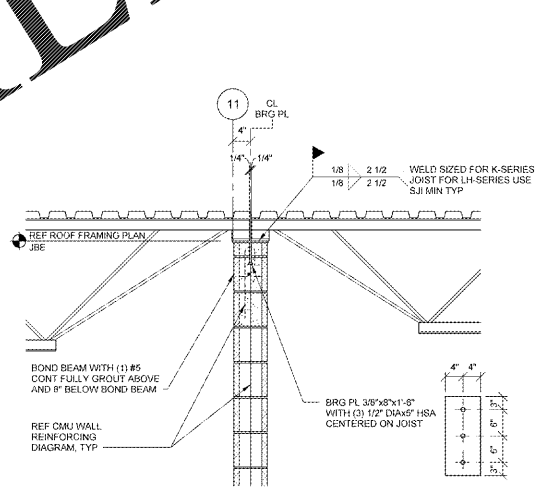
9 REAR WALL FRAMING DETAIL
3/4" = 1'-0"



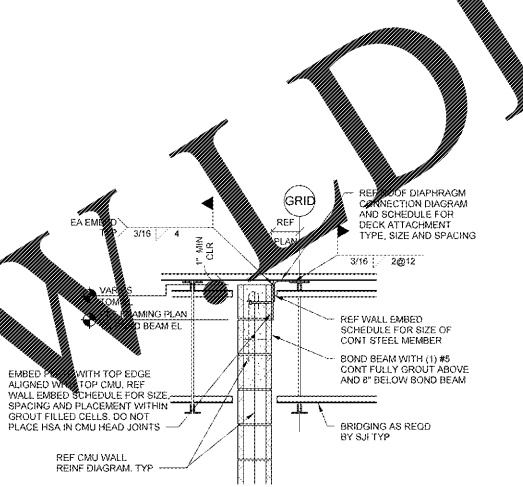
10 JOIST AT COLUMN
3/4" = 1'-0"



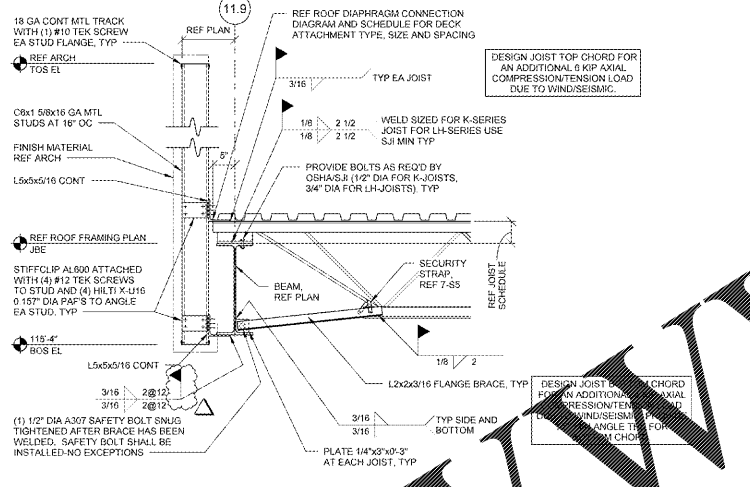
11 CHORD STRUT AT WALL CORNER
3/4" = 1'-0"



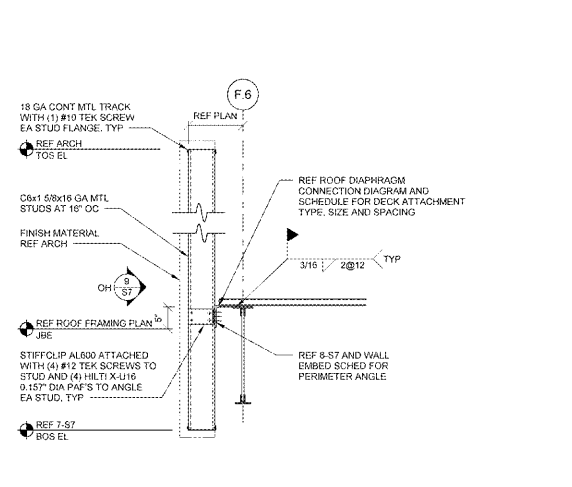
5 COMMON CMU WALL SECTION
3/4" = 1'-0"



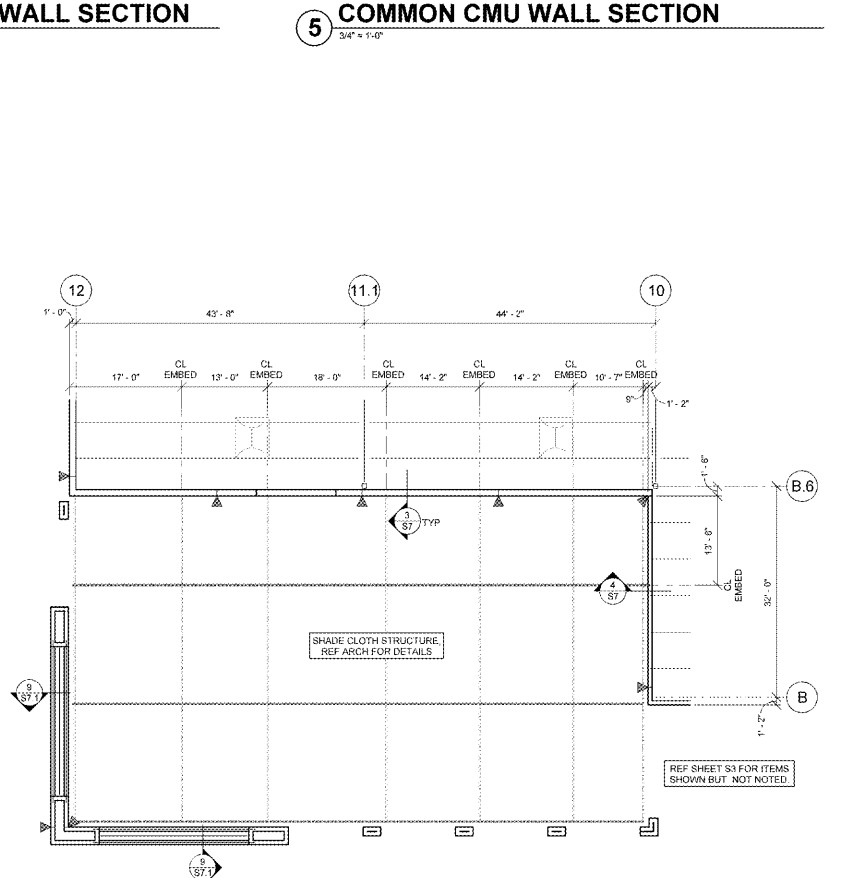
6 COMMON CMU WALL SECTION
3/4" = 1'-0"



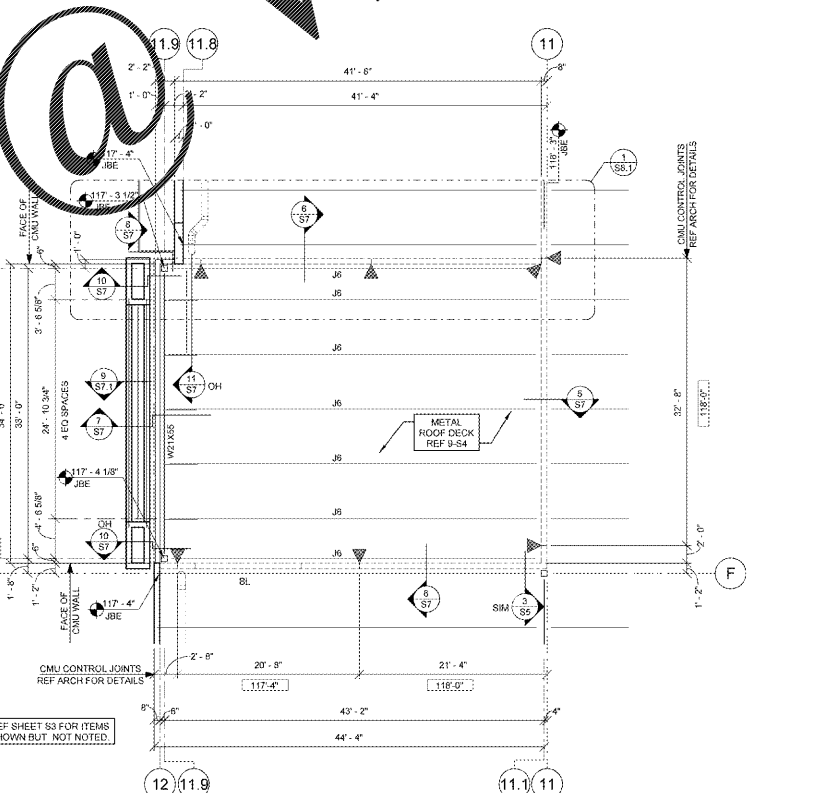
7 SIDE WALL AT MTL STUD HEADER
3/4" = 1'-0"



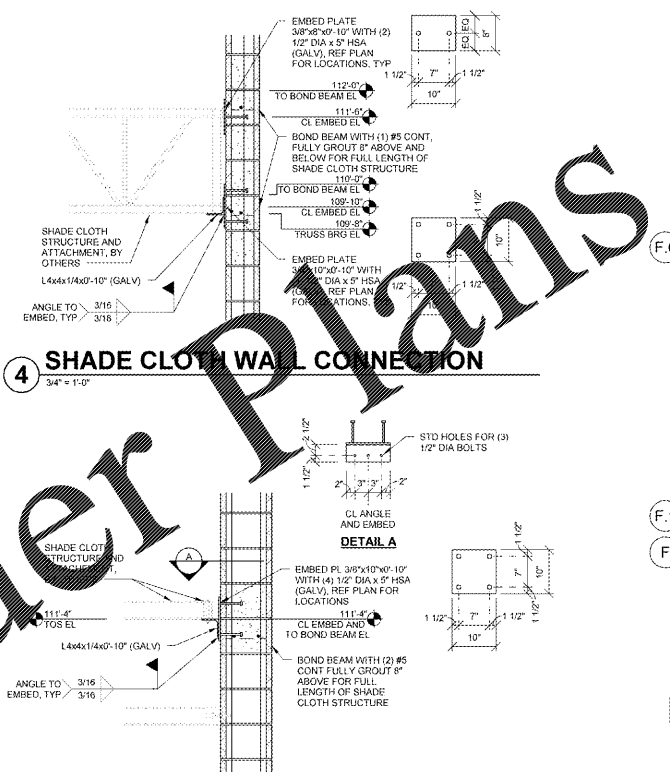
8 REAR WALL AT MTL STUD HEADER
3/4" = 1'-0"



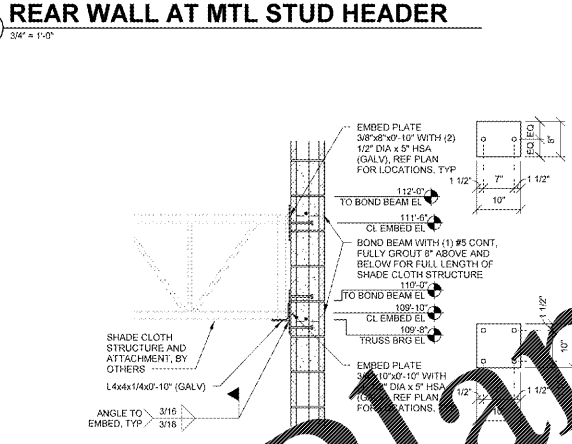
1 SHADE CLOTH FRAMING PLAN
3/32" = 1'-0"



2 EXTERIOR STORAGE AREA FRAMING PLAN
1/8" = 1'-0"



3 SHADE CLOTH WALL CONNECTION
3/4" = 1'-0"



4 SHADE CLOTH WALL CONNECTION
3/4" = 1'-0"

Order Plans @