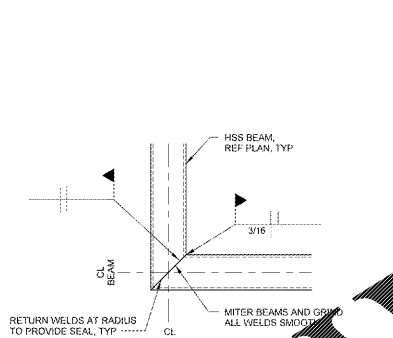
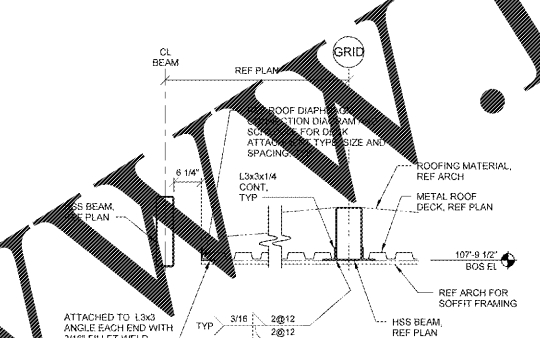


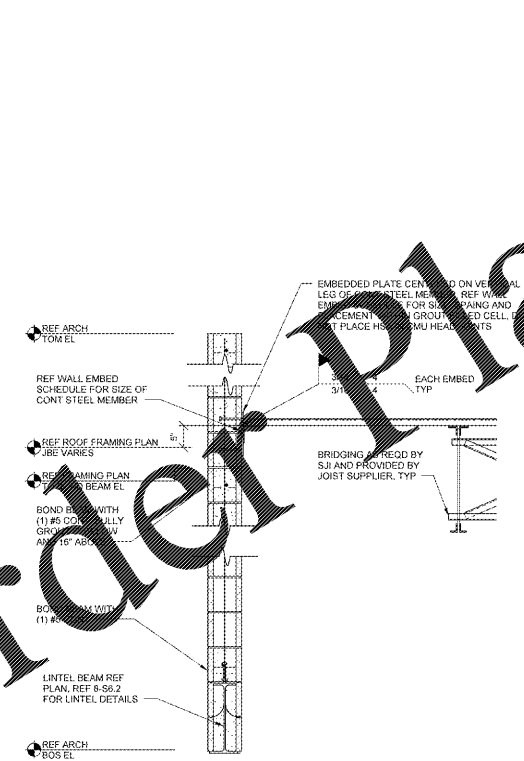
**8 LINTEL BEAM BEARING SECTION**  
3/4" x 1'-0"



**7 PERIMETER BEAM CORNER**  
1 1/2" x 1'-0"



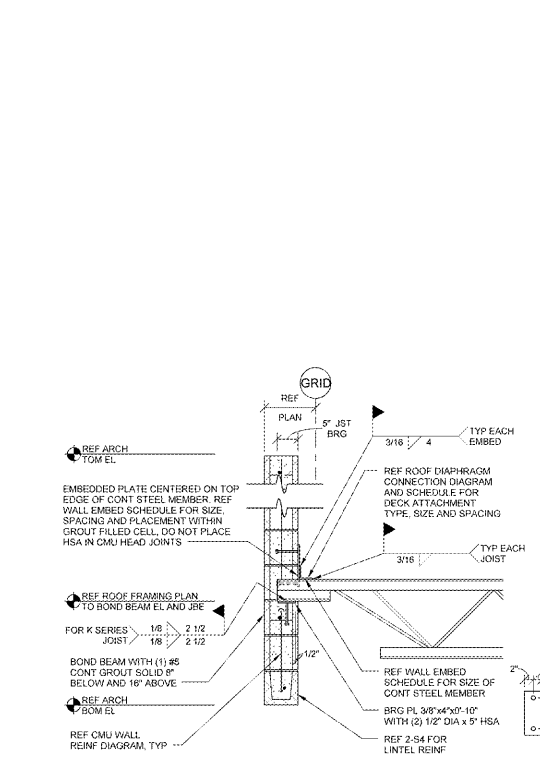
**6 ENTRY CANOPY SIDE SECTION**  
3/4" x 1'-0"



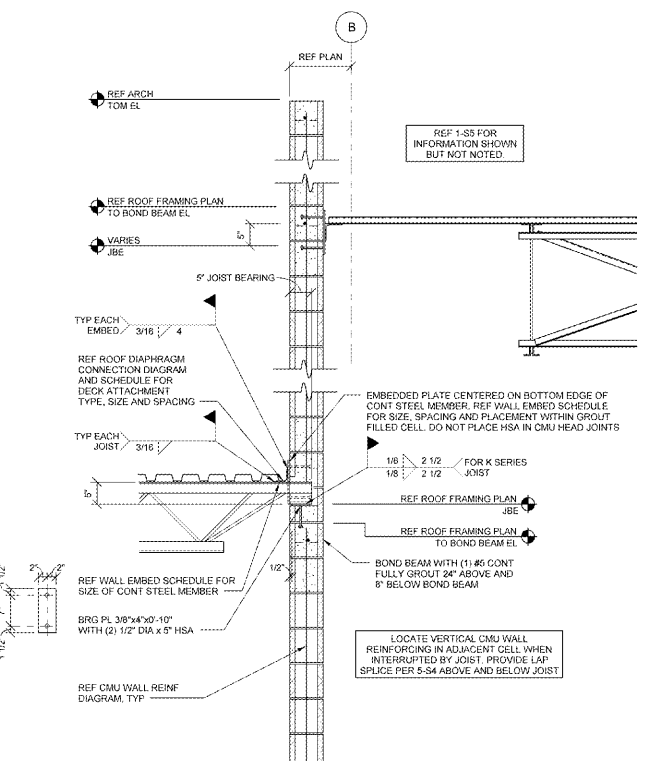
**4 CART STORAGE SIDE WALL SECTION**  
3/4" x 1'-0"



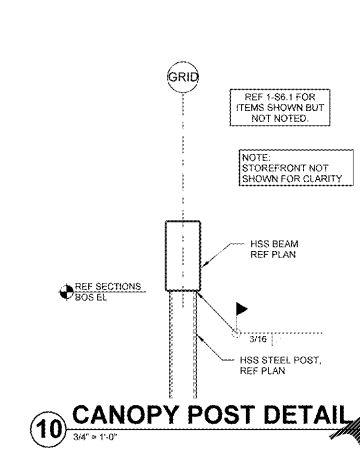
**3 NOT USED**  
N/A



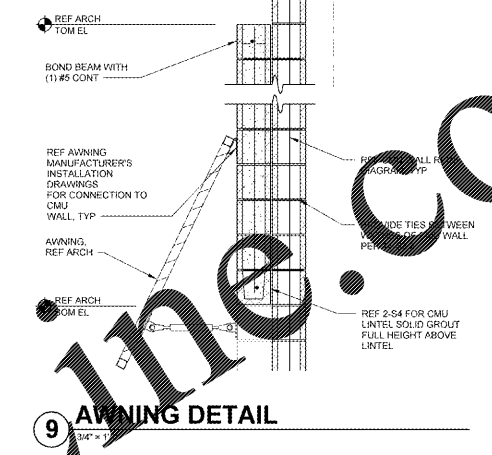
**2 JOIST BEARING AT CART STORAGE**  
3/4" x 1'-0"



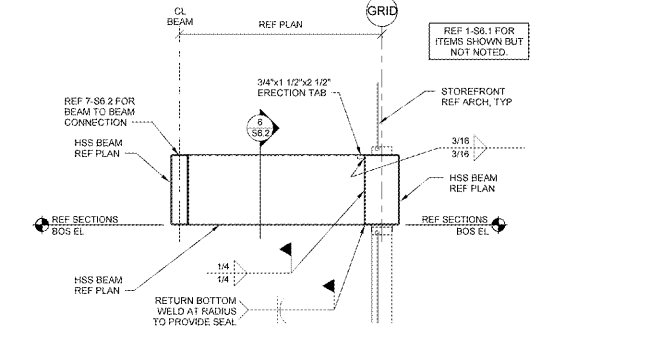
**1 CART STORAGE ROOF STEP**  
3/4" x 1'-0"



**10 CANOPY POST DETAIL**  
3/4" x 1'-0"



**9 AWNING DETAIL**  
3/4" x 1'-0"



**5 CANOPY FRAMING DETAIL**  
3/4" x 1'-0"

Order Plans @

WWW.LDILLINE.COM