

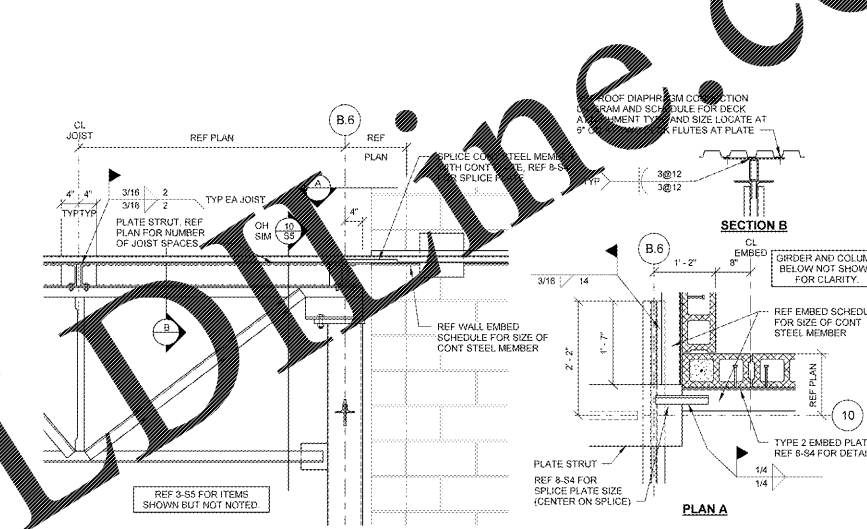
**ISSUE BLOCK**

OTB	11/30/17

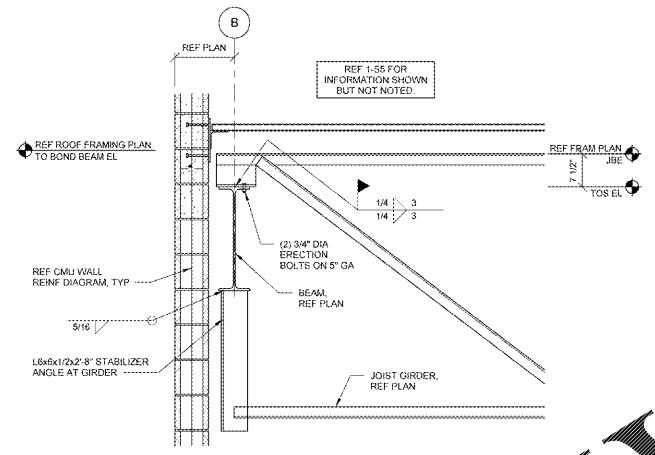
CHECKED BY: BCB  
 DRAWN BY: BWN  
 PROTO CYCLE: 04/28/17  
 DOCUMENT DATE: 09/13/17  
 JBA PROJECT NO: 98601904R

**BID SET NOT FOR CONSTRUCTION**

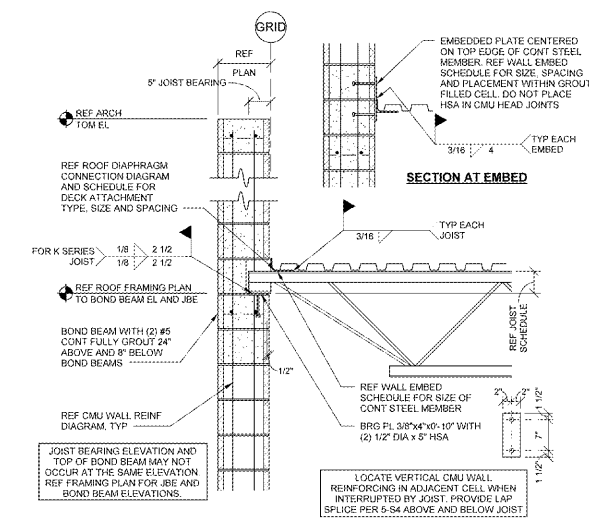
**FRAMING DETAILS**



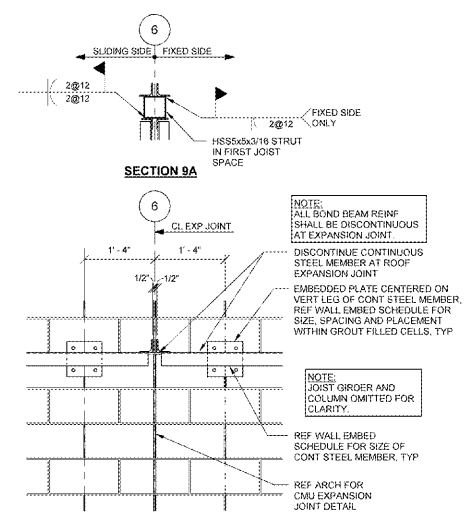
**10 DRAG STRUT AT FRONT WALL CORNER**  
 3/4" = 1'-0"



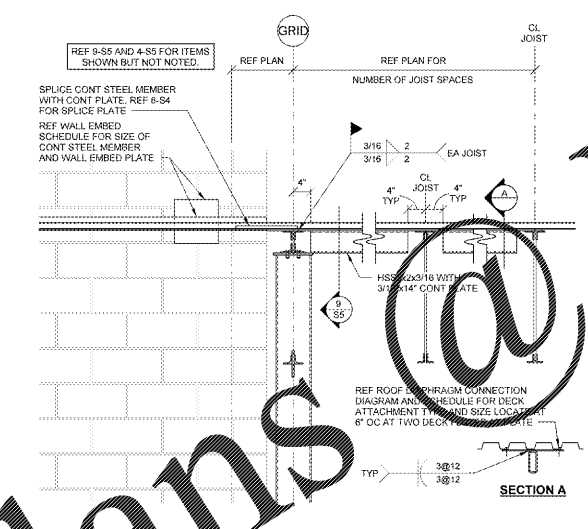
**11 TRANSFER BEAM DETAIL**  
 3/4" = 1'-0"



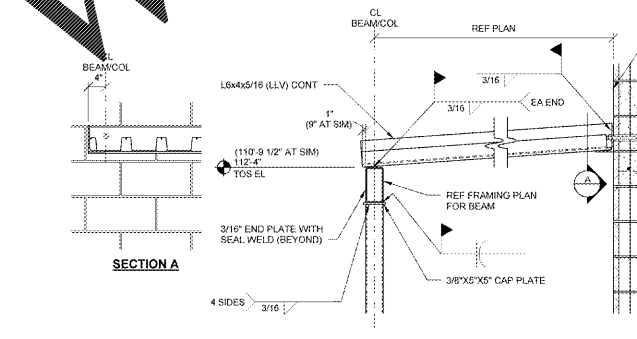
**12 SIDE WALL SECTION AT 12" CMU**  
 3/4" = 1'-0"



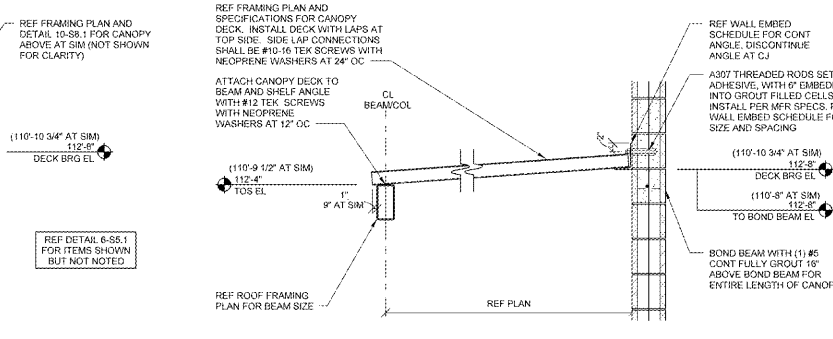
**9 CMU EXPANSION JOINT IN WALL**  
 3/4" = 1'-0"



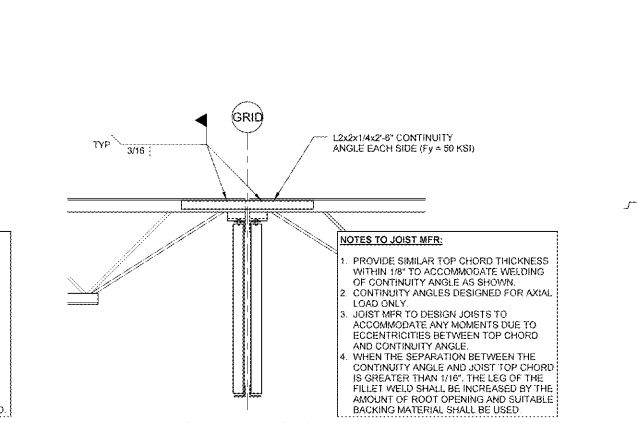
**8 DRAG STRUT AT WALL CORNER**  
 3/4" = 1'-0"



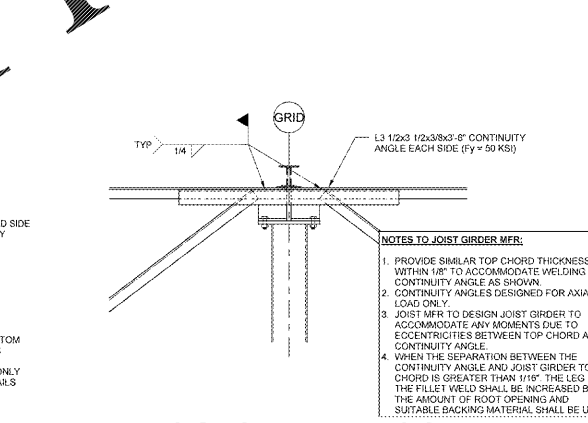
**7 STORAGE CANOPY END SECTION**  
 3/4" = 1'-0"



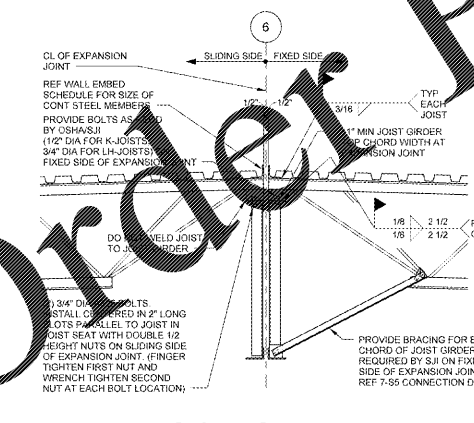
**6 STORAGE CANOPY MID SECTION**  
 3/4" = 1'-0"



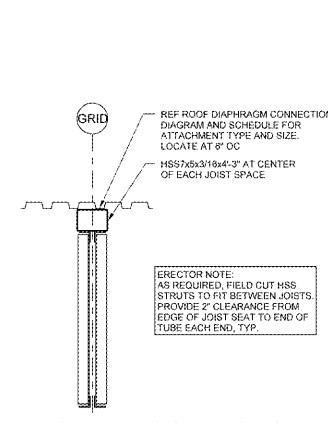
**3 JOIST DRAG STRUT**  
 3/4" = 1'-0"



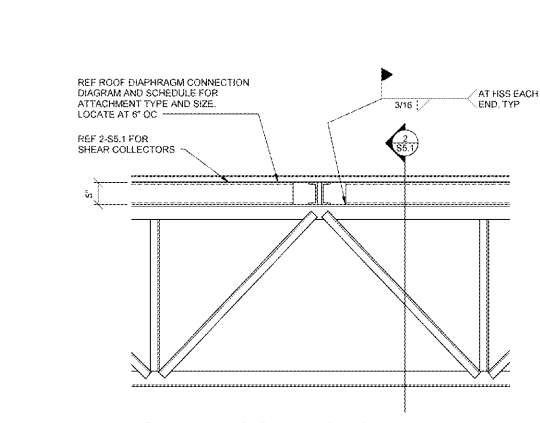
**4 JOIST GIRDER DRAG STRUT**  
 3/4" = 1'-0"



**5 EXPANSION JOINT DETAIL**  
 3/4" = 1'-0"



**2 SHEAR COLLECTOR**  
 3/4" = 1'-0"



**1 SHEAR COLLECTOR**  
 3/4" = 1'-0"

**WWW.LDOnline.com**

**Order Plans**