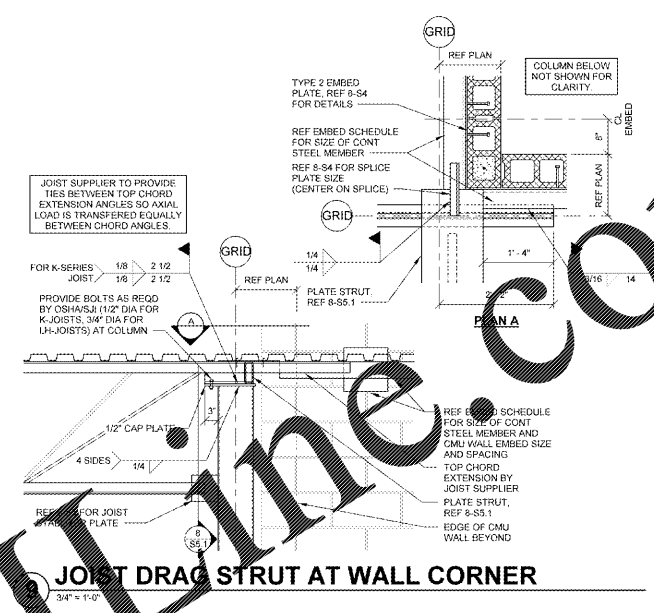


ISSUE BLOCK	
OTB	11/30/17

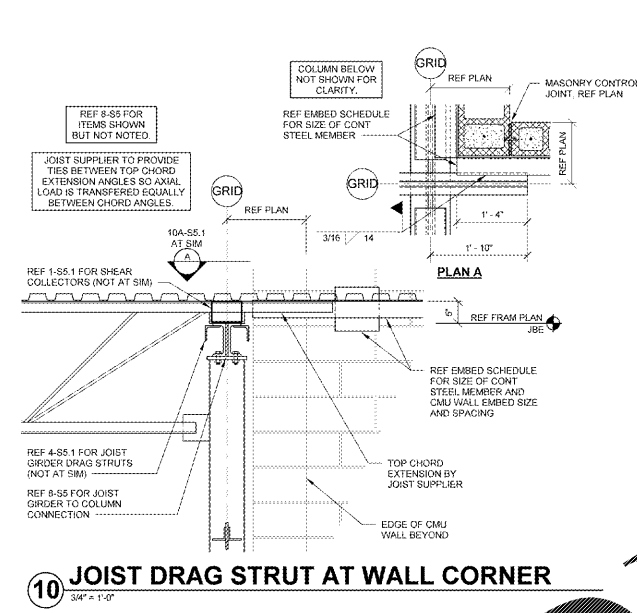
CHECKED BY:	BCB
DRAWN BY:	BWN
PROTO CYCLE:	04/28/17
DOCUMENT DATE:	09/13/17
JBA PROJECT NO:	96601904R

BID SET NOT FOR CONSTRUCTION

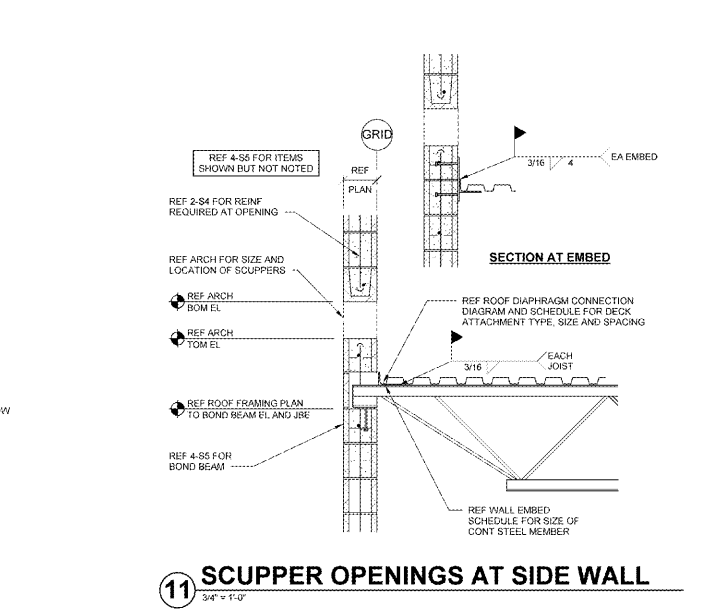
FRAMING DETAILS



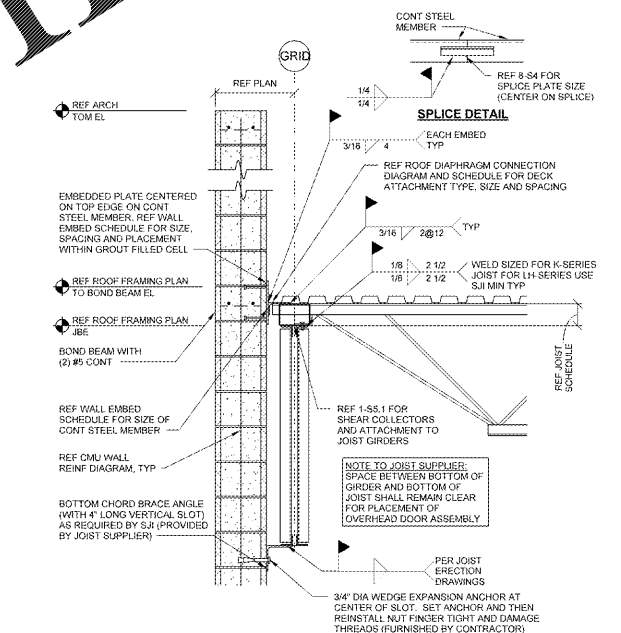
10 JOIST DRAG STRUT AT WALL CORNER
3/4" x 1'-0"



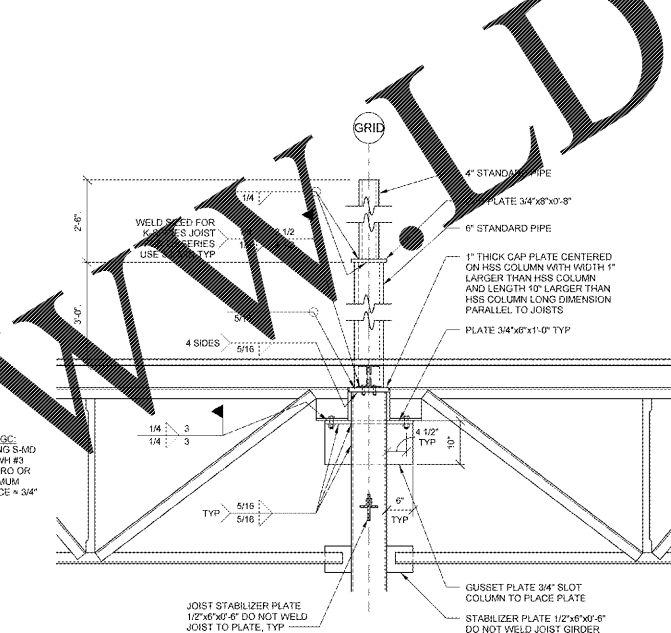
11 SCUPPER OPENINGS AT SIDE WALL
3/4" x 1'-0"



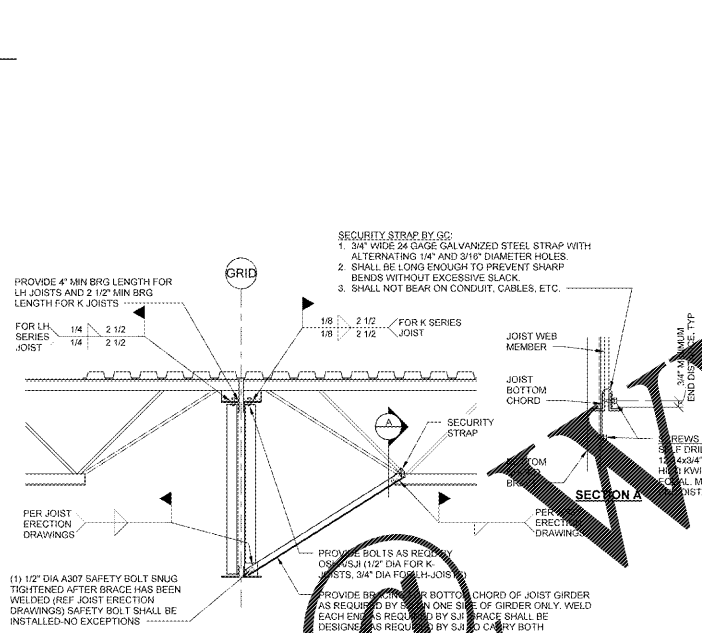
12 FRONT WALL SECTION AT SIGNAGE
3/4" x 1'-0"



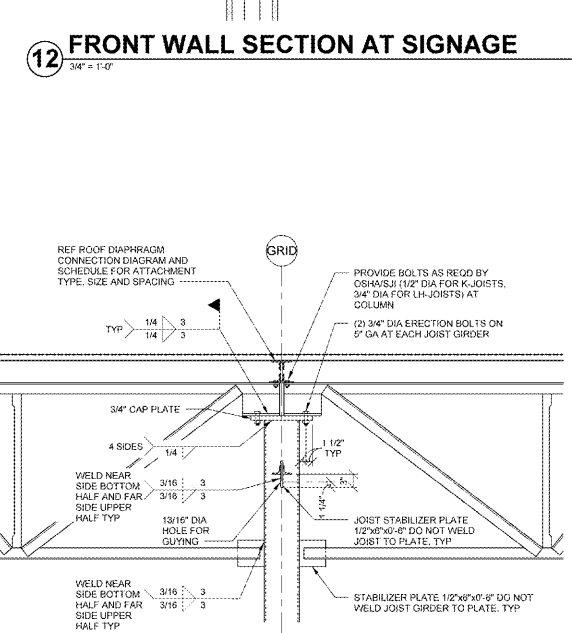
5 HSS WELDED CONNECTION TO CONT ANGLE
3/4" x 1'-0"



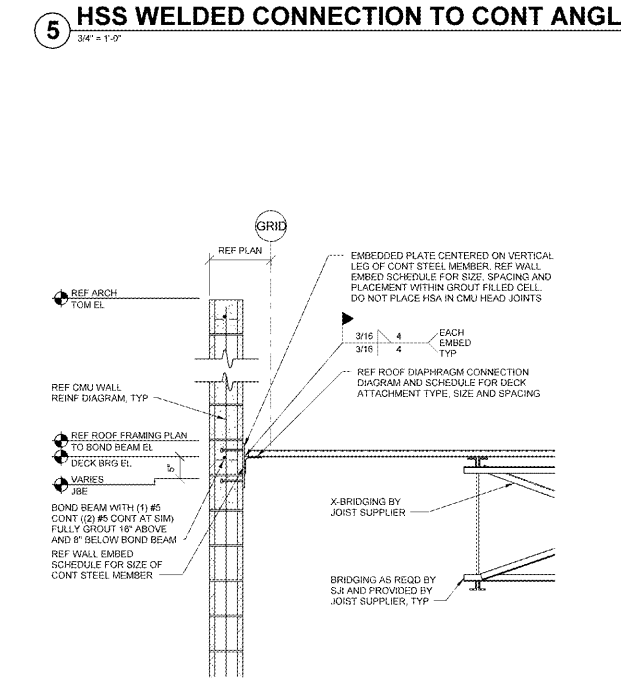
6 SATELLITE DISH SUPPORT
3/4" x 1'-0"



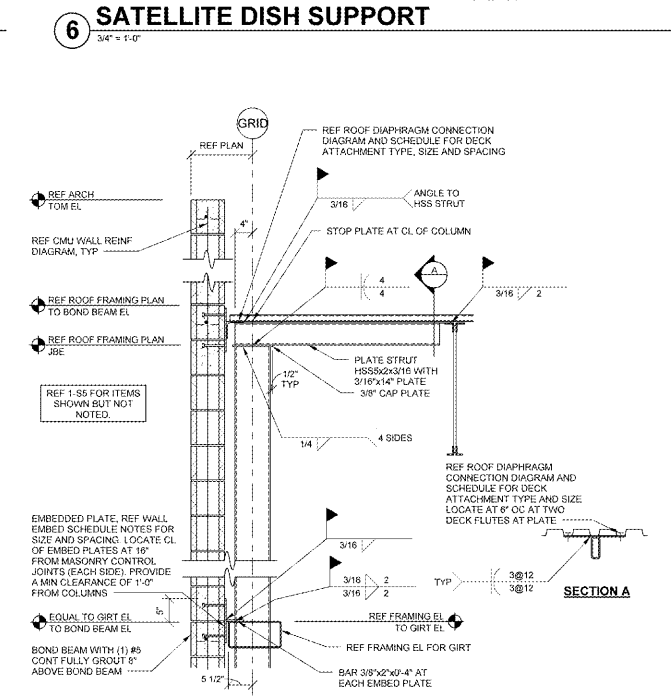
7 JOIST TO JOIST GIRDER
3/4" x 1'-0"



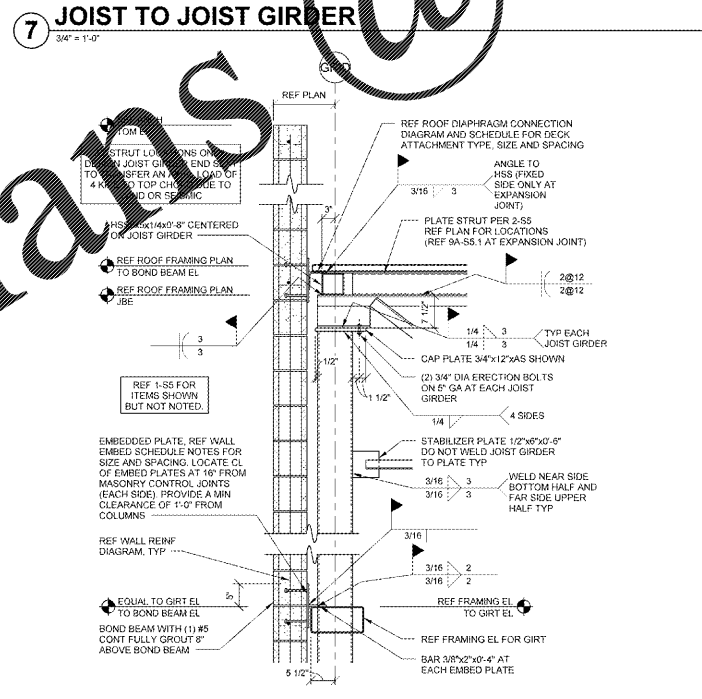
8 JOIST GIRDER TO COLUMN
3/4" x 1'-0"



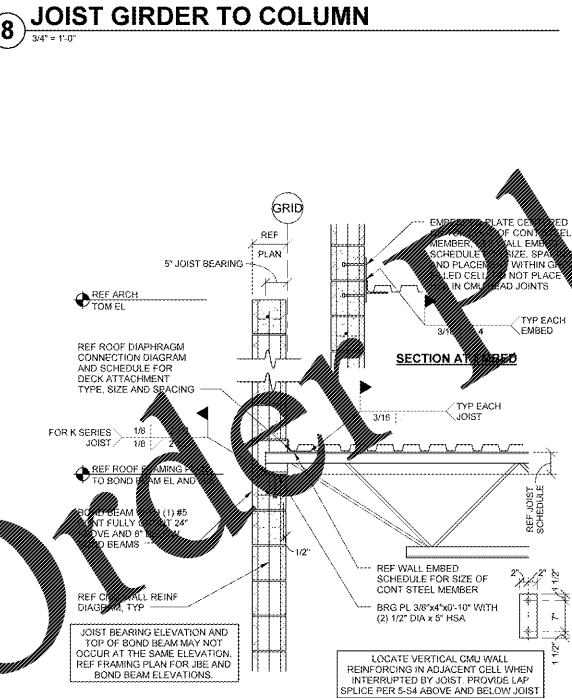
1 FRONT AND REAR WALL SECTION
3/4" x 1'-0"



2 WIND COLUMN
3/4" x 1'-0"



3 GIRDER COLUMN
3/4" x 1'-0"



4 SIDE WALL SECTION AT 8\"/>

WWW.WALMARTPLANS.COM

Order Plans