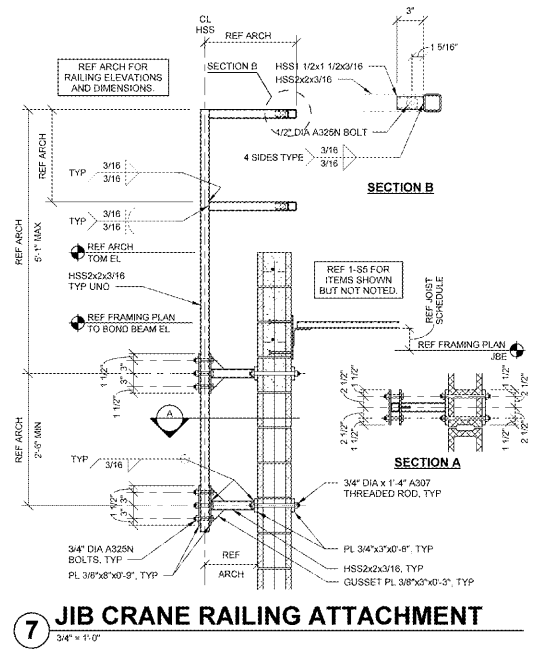
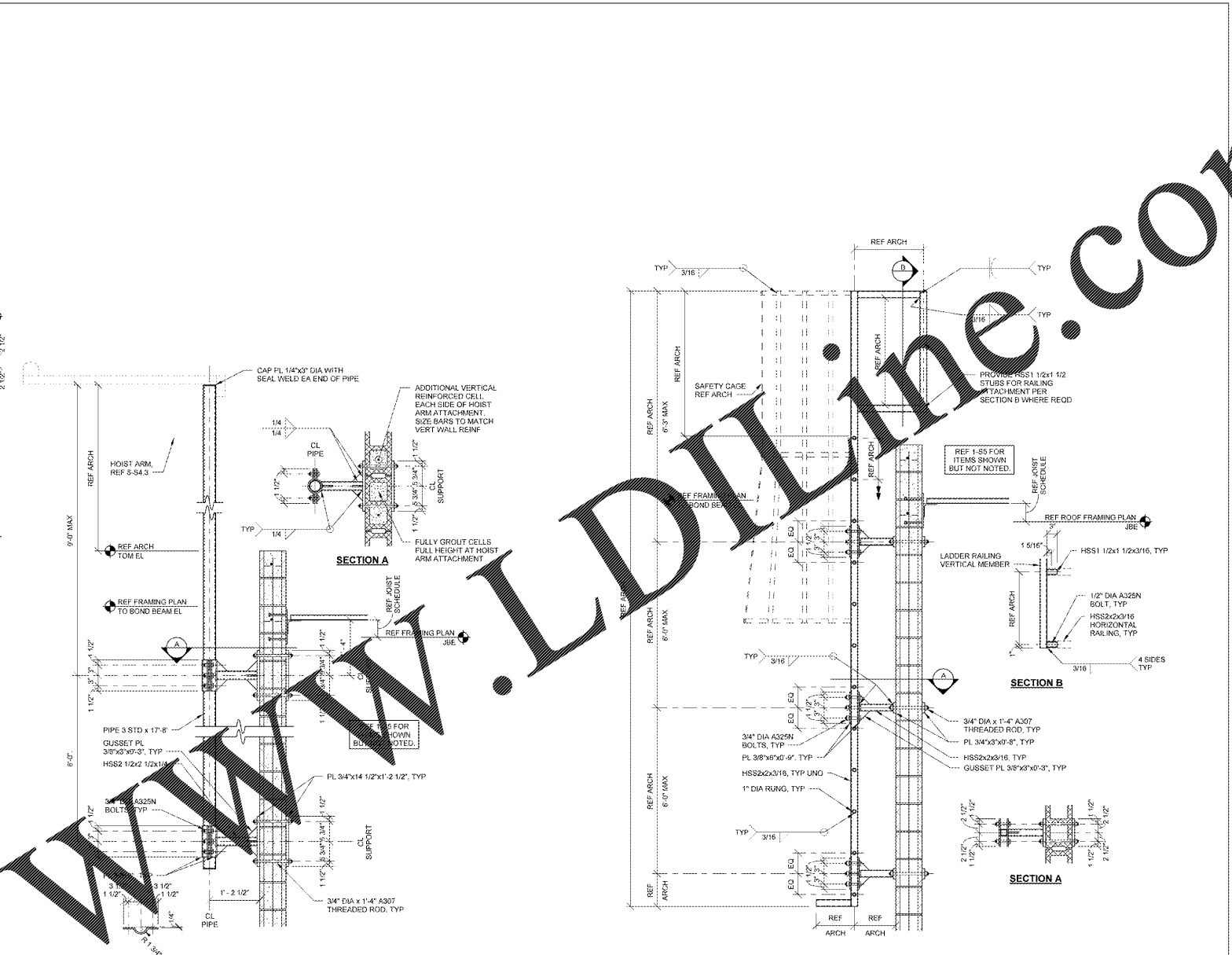


ISSUE BLOCK	
OTB	11/30/17

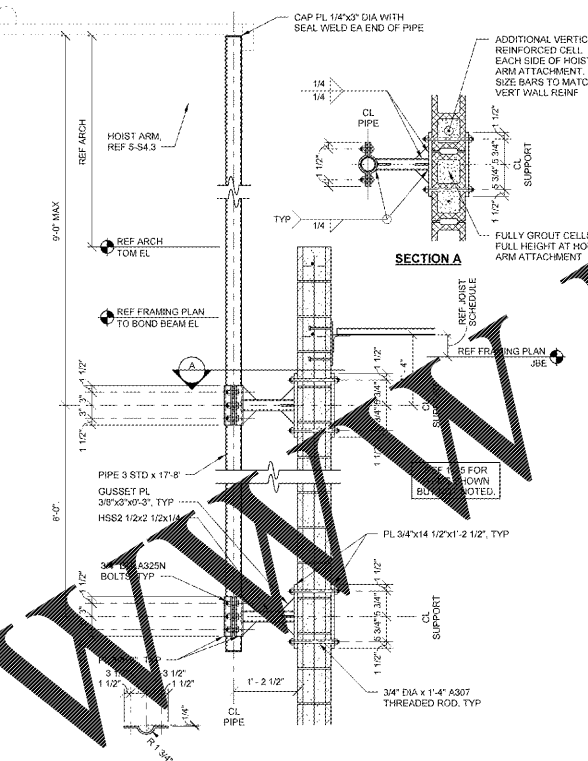
CHECKED BY:	BCB
DRAWN BY:	BVN
PROTO CYCLE:	04/28/17
DOCUMENT DATE:	08/13/17
JBA PROJECT NO:	96601904R

BID SET NOT FOR CONSTRUCTION

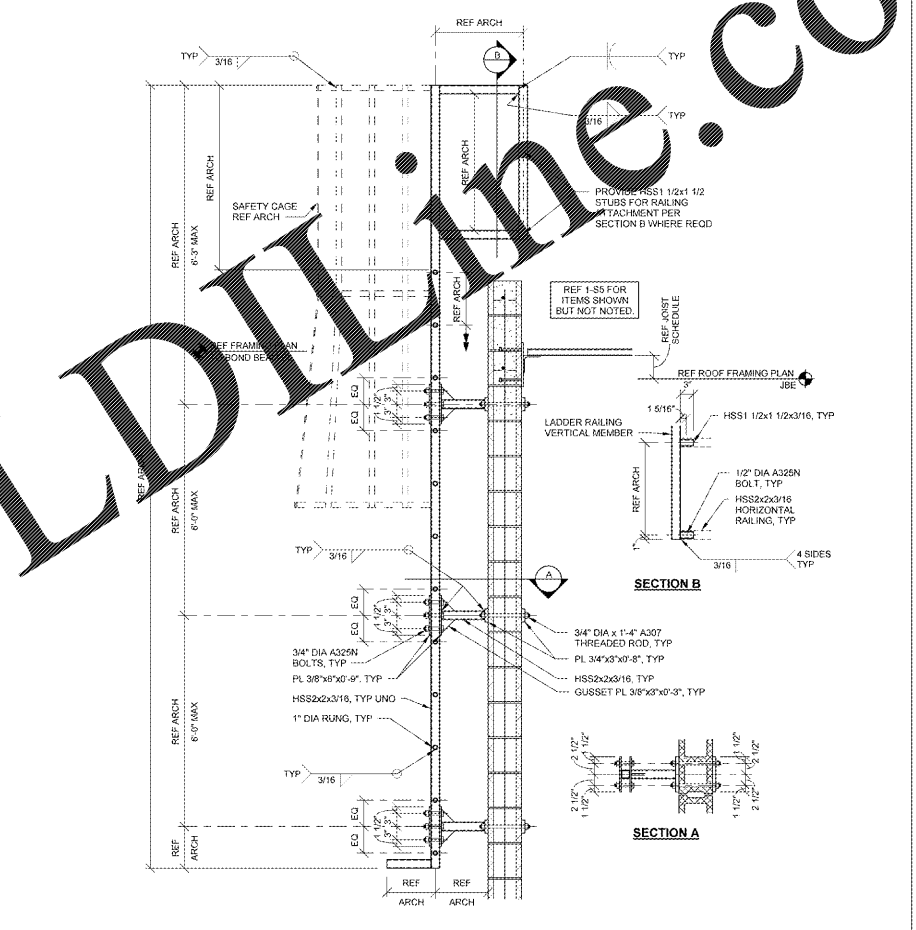
ROOF EQUIPMENT FRAMING PLAN AND DETAILS



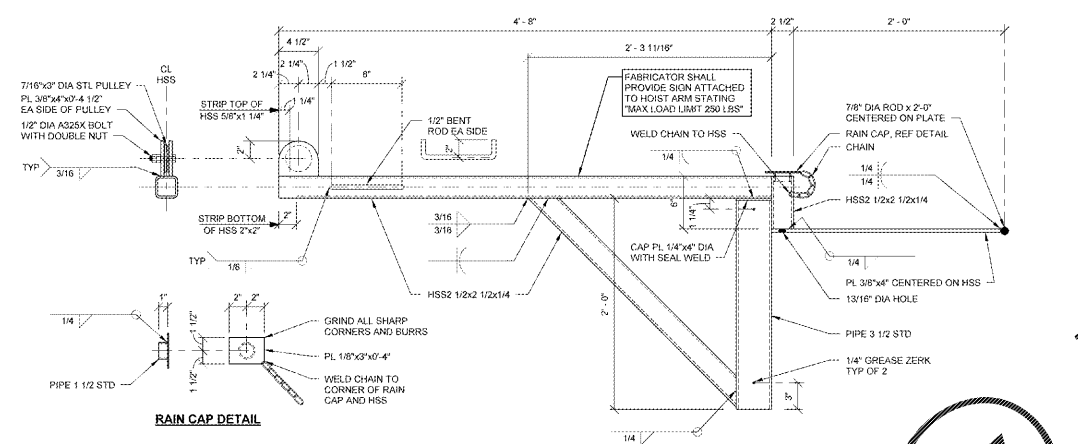
7 JIB CRANE RAILING ATTACHMENT
 3/4" x 1'-0"



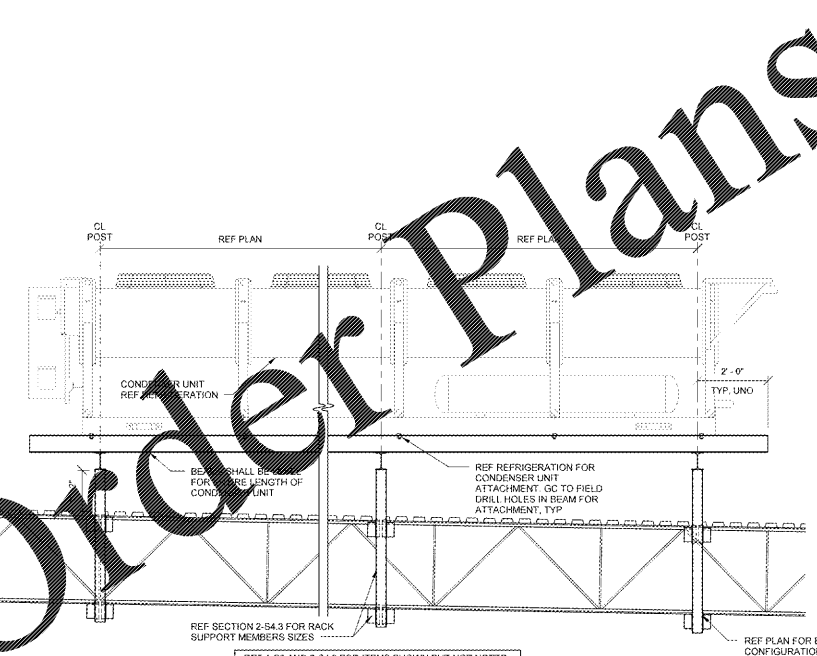
4 JIB CRANE HOIST ARM ATTACHMENT
 3/4" x 1'-0"



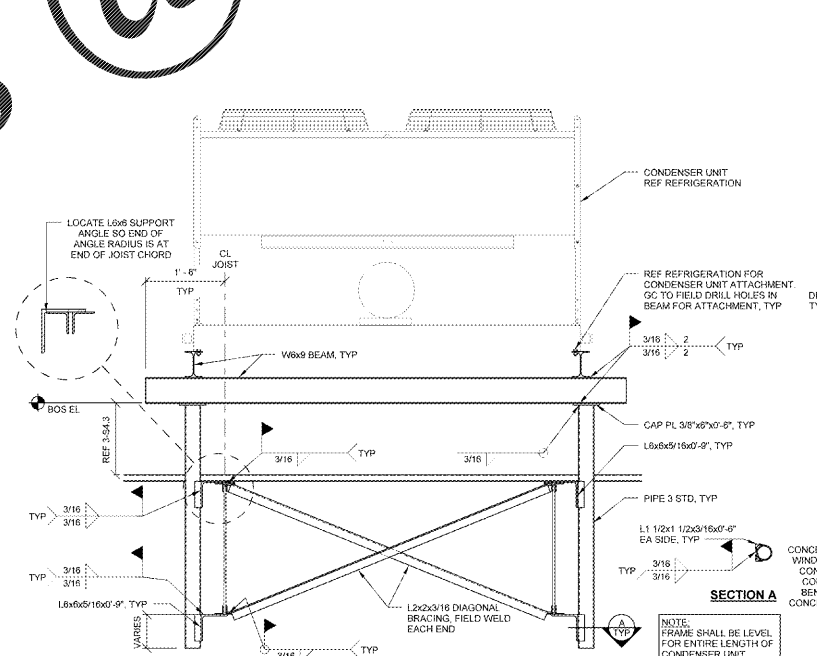
6 LADDER ASSEMBLY ATTACHMENT
 3/4" x 1'-0"



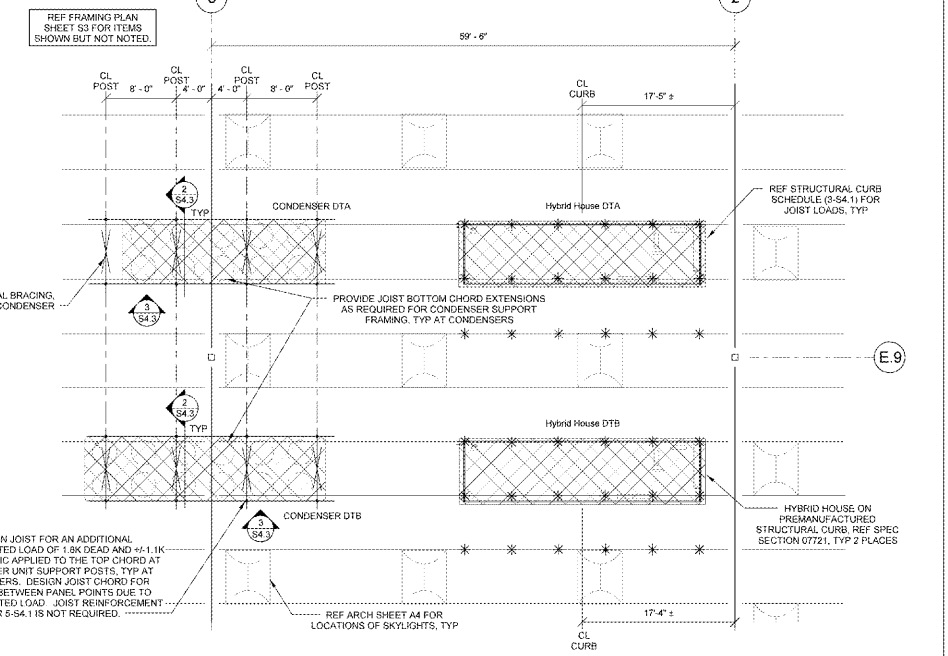
5 JIB CRANE HOIST ARM
 1 1/2" x 1'-0"



3 CONDENSER FRAME SUPPORT ELEVATION
 1/2" x 1'-0"



2 SECTION AT CONDENSER FRAME
 3/4" x 1'-0"



1 REFRIGERATION EQUIPMENT FRAMING PLAN
 1/8" x 1'-0"

Order Plans @