

STIPULATION FOR THE USER: THE DRAWING AND INFORMATION CONTAINED HEREIN ARE FOR THE EXCLUSIVE USE OF THE CLIENT AND ARE NOT TO BE REPRODUCED, COPIED, OR TRANSMITTED IN ANY FORM OR BY ANY MEANS, ELECTRONIC OR MECHANICAL, WITHOUT THE WRITTEN PERMISSION OF RETAIL DESIGN COLLABORATIVE. ANY UNAUTHORIZED USE OF THIS INFORMATION IS PROHIBITED AND WILL BE SUBJECT TO LEGAL ACTION.

**CONSULTANTS**  
 Johnson Mirmiran & Partners  
 1100...  
 jmpartners.com

**Walmart**  
**LEESBURG, VIRGINIA**  
 STORE NO: 1904-05  
 1/19/2018 | PROTO: C-190-LSL-CL

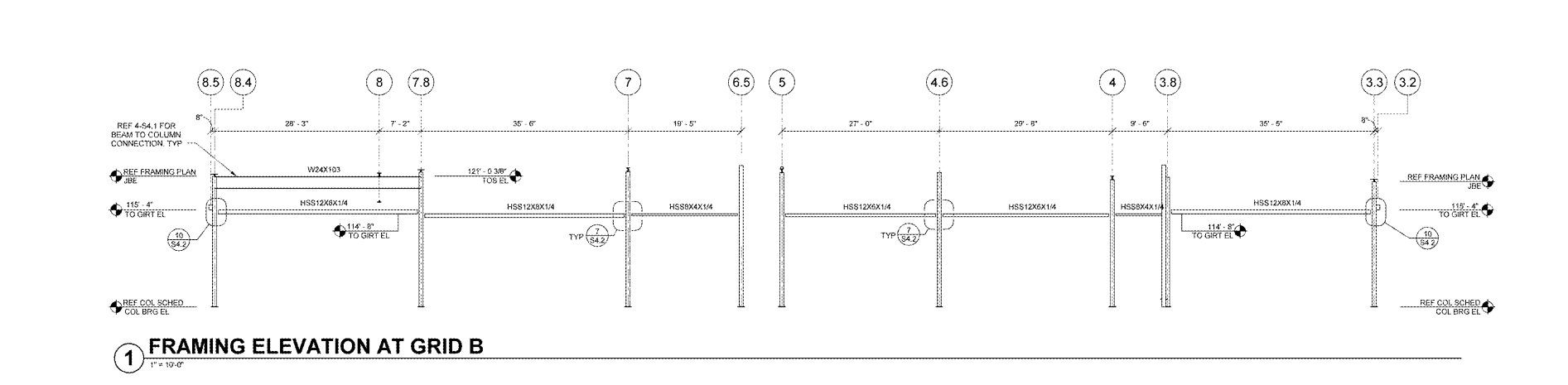
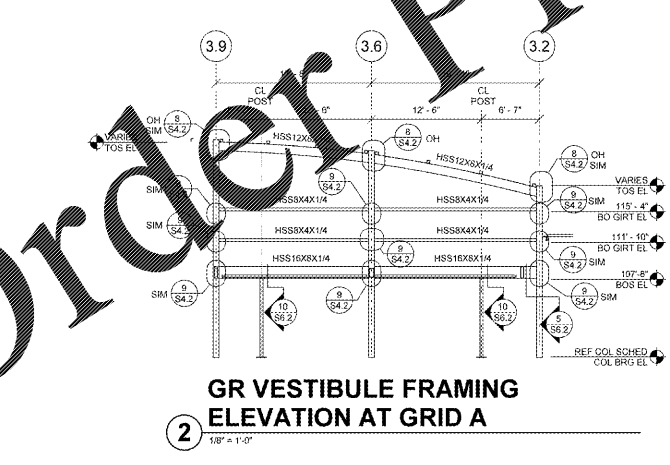
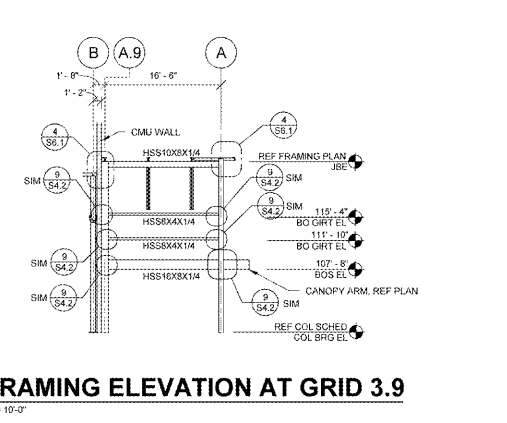
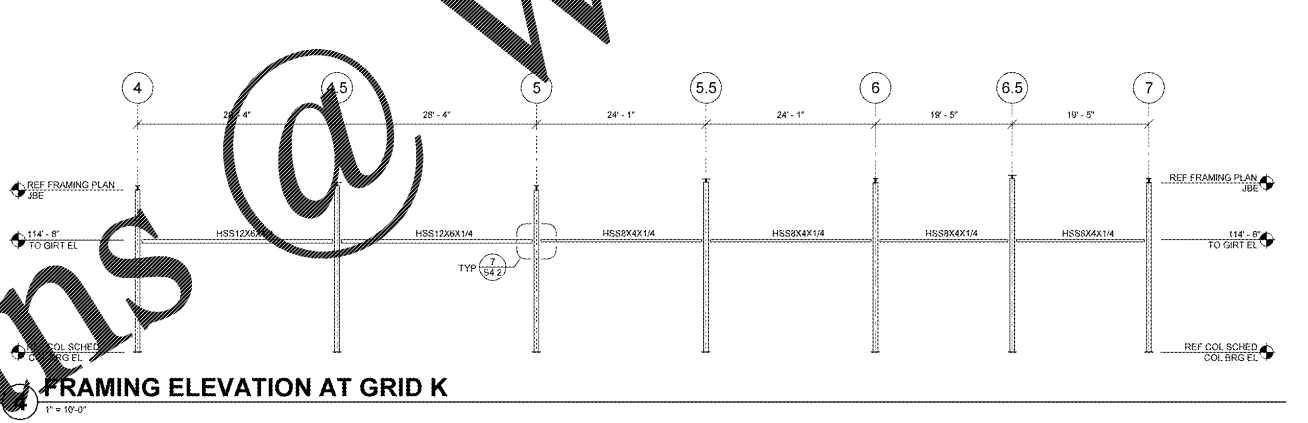
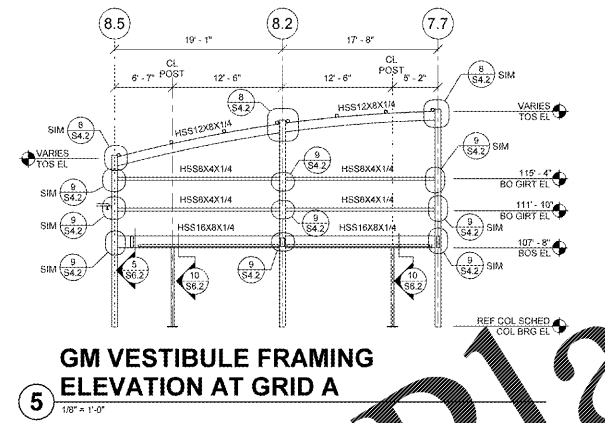
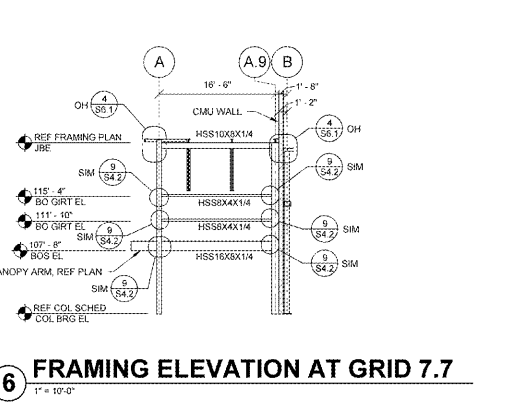
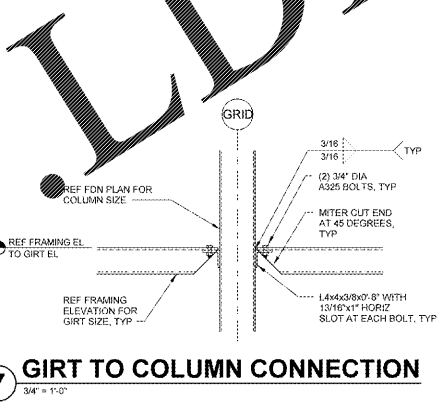
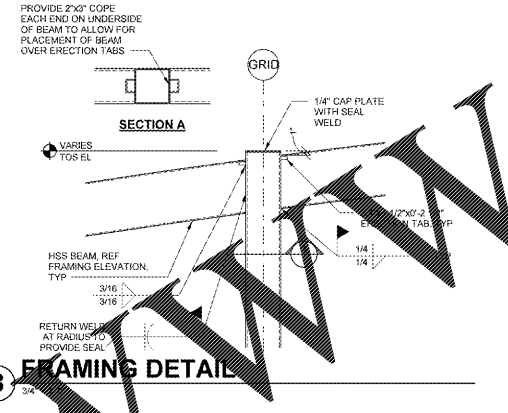
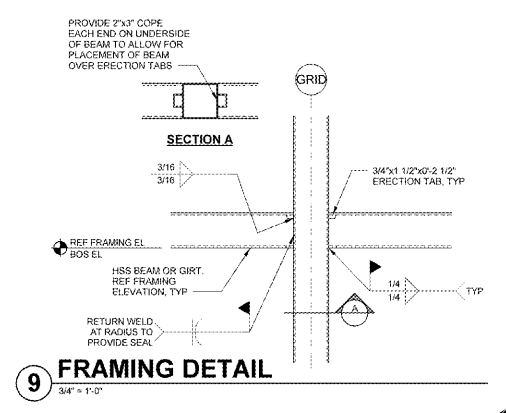
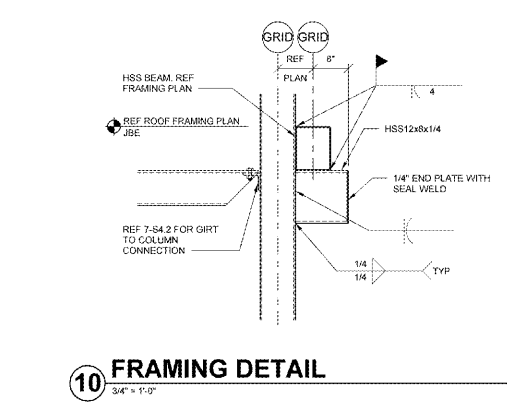
ISSUE BLOCK	
OTB	11/30/17

CHECKED BY: BCB  
 DRAWN BY: BWN  
 PROTO CYCLE: 04/28/17  
 DOCUMENT DATE: 09/13/17  
 JBA PROJECT NO: 96601904R

**BID SET NOT FOR CONSTRUCTION**

**FRAMING ELEVATIONS AND DETAILS**

SHEET: **S4.2**



Order Plans @ www.LDILine.com