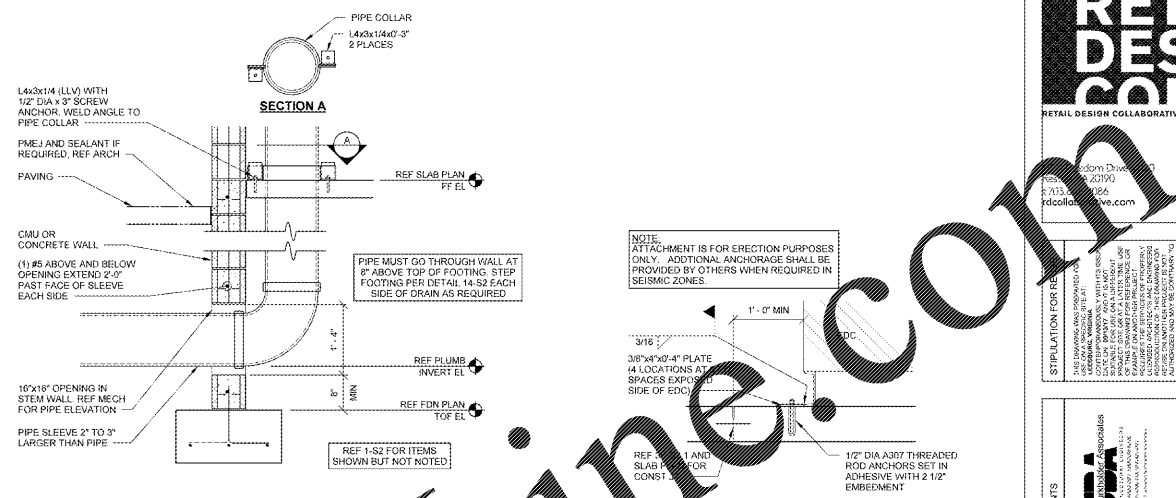


ISSUE BLOCK	
OTB	11/30/17

CHECKED BY: RCB
DRAWN BY: BWN
PROTO CYCLE: 042817
DOCUMENT DATE: 09/13/17
JBA PROJECT NO: 96601904R

BID SET
NOT FOR
CONSTRUCTION

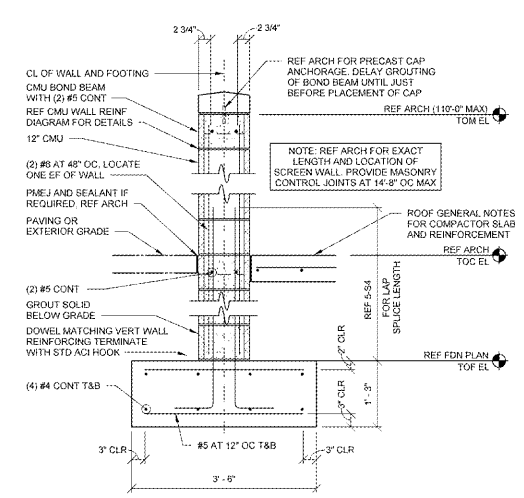
FOUNDATION
DETAILS



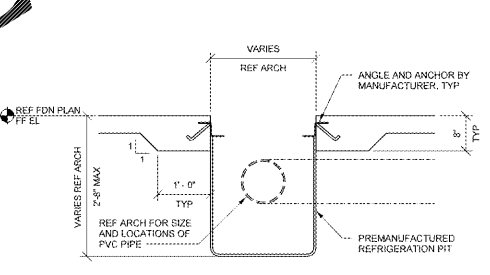
15 EDC TO SLAB ATTACHMENT
3/4" x 1'-0"



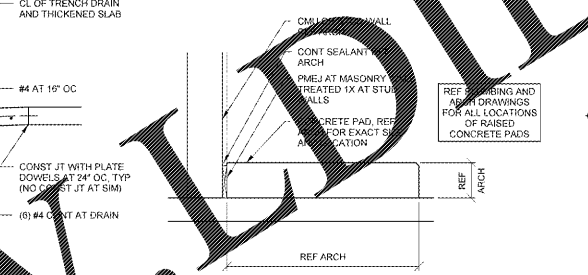
16 DRAIN PIPE AT FOUNDATION WALL
3/4" x 1'-0"



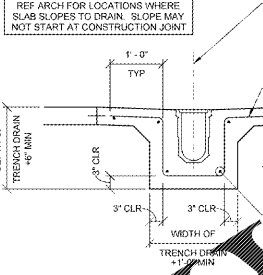
17 COMPACTOR SCREEN WALL SECTION
3/4" x 1'-0"



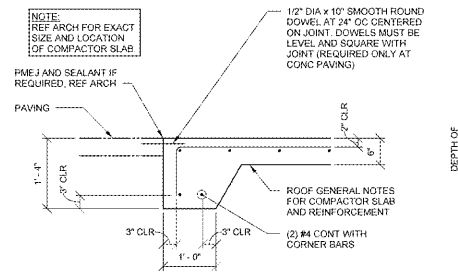
9 REFRIGERATION PIT
3/4" x 1'-0"



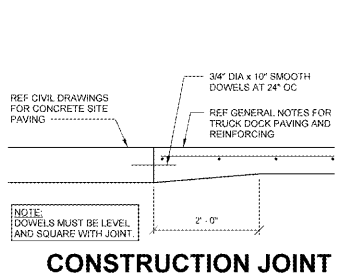
10 RAISED CONC PAD
1'-0" x 1'-0"



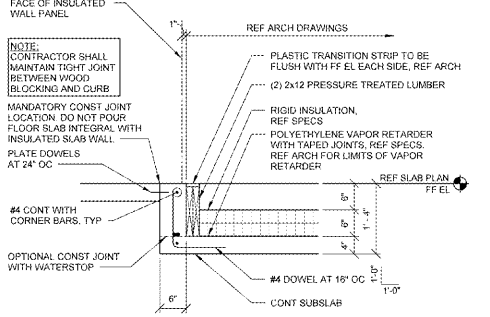
11 TRENCH DRAIN
3/4" x 1'-0"



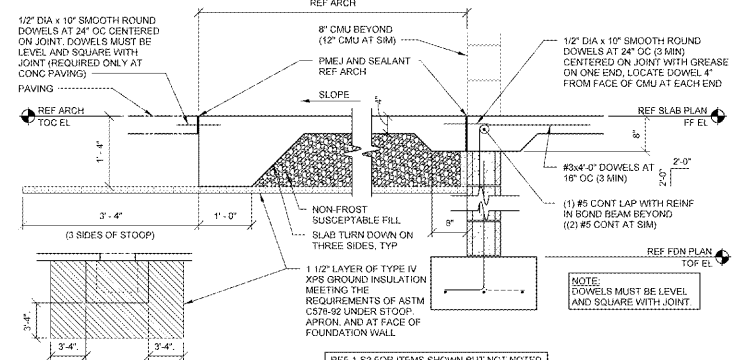
12 SLAB AT COMPACTOR
3/4" x 1'-0"



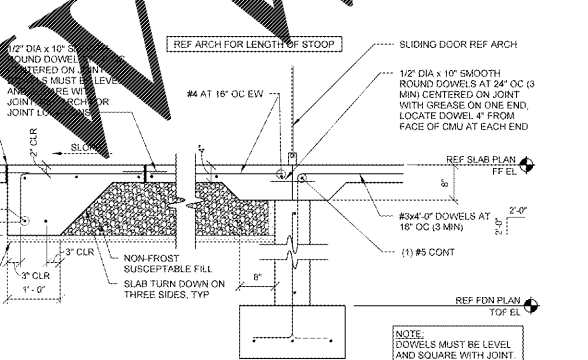
13 CONSTRUCTION JOINT AT TRUCK DOCK RAMP
3/4" x 1'-0"



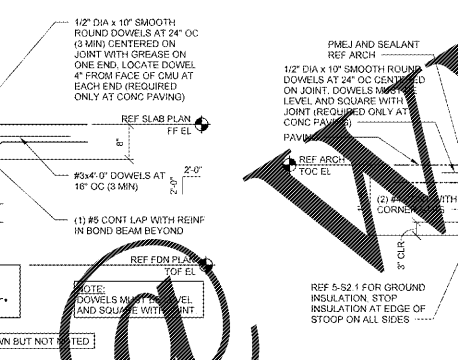
14 INSULATED CONCRETE SLAB
3/4" x 1'-0"



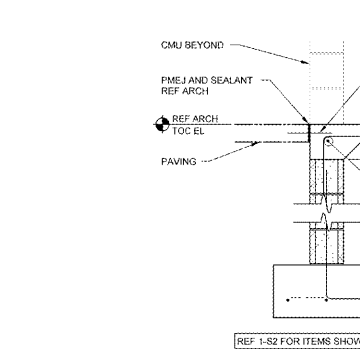
5 SLAB AT OPENING WITH STOOP
3/4" x 1'-0"



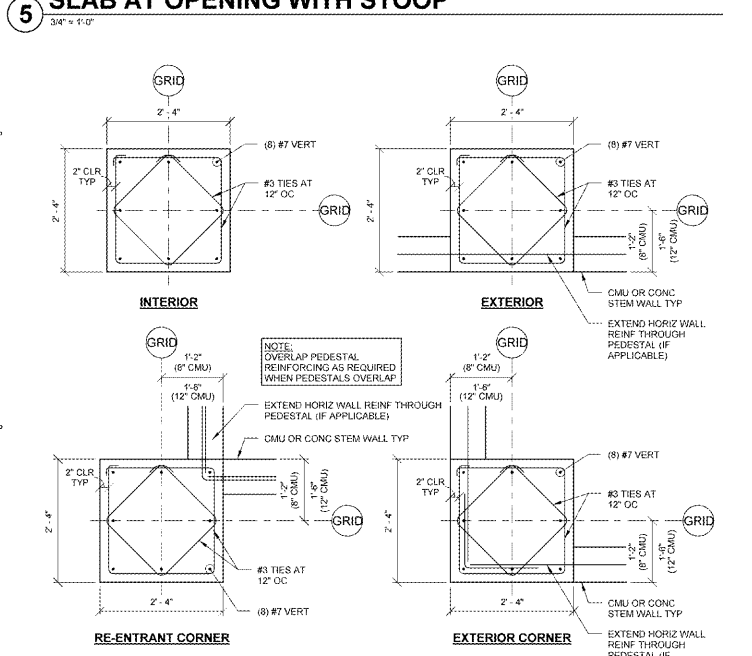
6 SLAB AT VESTIBULE STOOP
3/4" x 1'-0"



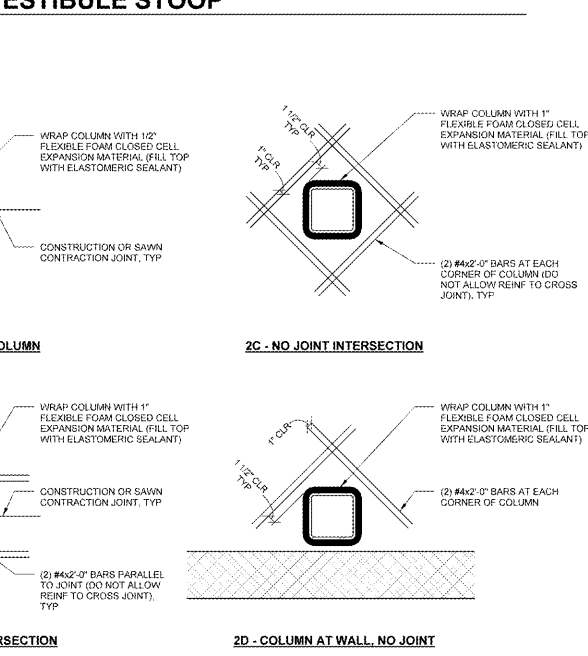
7 SLAB AT OPENING WITHOUT STOOP
3/4" x 1'-0"



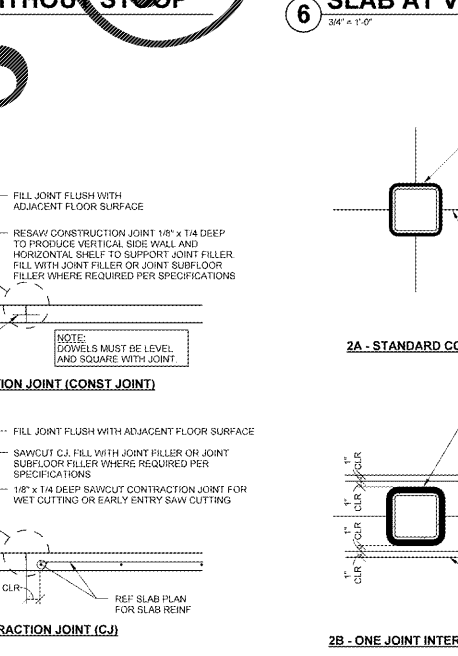
8 NOT USED
NTS



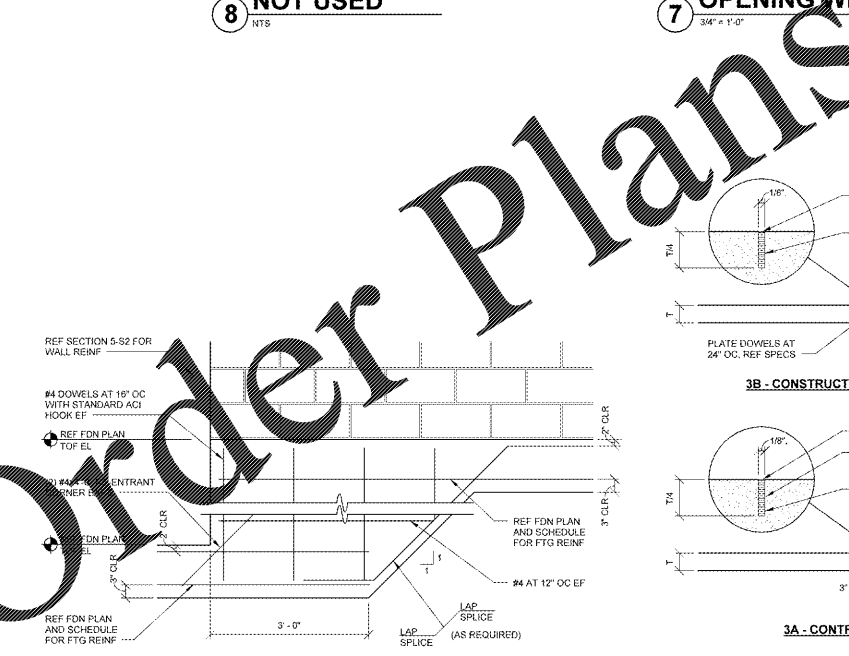
1 PEDESTAL REINFORCING
3/4" x 1'-0"



2 COLUMN ISOLATION WRAP
1'-0" x 1'-0"



3 CONCRETE SLAB JOINTS
3/4" x 1'-0"



4 EXTERIOR WALL FOOTING STEP
3/4" x 1'-0"

Order Plans

8 NOT USED
NTS