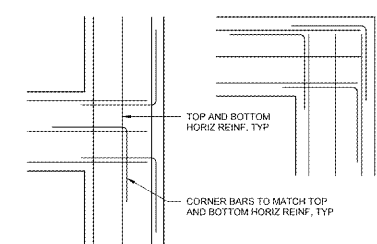


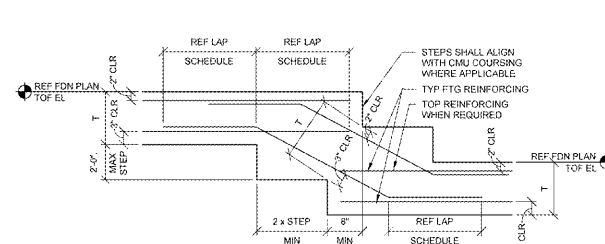
ISSUE BLOCK	
DTB	11/30/17
CHECKED BY:	BCB
DRAWN BY:	BWN
PROTO CYCLE:	04/28/17
DOCUMENT DATE:	09/13/17
JBA PROJECT NO.:	96601904R

BID SET
NOT FOR
CONSTRUCTION

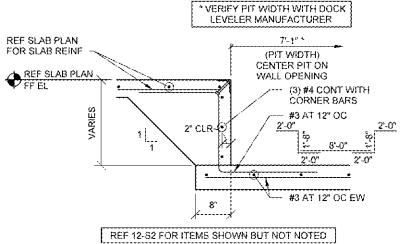
FOUNDATION
DETAILS



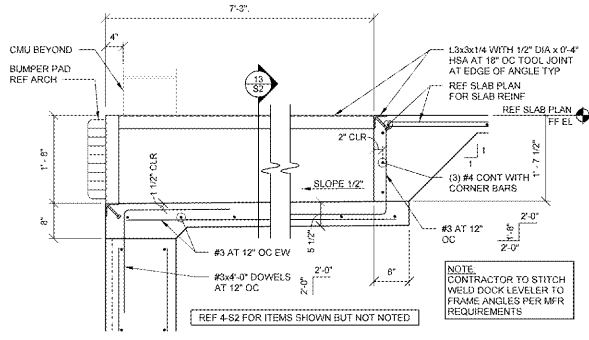
15 CORNER BAR REINF
3/4" = 1'-0"



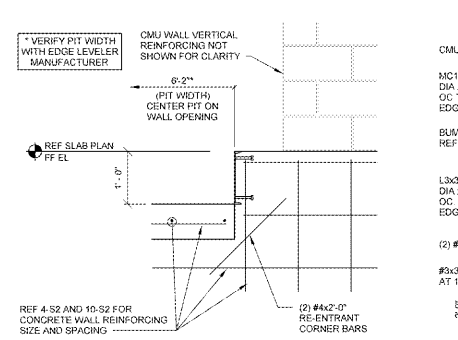
14 FOOTING STEP
3/4" = 1'-0"



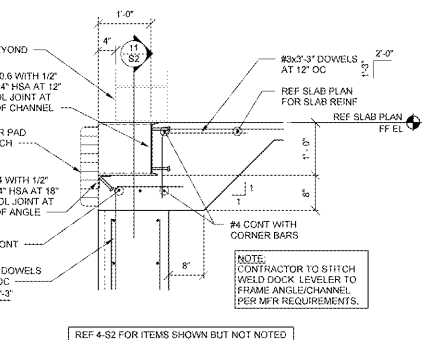
13 SIDE OF DOCK LEVELER
3/4" = 1'-0"



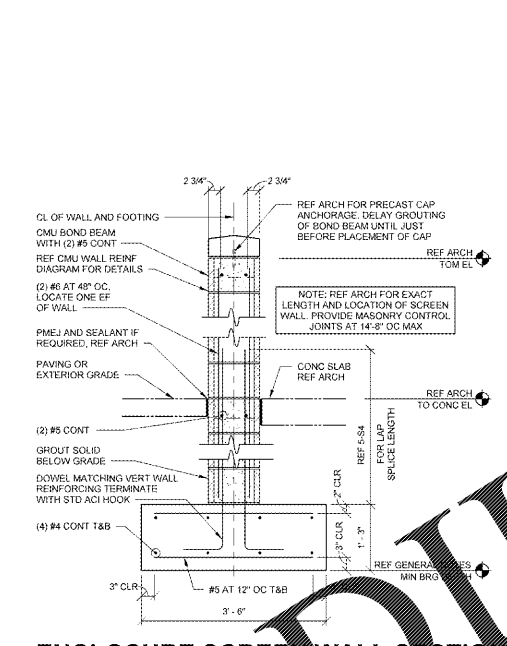
12 DOCK LEVELER PIT
3/4" = 1'-0"



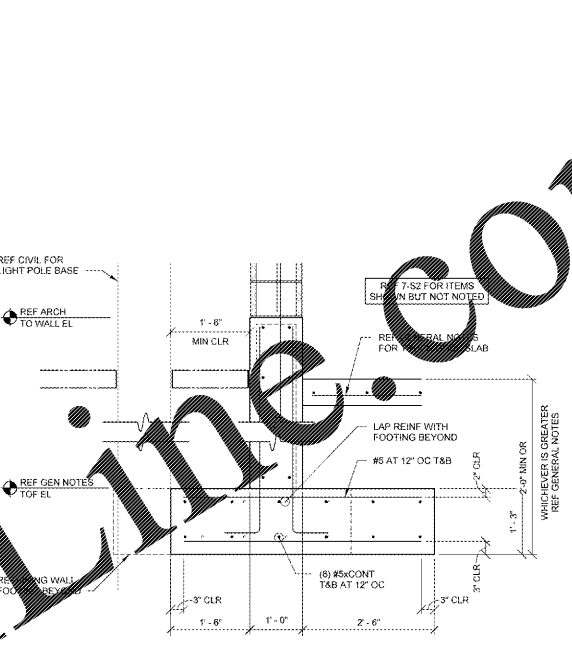
11 SIDE OF EDGE LEVELER
3/4" = 1'-0"



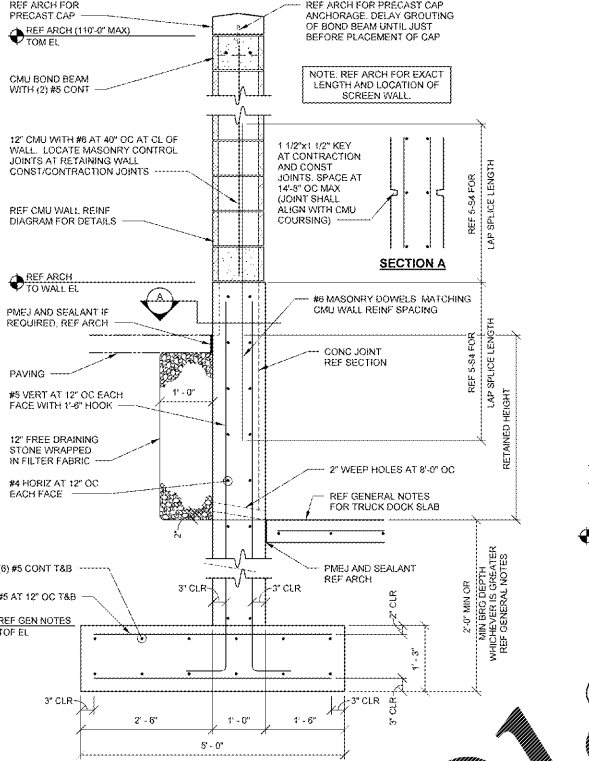
10 EDGE OF DOCK
3/4" = 1'-0"



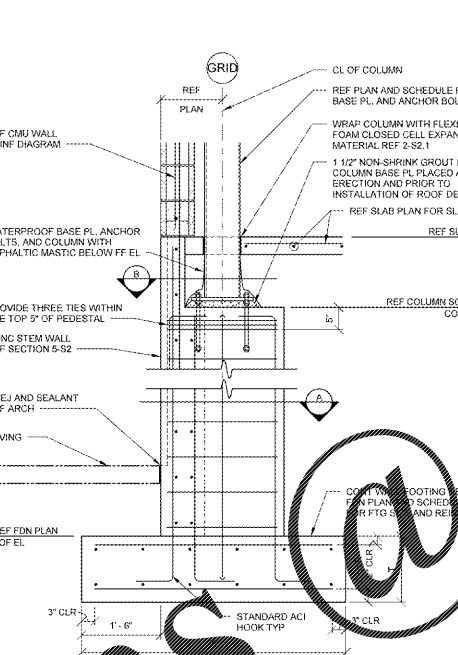
9 ENCLOSURE SCREEN WALL SECTION
3/4" = 1'-0"



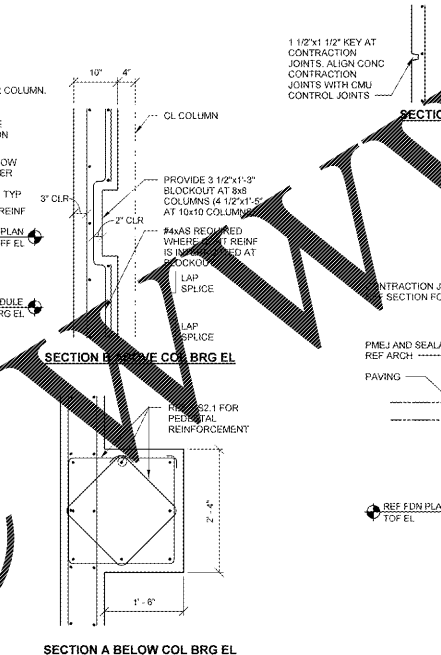
8 DOCK RETAINING WALL AT LIGHT POLE
3/4" = 1'-0"



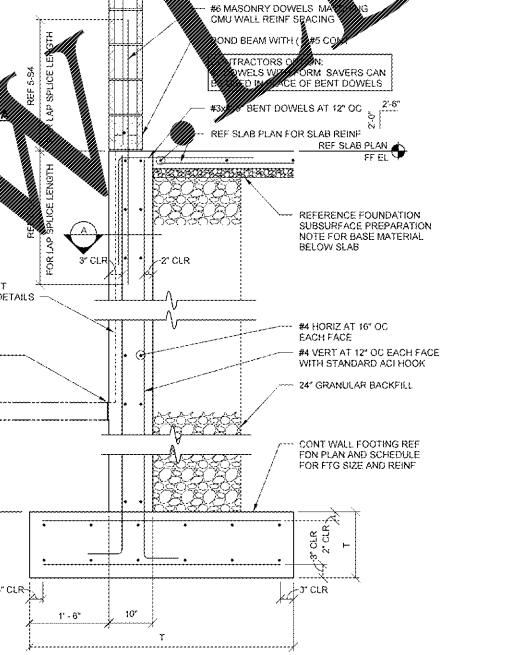
7 DOCK RETAINING WALL
3/4" = 1'-0"



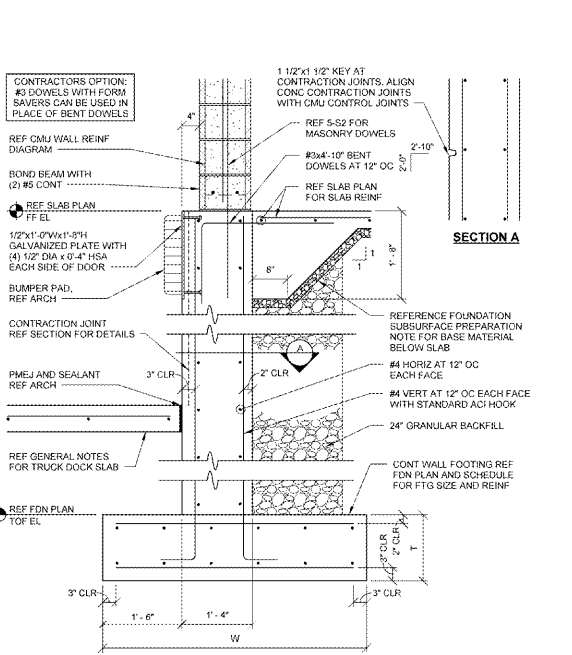
6 COLUMN PEDESTAL AT DOCK WALLS
3/4" = 1'-0"



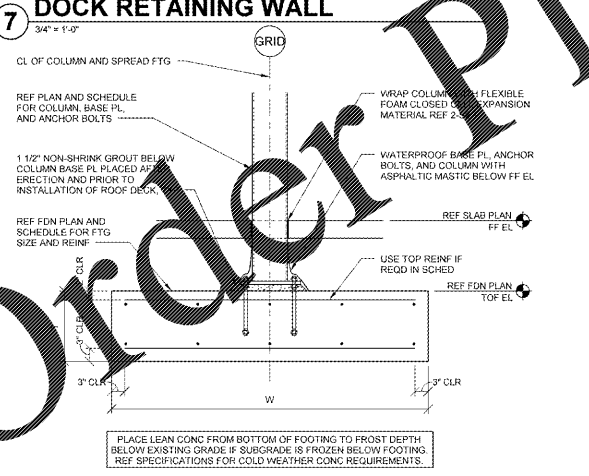
5 EXTERIOR WALL FOOTING AT TRUCK DOCK
3/4" = 1'-0"



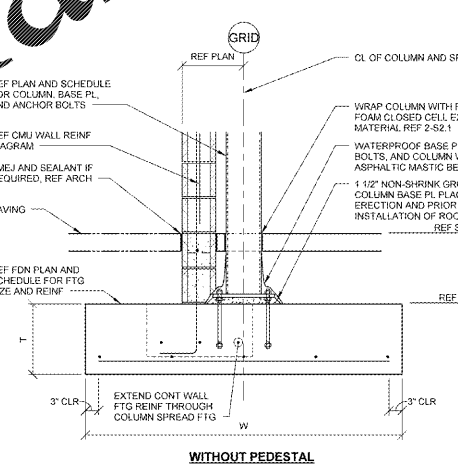
4 DOCK WALL FOOTING
3/4" = 1'-0"



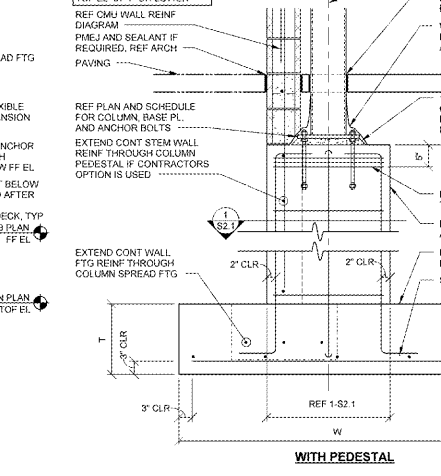
3 INTERIOR COLUMN FOOTING
3/4" = 1'-0"



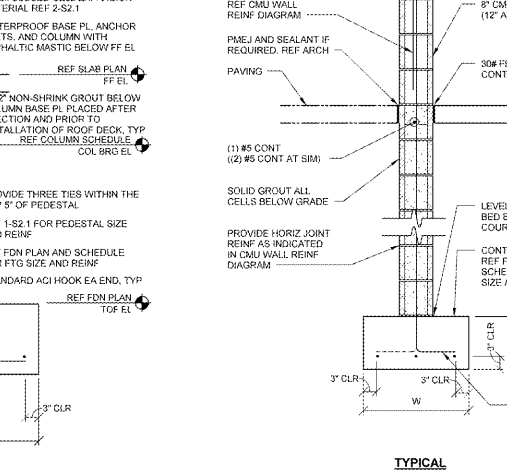
2 EXTERIOR COLUMN FOOTING
3/4" = 1'-0"



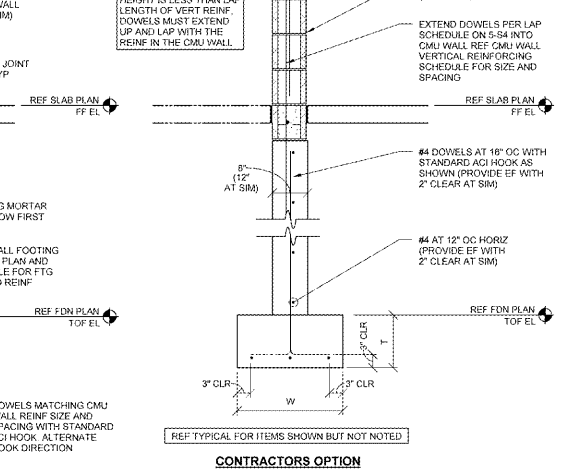
1 EXTERIOR WALL FOOTING
3/4" = 1'-0"



1 EXTERIOR WALL FOOTING
3/4" = 1'-0"



1 EXTERIOR WALL FOOTING
3/4" = 1'-0"



1 EXTERIOR WALL FOOTING
3/4" = 1'-0"

Order Plans @