

HOOD INFORMATION

HOOD NO.	MODEL	LENGTH	MAX. COOKING TEMP.	EXHAUST PLENUM					SUPPLY PLENUM					HOOD CONSTRUCTION	HOOD CONFIG.		
				TOTAL EXH. CFM	WIDTH	LENG.	DIA.	CFM	S.P.	TOTAL SUP. CFM	WIDTH	LENG.	DIA.		CFM	S.P.	END TO END
1	3624 VHB	4' 0.00"	700 Deg	400			10"	400	-0.040"	0				430 SS	100%	ALONE	ALONE

HOOD INFORMATION

HOOD NO.	TYPE	FILTER(S)		LIGHTS		WIRE GUARD	LOCATION	UTILITY CABINET(S)		ELECTRICAL	SWITCHES	FIRE SYSTEM PIPING	HOOD HANGING WGT.
		QTY.	HEIGHT	LENGTH	QTY.			TYPE	TYPE				
1						NO						NO	330 LBS

HOOD OPTIONS

HOOD NO.	OPTION
1	FIELD WRAPPER 18.00" High Front, Left, Right

ELECTRICAL PACKAGES

NO.	TAG	PACKAGE #	LOCATION	SWITCHES		OPTION	FANS CONTROLLED				
				LOCATION	QUANTITY		TYPE	H.P.	VOLT	FLA	
1		110110BA	Wall Mount In SS Box	SS Wall Mount Box	1 Light	Power for ShuntTrip Relay w/ 2-DPDT on/off w/ Sup.	Exhaust	1	0.250	115	4.0

EXHAUST FAN INFORMATION

FAN UNIT NO.	FAN UNIT MODEL #	MODEL	TAG	CFM	ESP	RPM	H.P.	VOLT	FLA	WEIGHT (LBS.)	SONES
1	DU30HFA	DU30HFA	Subway Fan	400	0.700	1262	0.250	1	115	4.0	8.4

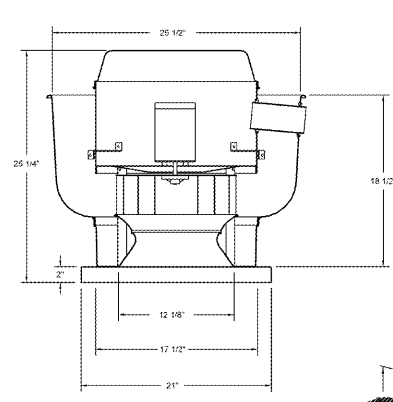
FAN OPTIONS

FAN UNIT NO.	OPTION (Qty - Descr.)
1	1 - SCR-11 Bird Screen
	1 - I-15-BDD Damper

CURB ASSEMBLIES

NO.	ON FAN	WEIGHT	ITEM	SIZE
1	#1	18 LBS	Curb	19.500"W x 19.500"L x 20.000"H Hinged

FAN #1, EX-SUB-DU30HFA - EXHAUST FAN (SUBWAY FAN)

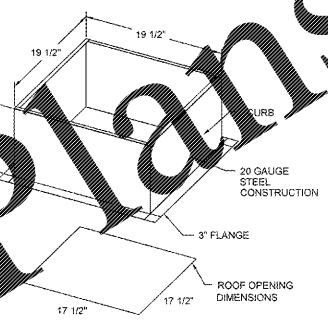


FEATURES:

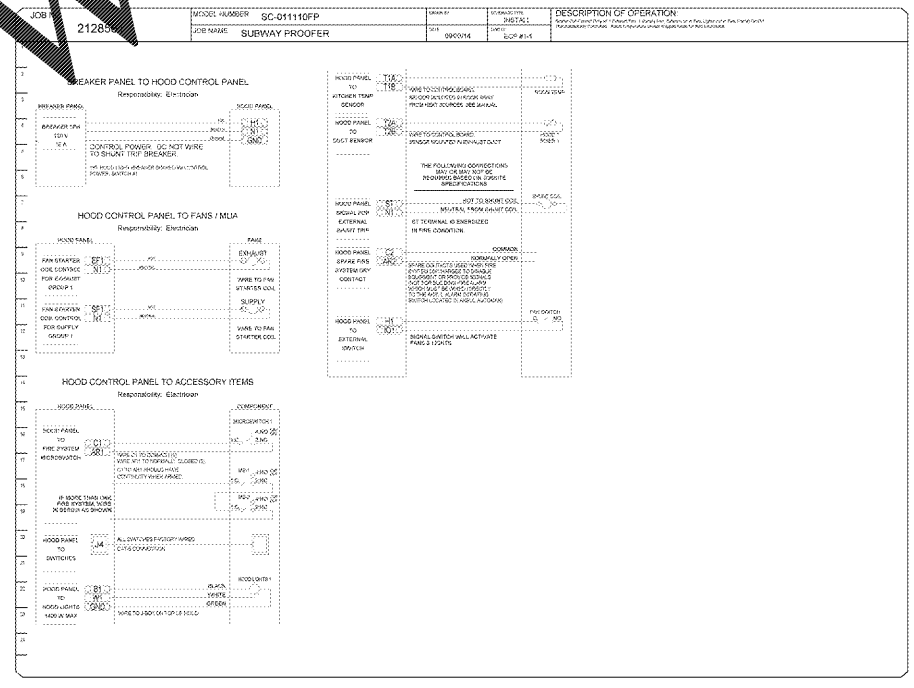
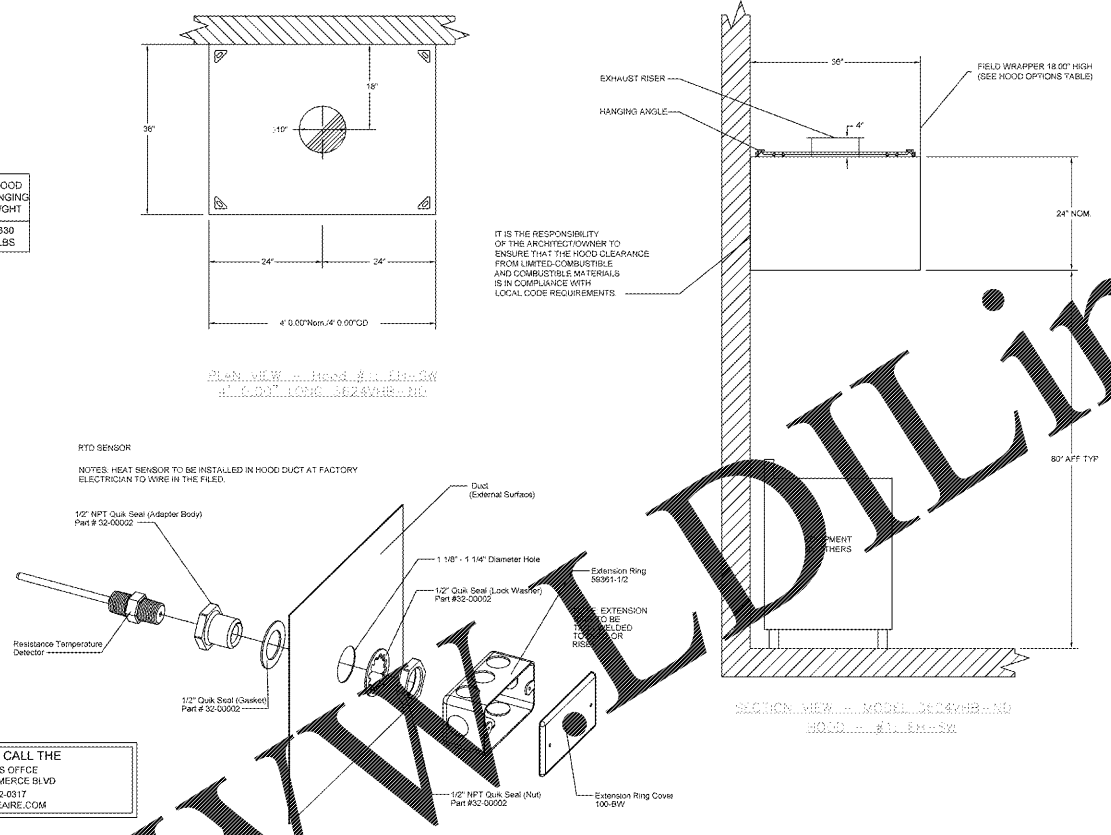
- ROOF MOUNTED FANS
- RESTAURANT MODEL
- UL TO AND LISTED
- VARIABLE SPEED CONTROL
- INTERNAL WIRING
- WEATHERPROOF DISCONNECT
- THERMAL OVERLOAD PROTECTION (SINGLE PHASE)
- HIGH MEAT OPERATION 300°F (149°C)
- GREASE CLASSIFICATION TESTING
- NORMAL TEMPERATURE TEST
- EXHAUST FAN MUST OPERATE CONTINUOUSLY WHILE EXHAUSTING AIR AT 300°F (149°C) UNTIL ALL FAN PARTS HAVE REACHED THERMAL EQUILIBRIUM AND WITHOUT ANY DETRIMENTARY EFFECTS TO THE FAN WHICH WOULD CAUSE UNSAFE OPERATION.
- ABNORMAL FLAME-UP TEST
- EXHAUST FAN MUST OPERATE CONTINUOUSLY WHILE EXHAUSTING BURNING GREASE VAPORS AT 300°F (149°C) FOR A PERIOD OF 15 MINUTES WITHOUT THE FAN BECOMING DAMAGED TO ANY EXTENT THAT COULD CAUSE AN UNSAFE CONDITION.

OPTIONS:

- SCR-11 BIRD SCREEN
- I-15-BDD DAMPER



FOR QUESTIONS, CALL THE CENTRAL FL SALES OFFICE
311 ALFAMONTE COMMERCE BLD
PHONE: 407/982-0317
E-MAIL: REG66@CAPTIVEARE.COM



REVISIONS

NO.	DATE	DESCRIPTION

Highwoods Group
3100 SMOCKTREE COURT, SUITE #1010, RALEIGH, NC 27604 PHONE: (919) 875-4420 FAX: (919) 875-6577 EMAIL: reg66@captivare.com

CAPTIVE ARE

SUBWAY OVEN

DATE: 6/21/2014
DWG.#: 2128561
DRAWN BY: SPT
SCALE: 1/16" = 1'-0"
MASTER DRAWING

SHEET NO.

STIPULATION FOR THE...
THE INFORMATION ON THIS SHEET IS SUPPLIED BY CAPTIVE-ARE, AND USERS ARE TO BE INSTALLED BY THE CONTRACTOR, REFER TO SPECIFICATIONS.

HENDERSON ENGINEERS
1800 W. WASHINGTON ST., SUITE 200
LEESBURG, VA 22077
TEL: (703) 770-0232 FAX: (703) 770-0233
WWW.HENDERSONENGINEERS.COM
VA. CORPORATE #12-040001387
EXP. #125123017

SUBWAY
LEESBURG, VIRGINIA

ISSUE BLOCK

OTB	DATE
	11/30/17

CHECKED BY:
DRAWN BY:
PROTO CYCLE:
DOCUMENT DATE: 09/13/17

BID SET NOT FOR CONSTRUCTION

SUBWAY EXHAUST HOOD

NOTE:
THE INFORMATION ON THIS SHEET IS SUPPLIED BY CAPTIVE-ARE, AND USERS ARE TO BE INSTALLED BY THE CONTRACTOR, REFER TO SPECIFICATIONS.

SHEET: **SWMP2**

Order Plans @ WWW.WALDILINE.COM