

STIPULATION FOR THE USER: THE DRAWING AND INFORMATION CONTAINED HEREIN ARE FOR REFERENCE ONLY. THE USER SHALL BE RESPONSIBLE FOR VERIFYING ALL INFORMATION AND CONDITIONS PRIOR TO CONSTRUCTION. THE DRAWING IS NOT TO BE USED FOR ANY OTHER PURPOSES WITHOUT THE WRITTEN CONSENT OF THE DESIGNER.

CONSULTANTS

Walmart
 LEESBURG, VIRGINIA
 STORE NO. 1904
 1/10/12-08 PHOTO
 190-SPKOR

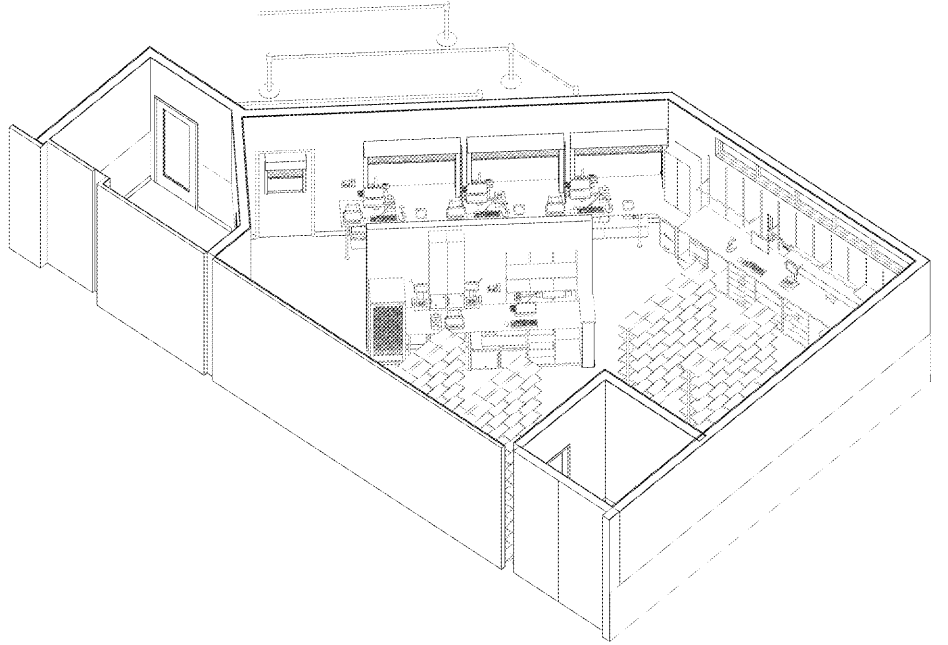
ISSUE BLOCK
 OTB 11/30/17

CHECKED BY: RW
 DRAWN BY: EH
 FILE NAME: 190-PH3
 PHOTO CYCLE: 04217
 DOCUMENT DATE: 09/13/17

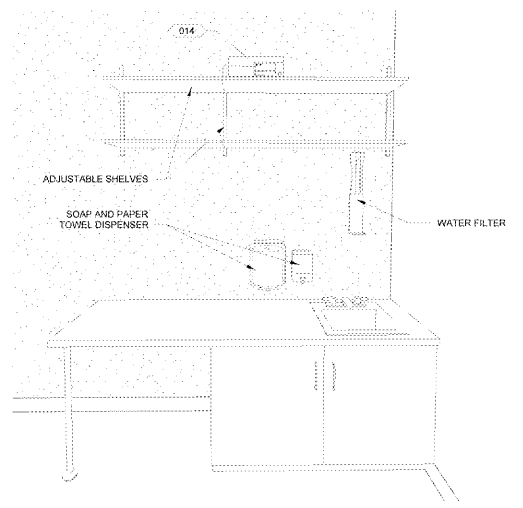
BID SET
 NOT FOR
 CONSTRUCTION

PHARMACY
 EQUIPMENT
 (FOR
 REFERENCE
 ONLY)

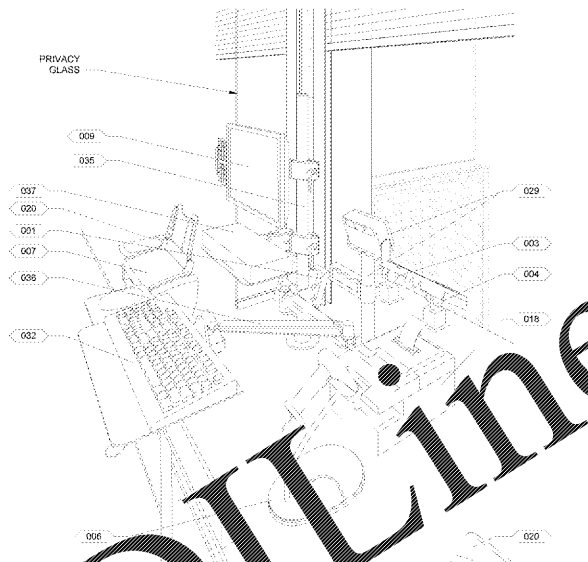
SHEET:
 PH3



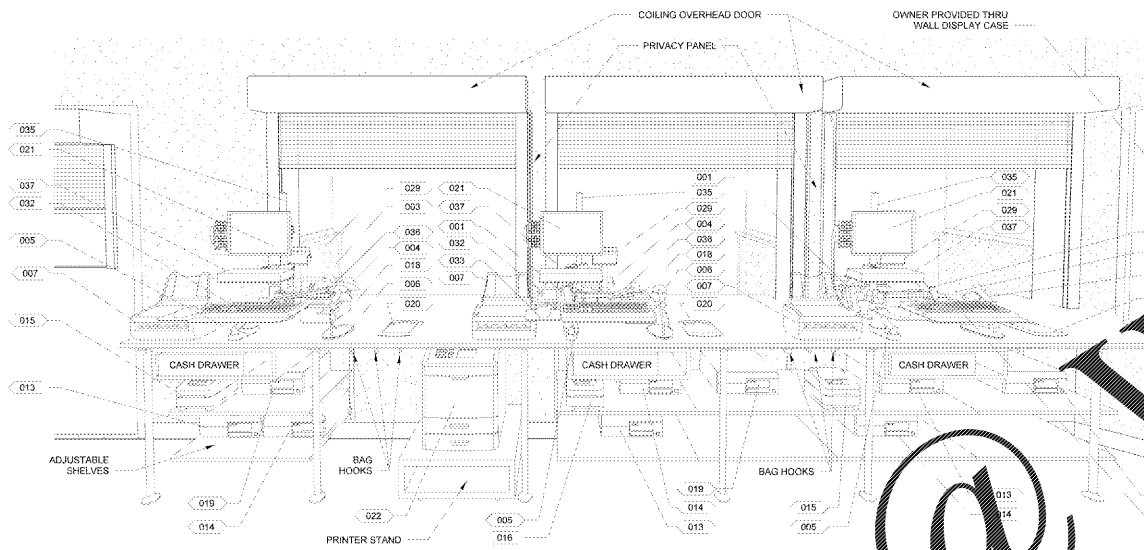
8 BIRDS EYE VIEW



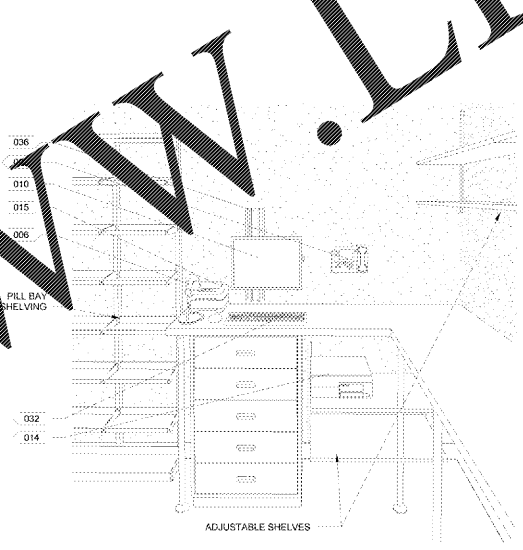
7 PERSPECTIVE VIEW - EQUIPMENT



6 PERSPECTIVE VIEW - EQUIPMENT

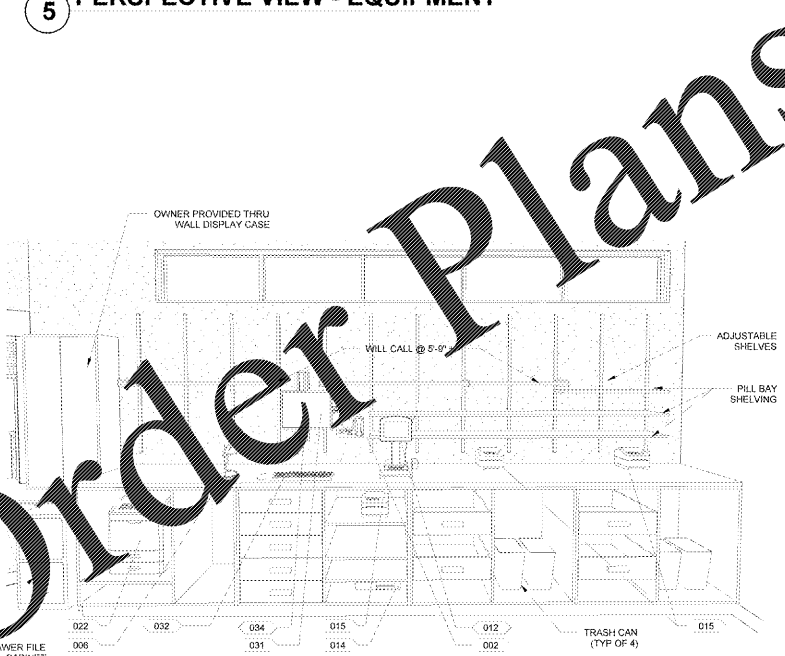


5 PERSPECTIVE VIEW - EQUIPMENT

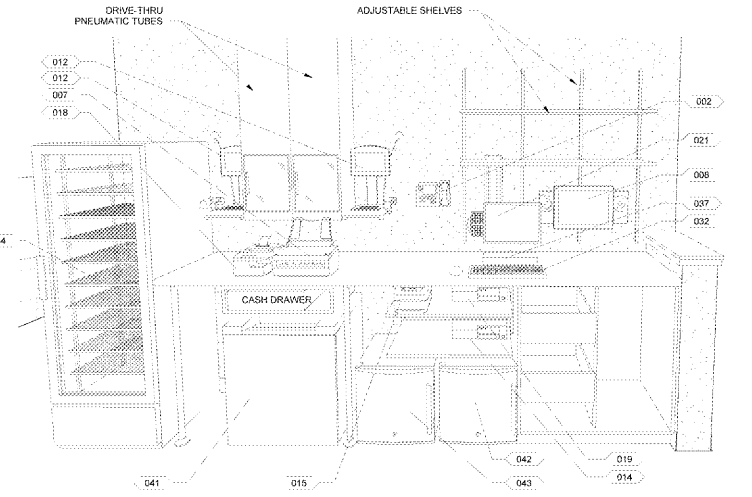


4 PERSPECTIVE VIEW - EQUIPMENT

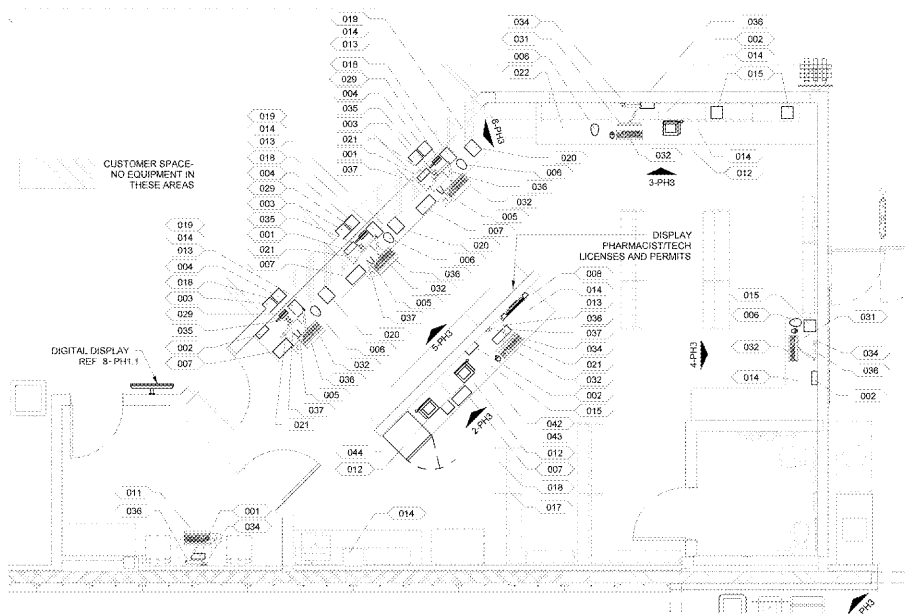
EQUIPMENT LEGEND	
001	DESK PHONE
002	WALL PHONE
003	SIGNATURE PAD
004	DEBIT READER
005	RX HAND HELD SCANNER
006	POS HAND SCANNER
007	RX IMAGE SCANNER
008	WALL MOUNTED ACRELAC MONITOR
011	KEYBOARD AND MOUSE
012	RX VIDEO HEADSET CONSOLE
013	REGISTER CPU
014	RX CPU
015	ZEBRA PRINTER
017	SHREDDER BELOW
018	REGISTER PRINTER
019	SENSORMATIC CPU
020	SENSORMATIC
021	REGISTER KEYPAD MONITOR
022	LASER PRINTER BELOW
029	CUSTOMER DISPLAY
031	RX PC MONITOR
032	KEYBOARD AND MOUSE
034	WALL MOUNTED EQUIPMENT TRACK
035	EQUIPMENT TREE (OWNER PROVIDED, GO INSTALLED)
036	EQUIPMENT ARM
037	KVM SWITCH
042	UNDERCOUNTER REFRIGERATOR
043	FREEZER BELOW
044	UPRIGHT REFRIGERATOR



3 PERSPECTIVE VIEW - EQUIPMENT



2 PERSPECTIVE VIEW - EQUIPMENT



1 EQUIPMENT PLAN (FOR REFERENCE ONLY)
 1/4" = 1'-0"

Order Plans @

WWW.LDILine.com