

SHEET NOTES

- REF SHEET A7 FOR SCHEDULE FINISH KEY
- REF SHEET A5.6 FOR FIXTURE MOUNTING HEIGHTS
- ALL EXPOSED COUNTERTOP CORNERS AND ENDS ARE TO BE EASED.

RET DES
 RETAIL DESIGN COLLABORATIVE
 10101 Westpark Drive
 Suite 200
 Dallas, TX 75241
 972.382.1234
 rdcollab@retaildesign.com

STIPULATION FOR THE DRAWING AND SPECIFICATIONS: THE DRAWING AND SPECIFICATIONS ARE TO BE USED FOR INFORMATION ONLY. THE CONTRACTOR SHALL BE RESPONSIBLE FOR VERIFYING ALL CONDITIONS, DIMENSIONS, AND MATERIALS ON SITE. THE CONTRACTOR SHALL BE RESPONSIBLE FOR OBTAINING ALL NECESSARY PERMITS AND APPROVALS. THE CONTRACTOR SHALL BE RESPONSIBLE FOR OBTAINING ALL NECESSARY MATERIALS AND LABOR. THE CONTRACTOR SHALL BE RESPONSIBLE FOR OBTAINING ALL NECESSARY APPROVALS. THE CONTRACTOR SHALL BE RESPONSIBLE FOR OBTAINING ALL NECESSARY APPROVALS.

CONSULTANTS

Walmart
 LEESBURG, VIRGINIA
 STORE NO. 1904
 1/19/2018 PHOTO

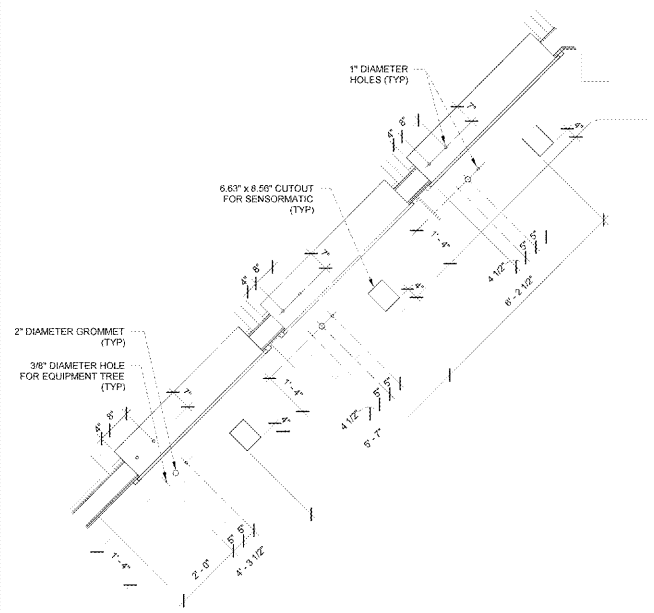
ISSUE BLOCK	OTB	11/30/17
CHECKED BY:	PHW	
DRAWN BY:	EH	
FILE NAME:	190-PH1.1	
PROTO CYCLE:	042817	
DOCUMENT DATE:	09/13/17	

CHECKED BY: PHW
 DRAWN BY: EH
 FILE NAME: 190-PH1.1
 PROTO CYCLE: 042817
 DOCUMENT DATE: 09/13/17

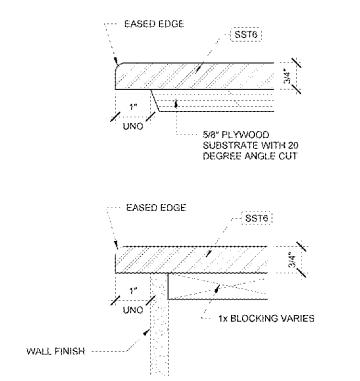
BID SET NOT FOR CONSTRUCTION

PHARMACY SECTIONS AND DETAILS

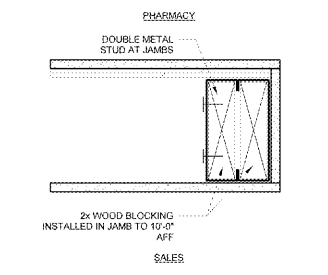
SHEET: **PH1.1**



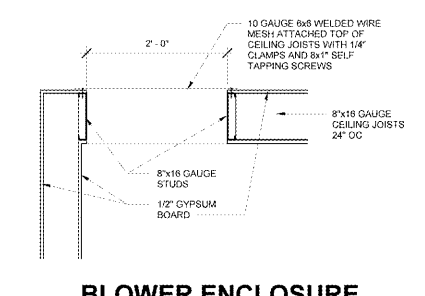
15 ENLARGED FRONT COUNTER PLAN
 1/2" = 1'-0"



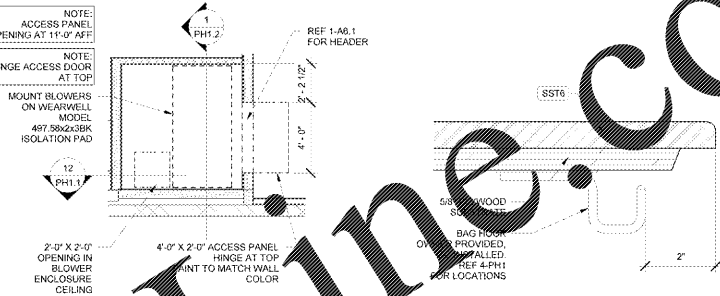
14 COUNTERTOP EDGE
 3/4" = 1'-0"



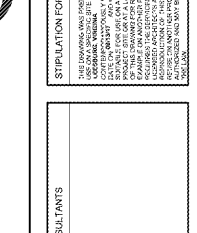
13 JAMB AT SHUTTER
 3/4" = 1'-0"



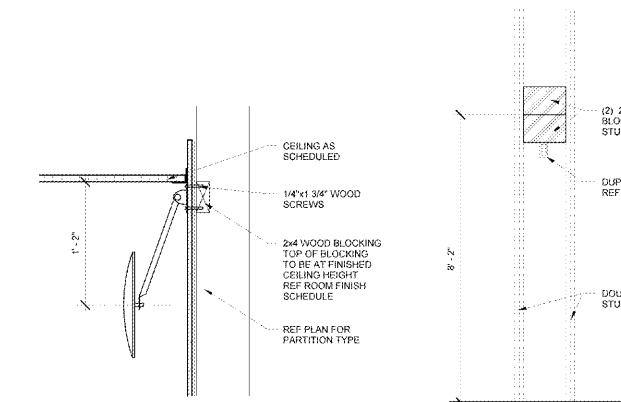
12 BLOWER ENCLOSURE SECTION
 1/2" = 1'-0"



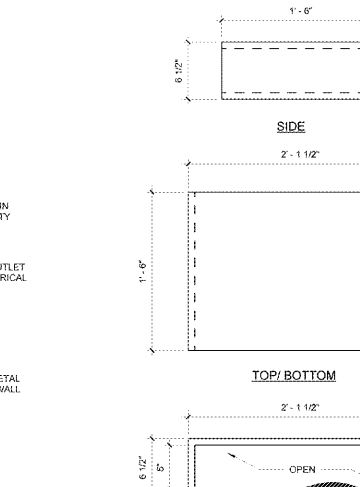
11 BLOWER ROOM
 1/2" = 1'-0"



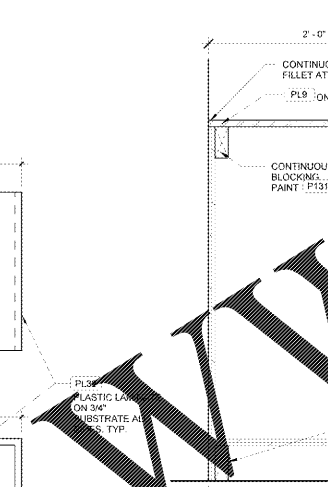
10 BAG HOOK
 3/4" = 1'-0"



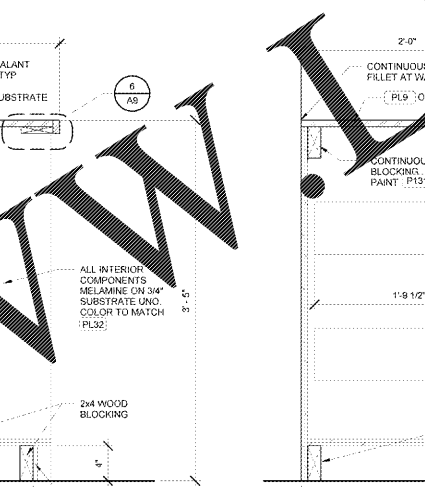
9 WALL MOUNTED MIRROR SECTION
 1 1/2" = 1'-0"



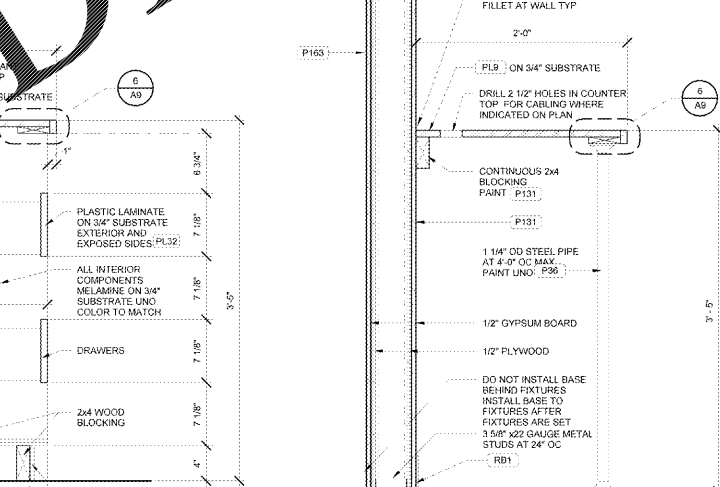
8 DIGITAL DISPLAY BRACKET BLOCKING
 1/2" = 1'-0"



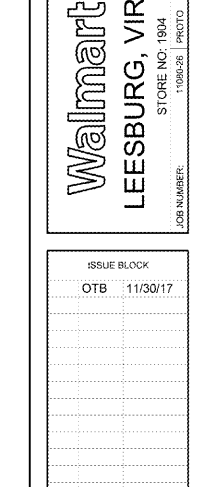
7 CASH SHELF
 1 1/2" = 1'-0"



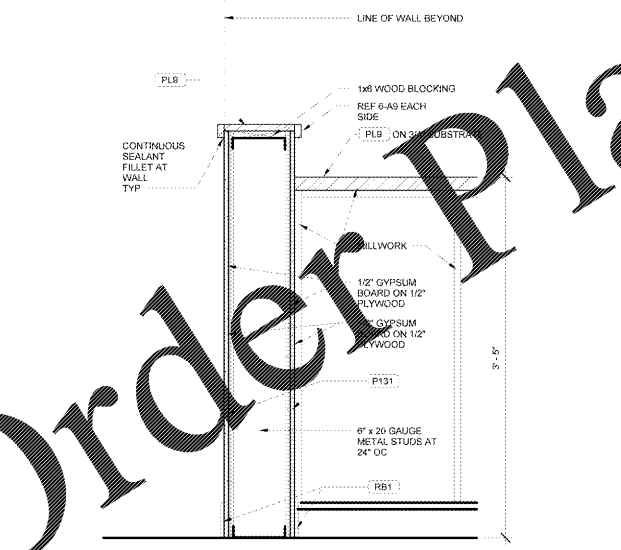
6 SECTION
 1 1/2" = 1'-0"



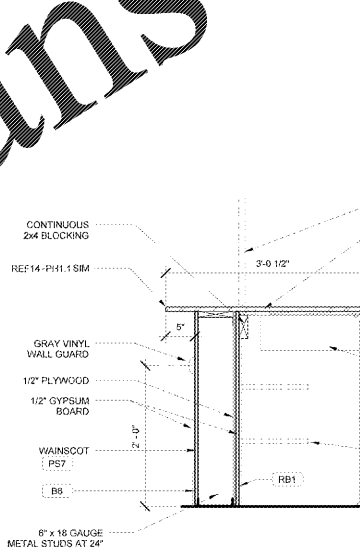
5 SECTION
 1 1/2" = 1'-0"



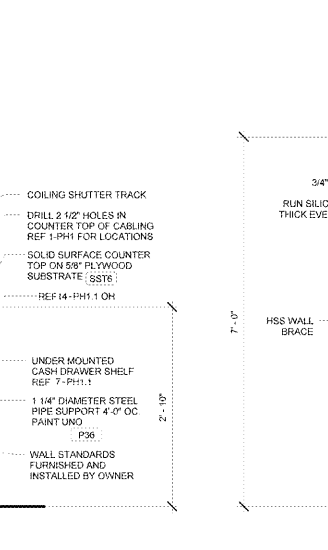
4 SECTION AT KNEEWALL
 1 1/2" = 1'-0"



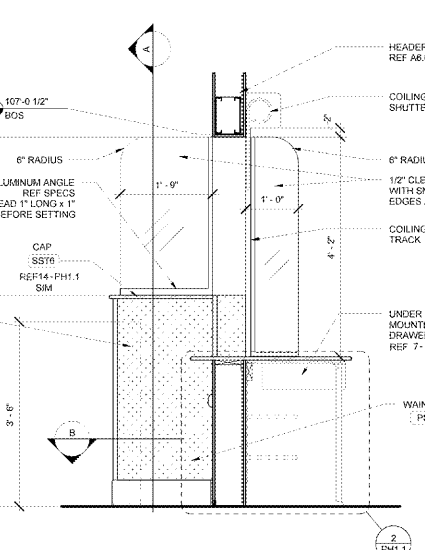
3 SECTION AT KNEEWALL
 1 1/2" = 1'-0"



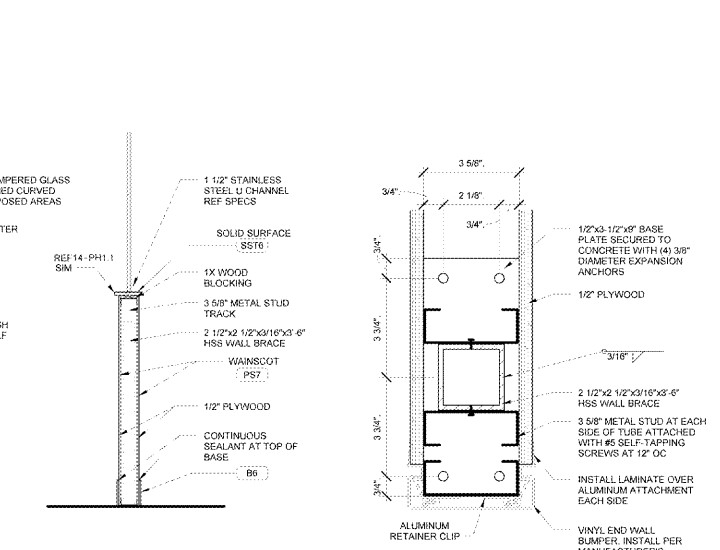
2 SECTION
 1" = 1'-0"



1 PRIVACY WALL
 3/4" = 1'-0"



SECTION A
 3/4" = 1'-0"



SECTION B
 3/4" = 1'-0"

Order Plans @