

SHEET NOTES

- REF SHEET AT FOR SCHEDULE FINISH KEY
- GUTTERS, DOWNSPOUTS, DOOR HOODS, HOLLOW METAL STEEL DOORS, FRAMES, EXPOSED METAL FLASHING, AND EXPOSED MISCELLANEOUS STEEL SHALL MATCH ADJACENT BUILDING COLOR UNLESS OTHERWISE NOTED. IF THERE ARE TWO ADJACENT COLORS AT DOORS USE THE BOTTOM COLOR FOR THE ENTIRE DOOR.

KEYNOTE LEGEND

- 1.01 SIGNAGE
- 2.04 ORNAMENTAL METAL FENCING
- 3.20 4" PRECAST CONCRETE CAP
- 4.26 8" X 8" X 16" W SPLIT FACE CMU INTEGRALLY COLORED.
- 4.27 8" X 8" X 16" W SMOOTH FACE CMU INTEGRALLY COLORED.
- 7.04 METAL FASCIA COVER
- 7.10 EXTERIOR INSULATION AND FINISH SYSTEM
- 7.20 METAL PARAPET COPING
- 8.02 HOLLOW METAL DOOR AND FRAME
- 10.04 EXTERIOR WALL
- M1 INTEGRALLY COLORED "DIM GRAY" SUPPLEMENTARY
- M2 INTEGRALLY COLORED "SUMMIT GRAY" BY
- P15 "SUMMIT GRAY" BY
- P13 "DORIAN GRAY" BY
- P11 BONE WHITE

RET DES
 RETAIL DESIGN COLLABORATIVE
 10101
 713.333.3333
 rdcollab.com

STIPULATION FOR THE CONSULTANT'S USE ONLY: THIS DOCUMENT IS THE PROPERTY OF RETAIL DESIGN COLLABORATIVE AND IS NOT TO BE REPRODUCED, COPIED, OR TRANSMITTED IN ANY FORM OR BY ANY MEANS, ELECTRONIC OR MECHANICAL, WITHOUT THE WRITTEN PERMISSION OF RETAIL DESIGN COLLABORATIVE. ANY UNAUTHORIZED USE OF THIS DOCUMENT IS PROHIBITED.

Walmart
 LEESBURG, VIRGINIA
 STORE NO. 1904-05
 11/06/28 | PHOTO: C-190-SS-CL
 JOB NUMBER: 1904-05

ISSUE BLOCK

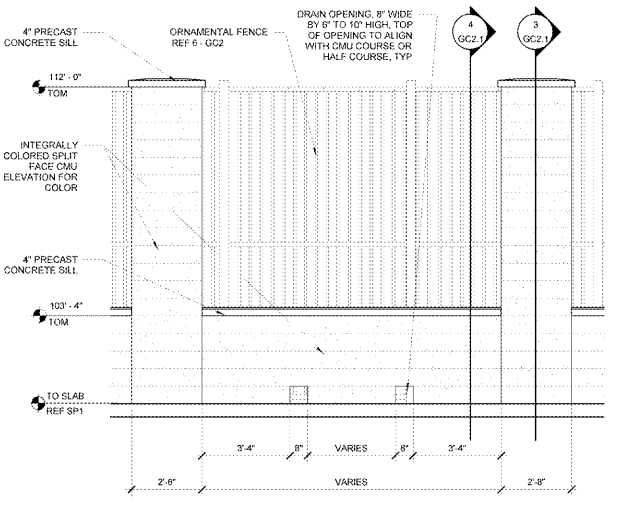
OTB	11/30/17

CHECKED BY: RW
 DRAWN BY: EH
 PHOTO CYCLE: 04/28/17
 DOCUMENT DATE: 09/13/17

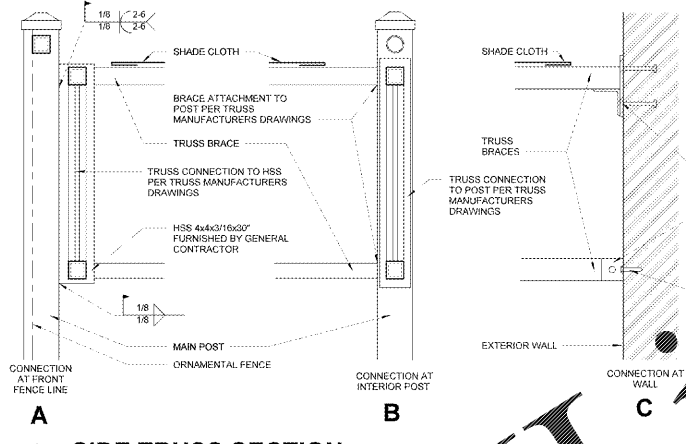
BID SET NOT FOR CONSTRUCTION

GARDEN CENTER FENCE ELEVATIONS AND DETAILS

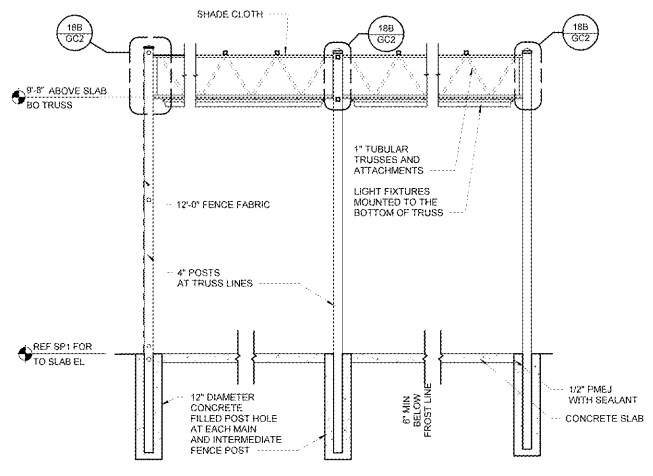
SHEET: GC2



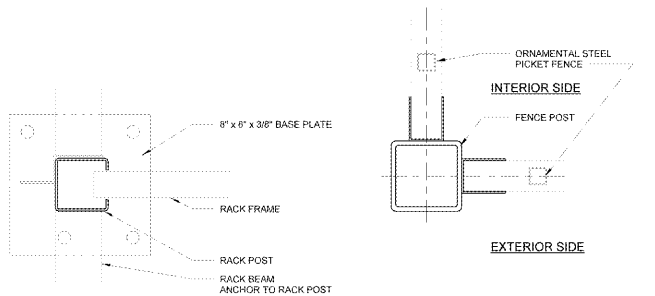
19 FENCE ELEVATION
 3/8" = 1'-0"



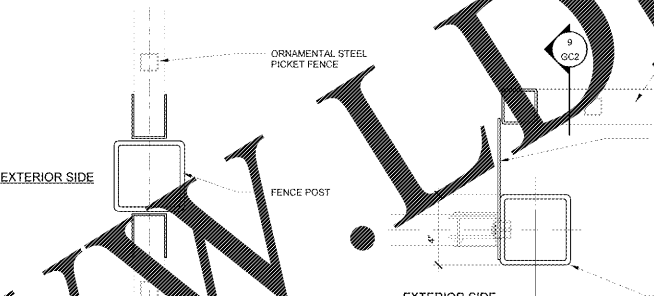
18 SIDE TRUSS SECTION
 1/12" = 1'-0"



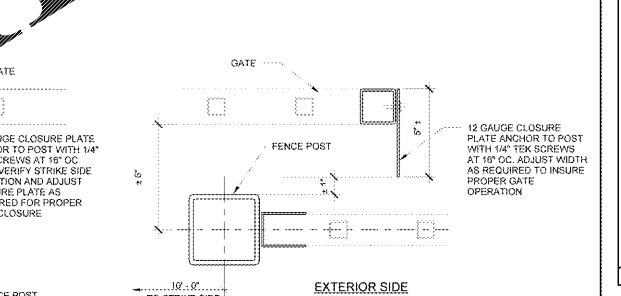
17 SHADE CLOTH SECTION
 3/8" = 1'-0"



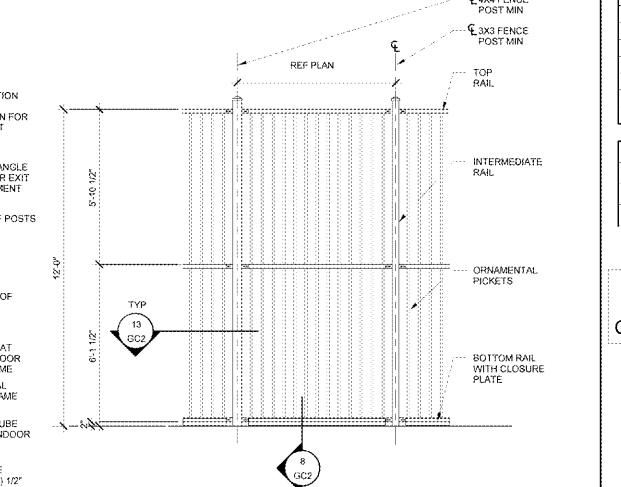
15 PLAN SECTION ORNAMENTAL FENCE CORNER POST
 3" = 1'-0"



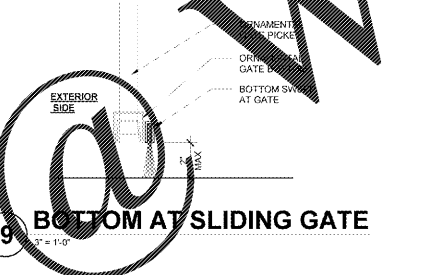
14 PLAN SECTION TYPICAL COLUMN
 3" = 1'-0"



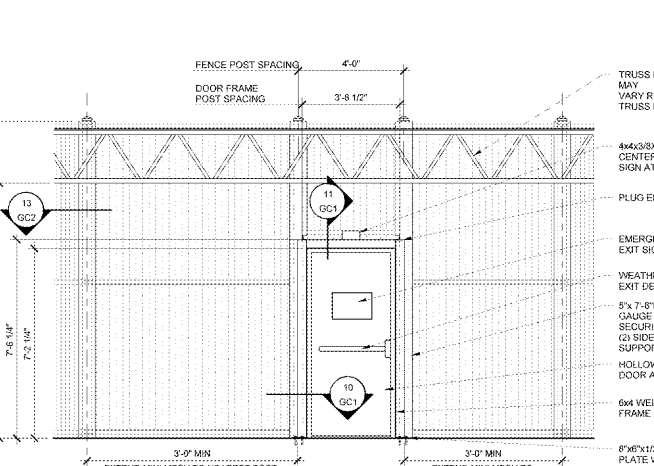
12 STRIKE SIDE JAMB AT SLIDING GATE
 3" = 1'-0"



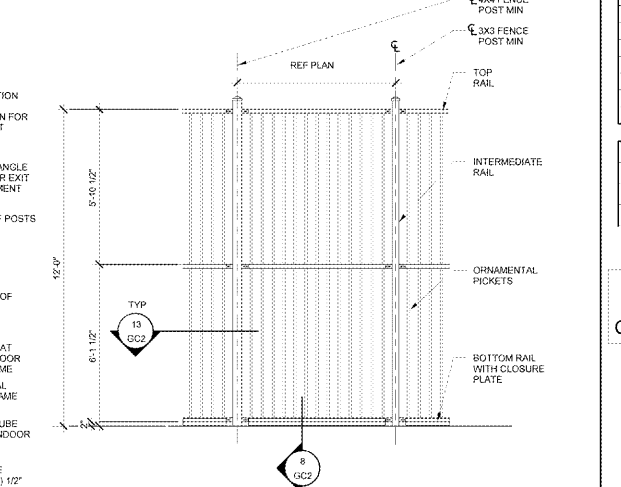
11 HINGE SIDE AT SLIDING GATE
 3" = 1'-0"



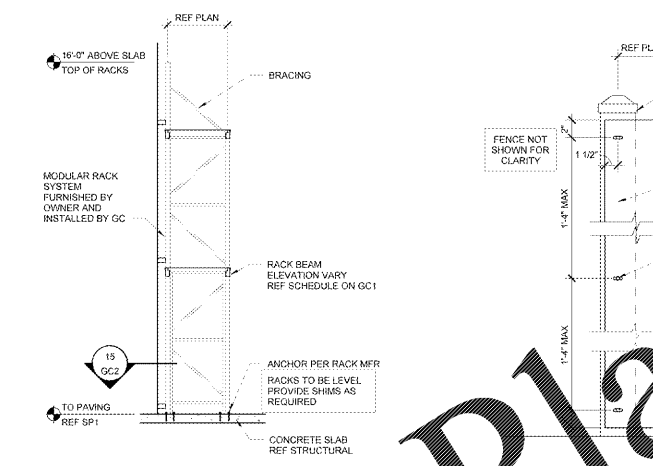
9 BOTTOM AT SLIDING GATE
 3" = 1'-0"



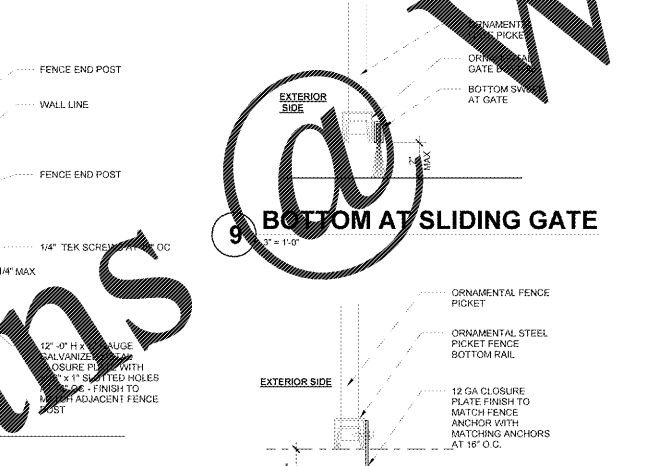
7 DOOR SURROUND
 3/8" = 1'-0"



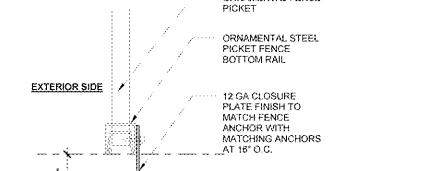
6 FENCE PANEL
 3/8" = 1'-0"



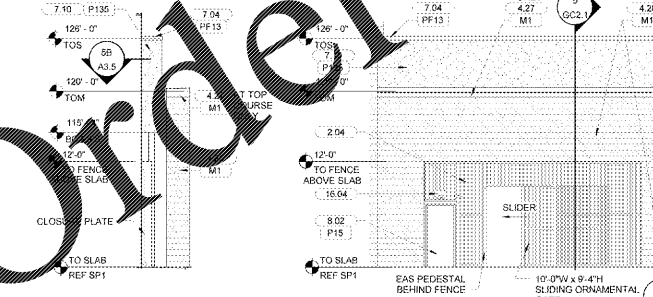
16 SECTION - TYPICAL RACK/FENCE PANEL
 1/4" = 1'-0"



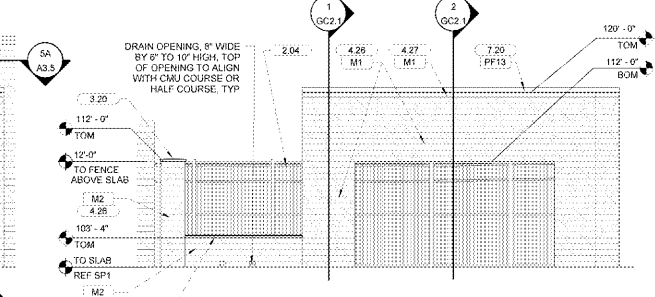
10 CLOSURE PLATE
 1/12" = 1'-0"



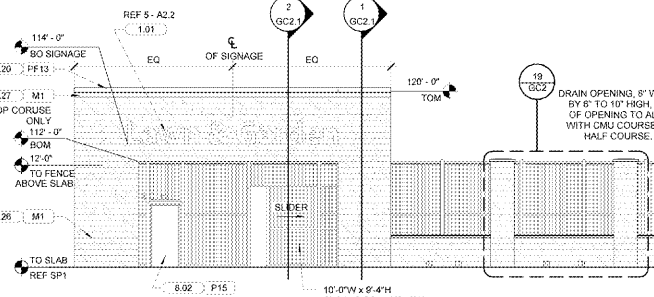
8 FENCE BOTTOM
 3" = 1'-0"



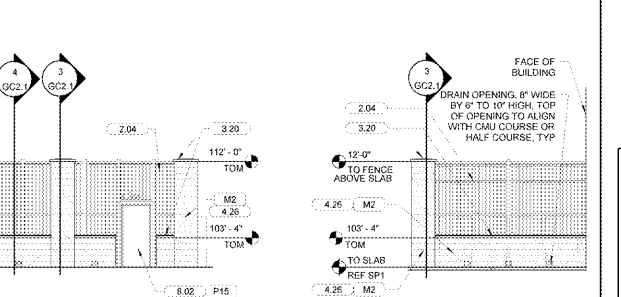
5 FENCE ELEVATION
 1/8" = 1'-0"



4 FENCE ELEVATION
 1/8" = 1'-0"



2 FENCE ELEVATION
 1/8" = 1'-0"



1 FENCE ELEVATION
 1/8" = 1'-0"

Order Plans