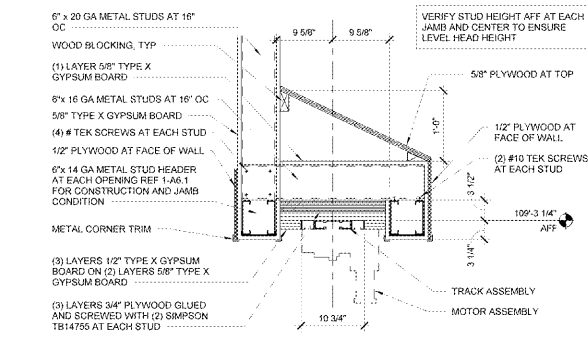
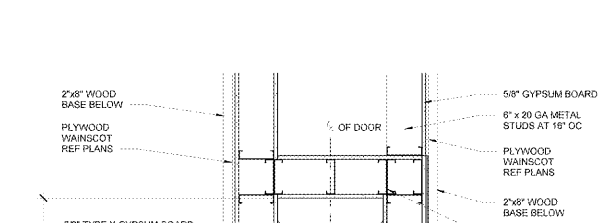


17 HEAD/JAMB
1 1/2" x 1'-0"

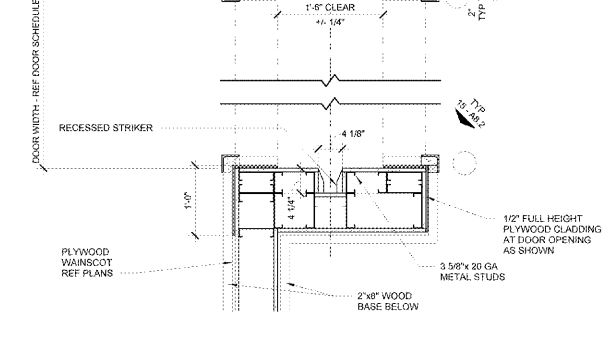


14 HEAD
1" x 1'-0"

12 NOT USED

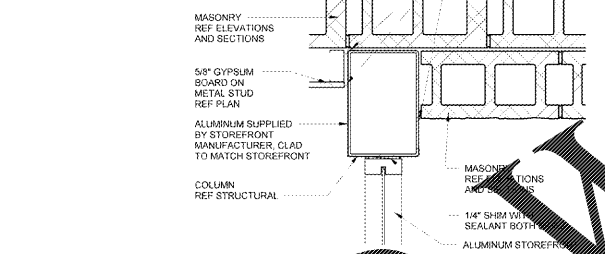


16 SILL
1 1/2" x 1'-0"

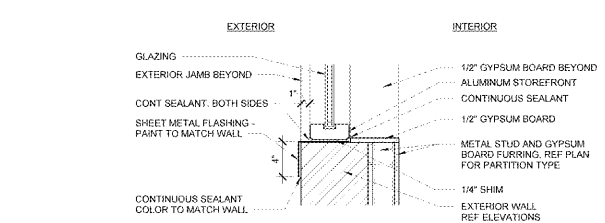


13 JAMB
1" x 1'-0"

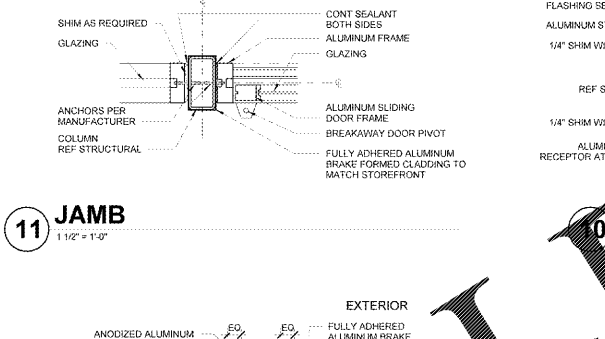
11 JAMB
1 1/2" x 1'-0"



8 JAMB
1 1/2" x 1'-0"

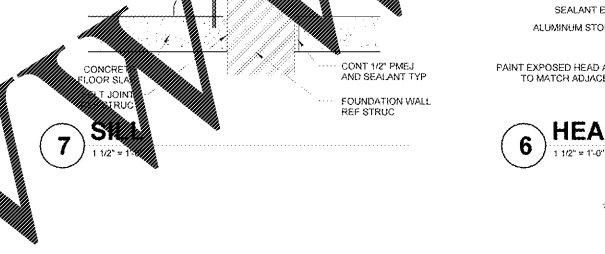


10 HEAD/SILL
1 1/2" x 1'-0"

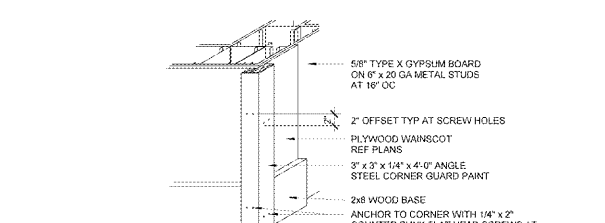


7 SILL
1 1/2" x 1'-0"

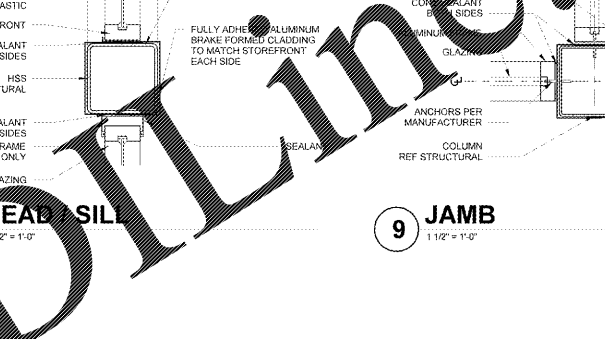
6 HEAD / JAMB
1 1/2" x 1'-0"



4 SILL
1 1/2" x 1'-0"

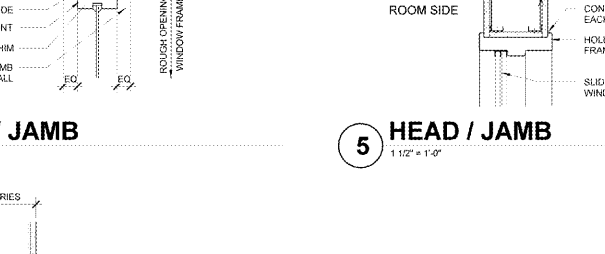


15 CORNER DETAIL
1" x 1'-0"



10 HEAD/SILL
1 1/2" x 1'-0"

9 JAMB
1 1/2" x 1'-0"



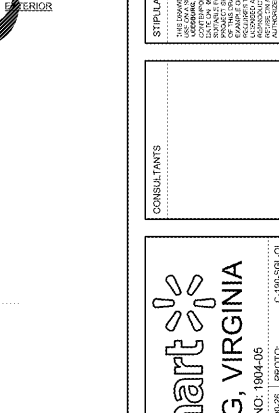
6 HEAD / JAMB
1 1/2" x 1'-0"

3 HEAD
1 1/2" x 1'-0"

2 SILL / JAMB
1 1/2" x 1'-0"

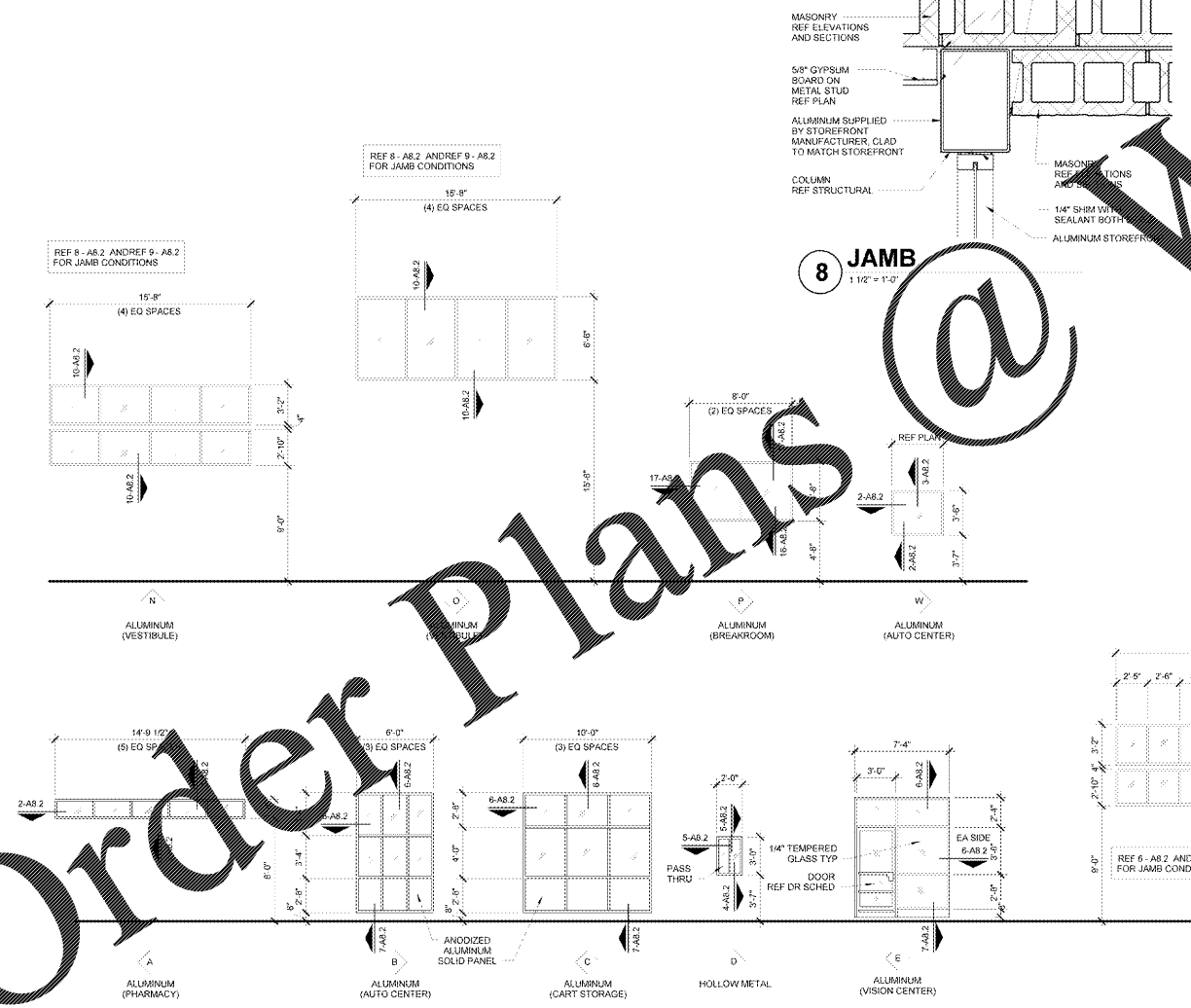


5 HEAD / JAMB
1 1/2" x 1'-0"



4 SILL
1 1/2" x 1'-0"

2 SILL / JAMB
1 1/2" x 1'-0"



1 WINDOW TYPES
3/16" x 1'-0"

STIPULATION FOR THE...
THIS DRAWING AND SPECIFICATIONS...
WARRANTY...
WALMART STORE NO. 1904-05
LEESBURG, VIRGINIA

Walmart
LEESBURG, VIRGINIA
STORE NO. 1904-05
11/16/2019
C-190-591-CL

ISSUE BLOCK	
OTB	11/30/17

CHECKED BY: RW
DRAWN BY: EH
PROTO CYCLE: 04/28/17
DOCUMENT DATE: 08/13/17

BID SET
NOT FOR
CONSTRUCTION

WINDOW
AND DOOR
DETAILS

SHEET
A8.2