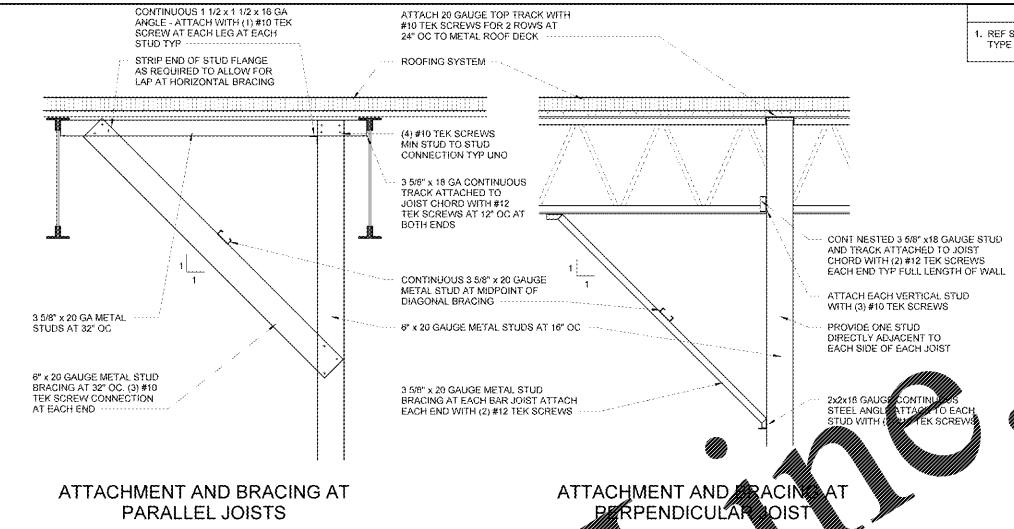
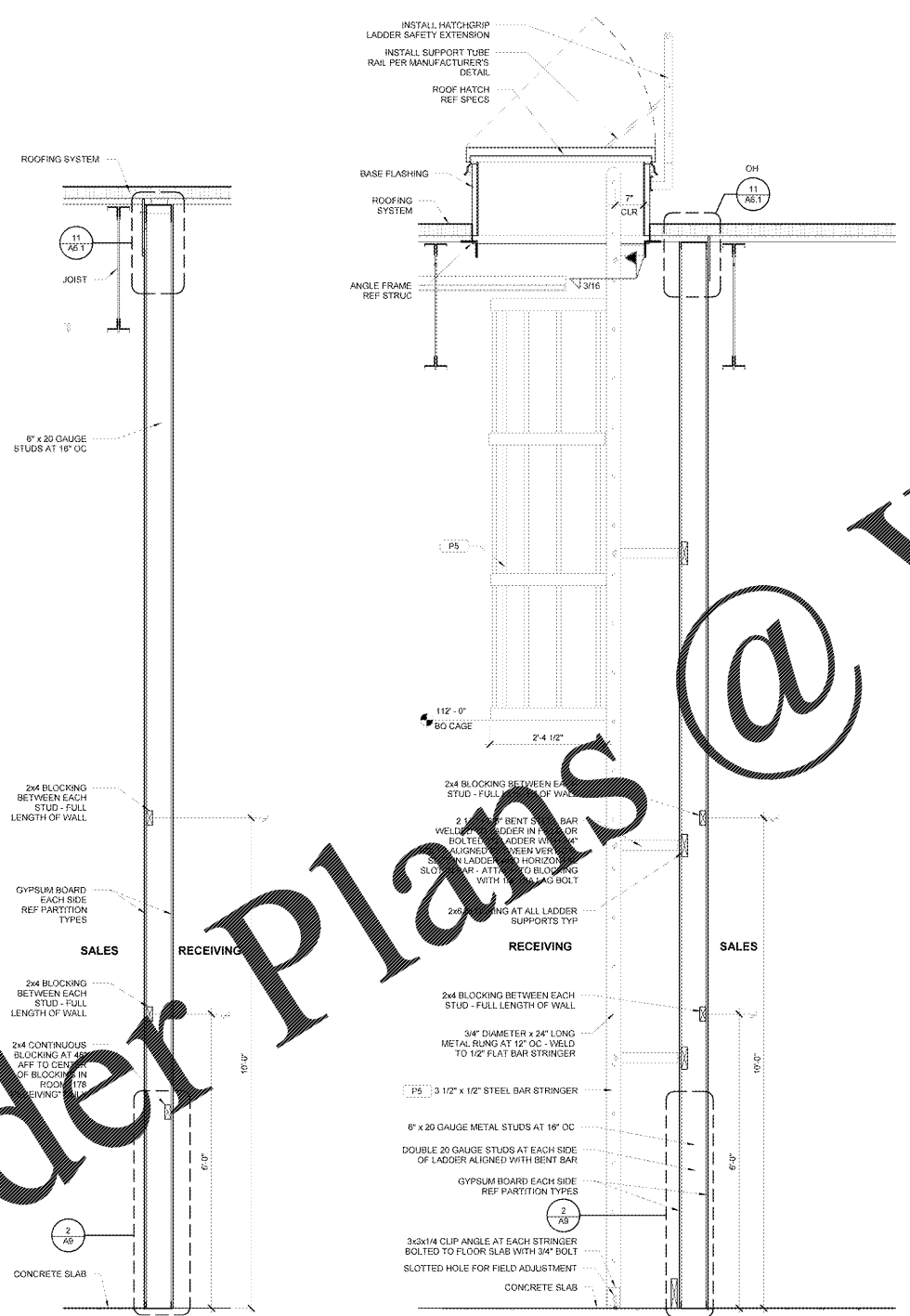


SHEET NOTES
 1. REF STRUC FOR ORIENTATION AND MEMBER TYPE

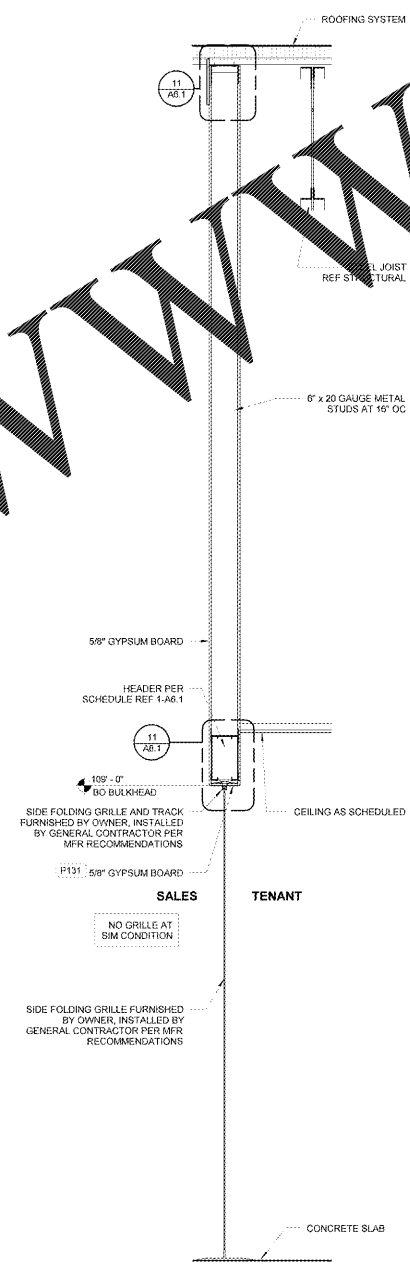


6 TYPICAL BULKHEAD ATTACHMENT
 3/4" x 1'-0"

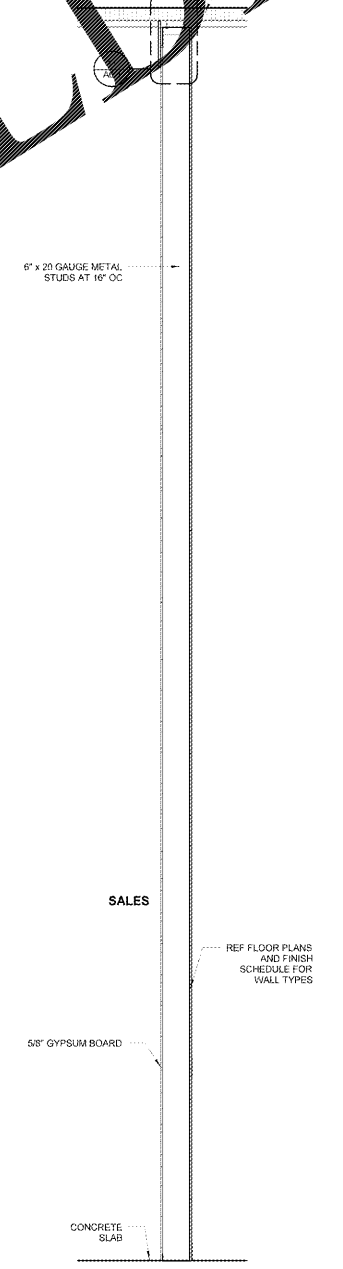


5 WALL SECTION
 3/4" x 1'-0"

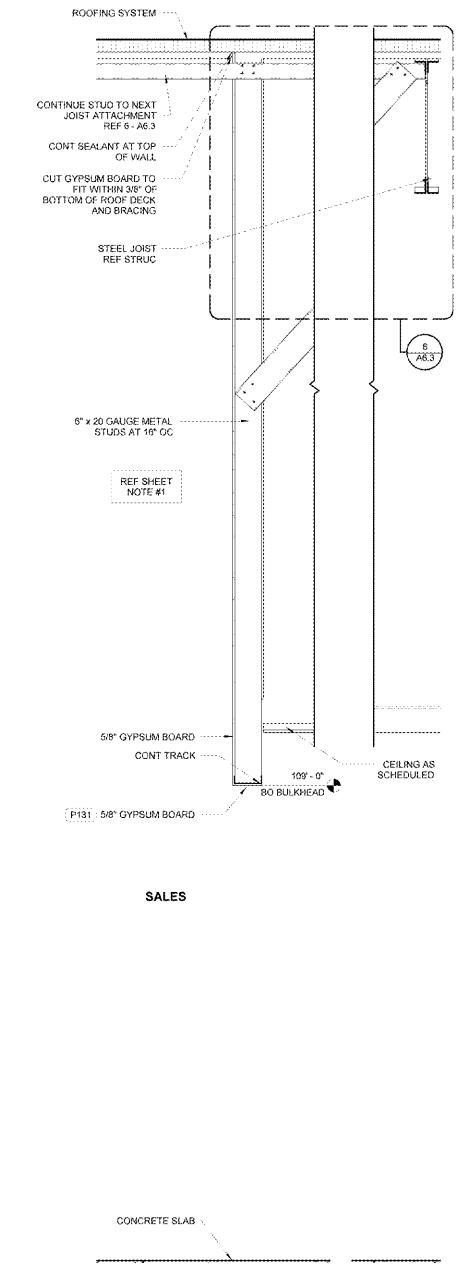
4 WALL SECTION
 3/4" x 1'-0"



3 WALL SECTION
 3/4" x 1'-0"



2 WALL SECTION
 3/4" x 1'-0"



1 BULKHEAD SECTION
 3/4" x 1'-0"

RET DES
 RETAIL DESIGN COLLABORATIVE

STIPULATION FOR THE USER: THE DRAWING AND INFORMATION CONTAINED HEREIN ARE THE PROPERTY OF RETAIL DESIGN COLLABORATIVE. THEY ARE TO BE USED ONLY FOR THE PROJECT AND SITE SPECIFICALLY IDENTIFIED HEREON. ANY REUSE, REPRODUCTION, OR DISTRIBUTION OF THIS INFORMATION WITHOUT THE WRITTEN PERMISSION OF RETAIL DESIGN COLLABORATIVE IS STRICTLY PROHIBITED. RETAIL DESIGN COLLABORATIVE SHALL NOT BE RESPONSIBLE FOR ANY ERRORS OR OMISSIONS. THE USER SHALL BE RESPONSIBLE FOR VERIFYING ALL INFORMATION AND CONDITIONS PRIOR TO CONSTRUCTION.

CONSULTANTS

Walmart
LEESBURG VIRGINIA

STORE NO: 1904-05
 11/04/28 | PHOTO: C-190-550-CL

ISSUE BLOCK

OTB	11/30/17

CHECKED BY: RW
 DRAWN BY: EH
 PROTO CYCLE: 04/28/17
 DOCUMENT DATE: 08/13/17

BID SET NOT FOR CONSTRUCTION

INTERIOR WALL SECTIONS

SHEET: **A6.3**

Order Plans @ www.ldilinc.com

www.ldilinc.com