

STIPULATION FOR THE USE OF THIS DRAWING: THIS DRAWING IS THE PROPERTY OF RETAIL DESIGN COLLABORATIVE AND IS TO BE USED ONLY FOR THE PROJECT AND SITE SPECIFICALLY IDENTIFIED HEREON. IT IS NOT TO BE REPRODUCED, COPIED, REUSED, OR TRANSMITTED IN ANY FORM OR BY ANY MEANS, ELECTRONIC OR MECHANICAL, INCLUDING PHOTOCOPYING, RECORDING, OR BY ANY INFORMATION STORAGE AND RETRIEVAL SYSTEM, WITHOUT THE WRITTEN PERMISSION OF RETAIL DESIGN COLLABORATIVE. ANY UNAUTHORIZED USE OF THIS DRAWING SHALL BE AT THE USER'S SOLE RISK AND WITHOUT LIABILITY TO RETAIL DESIGN COLLABORATIVE.

CONSULTANTS

Walmart
LEESBURG, VIRGINIA
 STORE NO: 1904-05
 11/06/2017 | PROJECT: C-190-SS-01
 JOB NUMBER: 11/06/2017

ISSUE BLOCK

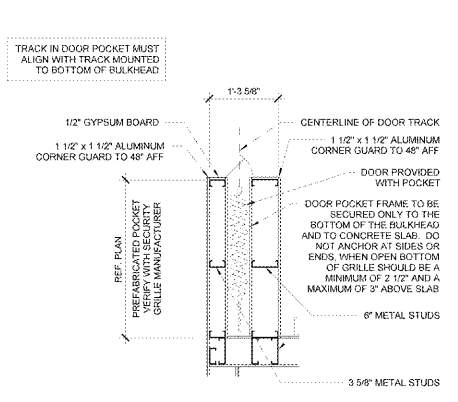
OTB	11/30/17

CHECKED BY: RW
 DRAWN BY: EH
 PROTO CYCLE: 04/28/17
 DOCUMENT DATE: 09/13/17

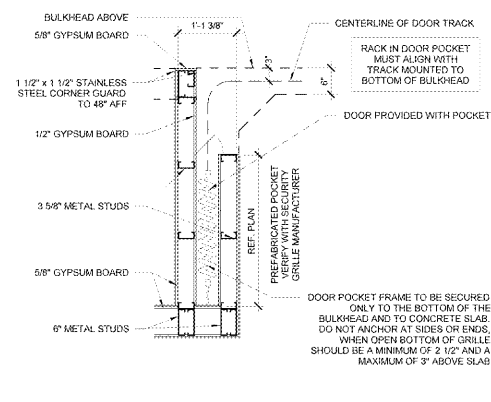
BID SET NOT FOR CONSTRUCTION

INTERIOR WALL SECTIONS

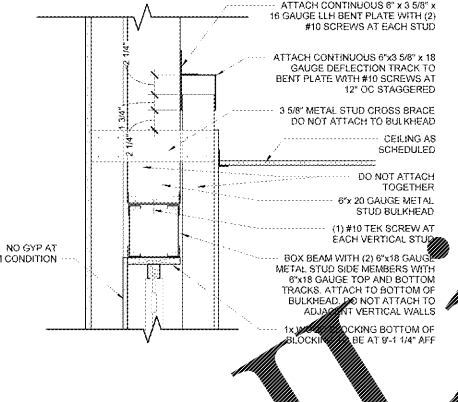
SHEET: A6.2



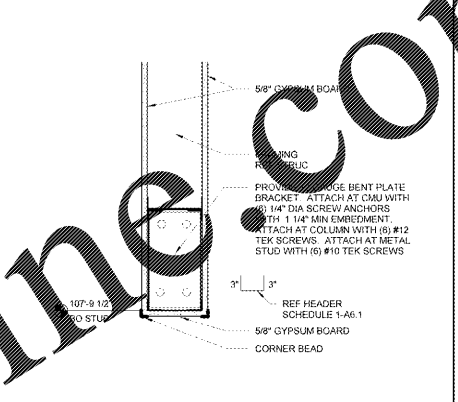
8 SECURITY GRILLE POCKET
 3/4" = 1'-0"



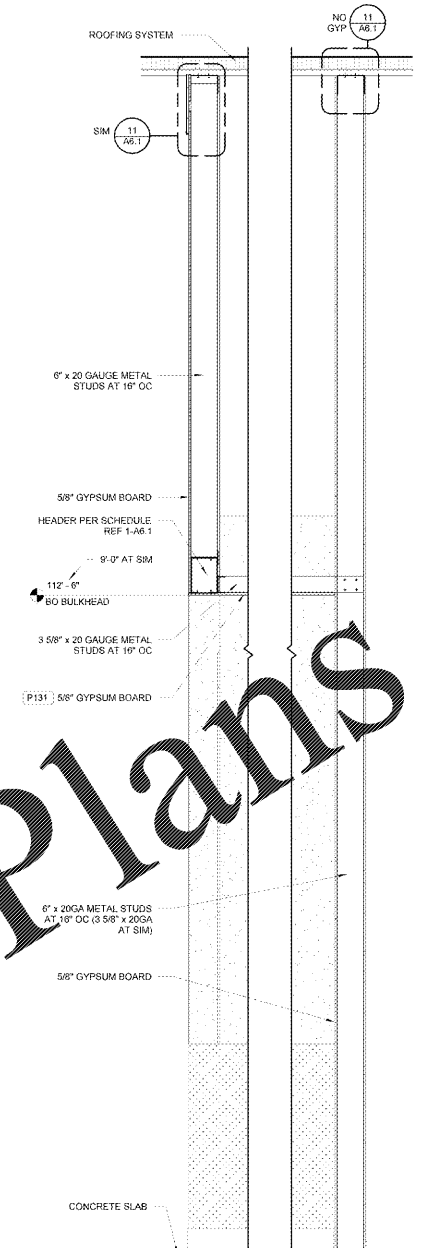
7 SECURITY GRILLE POCKET
 3/4" = 1'-0"



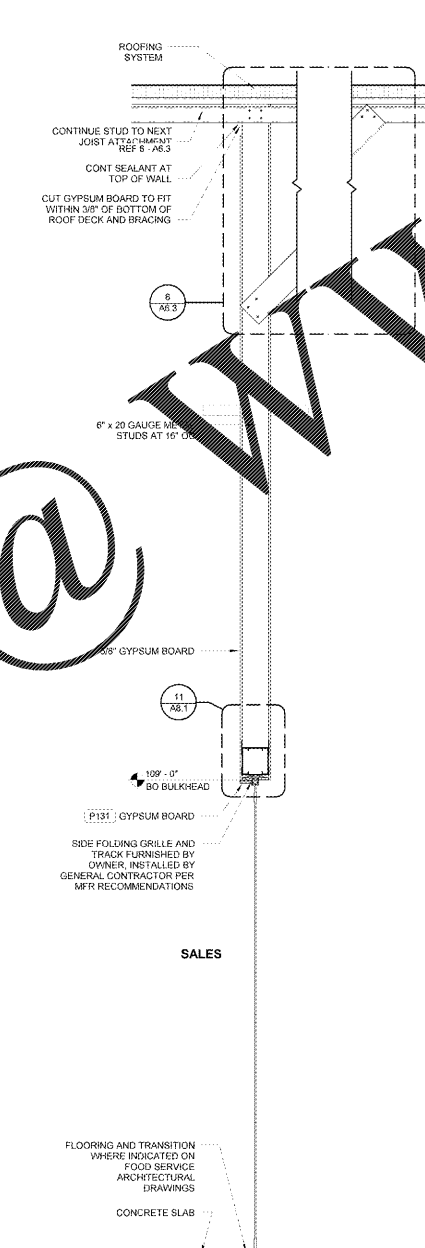
6 HEAD DETAIL
 1/12" = 1'-0"



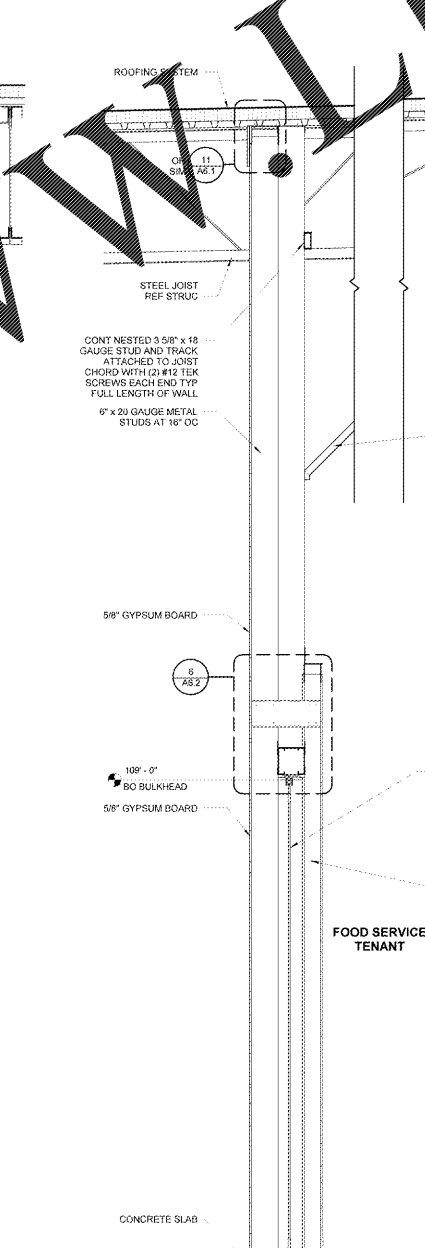
5 HEADER AT CART STORAGE
 1/12" = 1'-0"



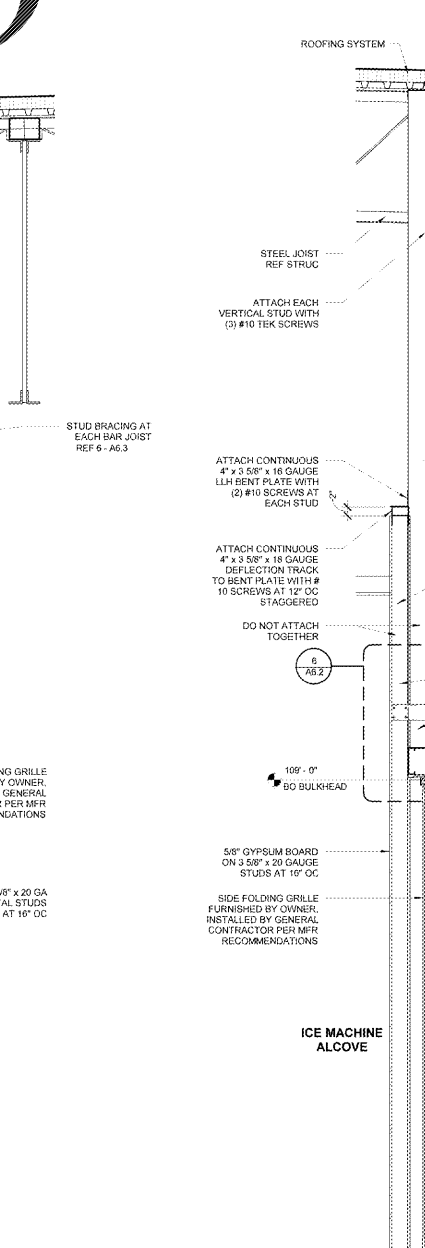
4 WALL SECTION
 3/4" = 1'-0"



3 WALL SECTION
 3/4" = 1'-0"



2 WALL SECTION
 3/4" = 1'-0"



1 GRILLE POCKET SECTION
 3/4" = 1'-0"

Order Plans

@

WWW.WALDLINE.COM