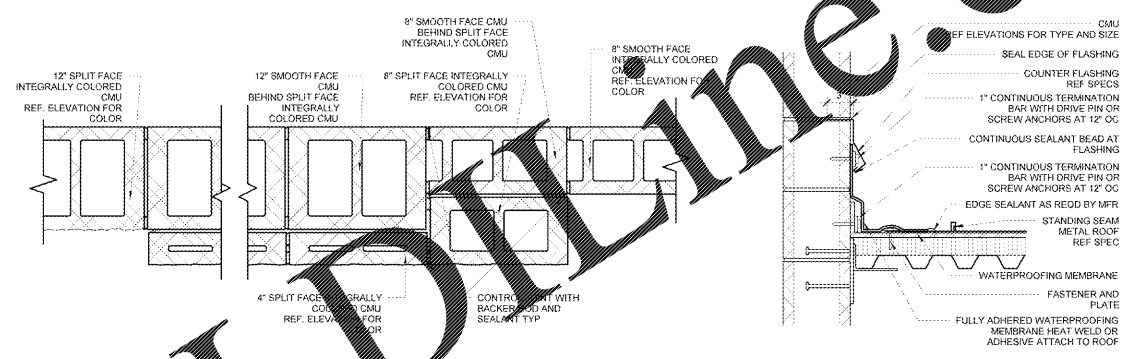


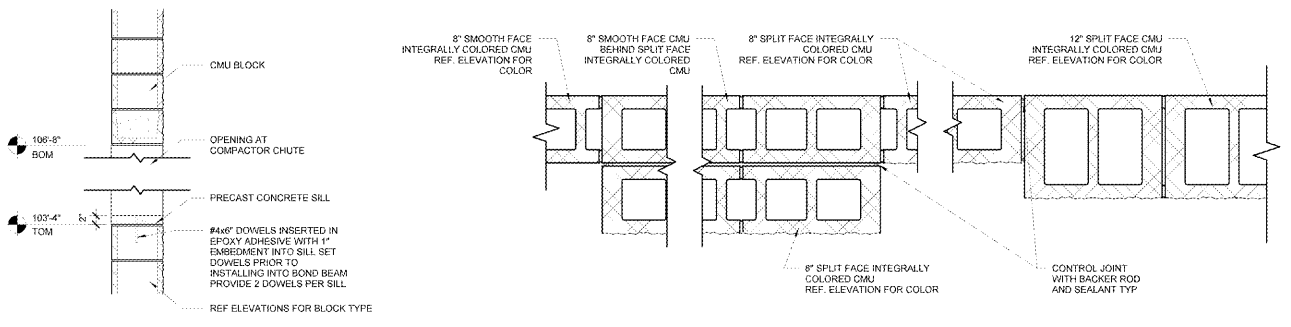
13 MATERIAL TRANSITION SECTION
3/4" x 1'-0"

12 NOT USED



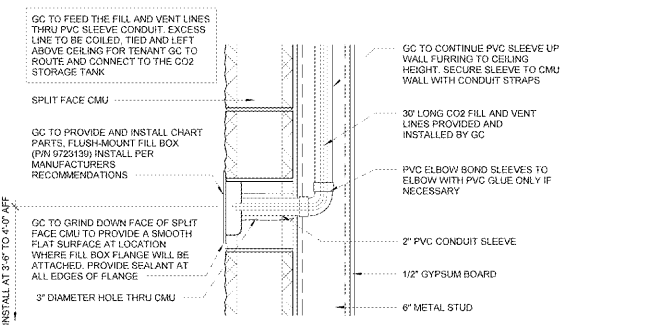
9 MATERIAL TRANSITION DETAIL
1 1/2" x 1'-0"

8 FLASHING SECTION
1 1/2" x 1'-0"

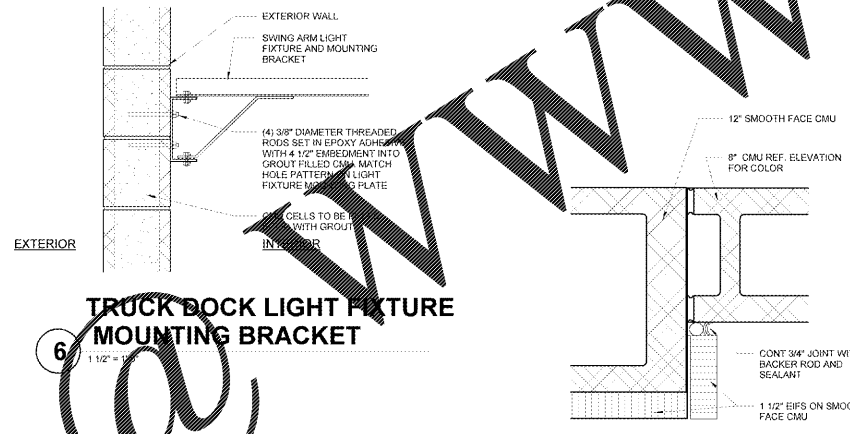


11 OPENING AT COMPACTOR CHUTE
3/4" x 1'-0"

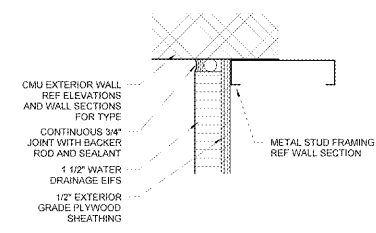
10 MATERIAL TRANSITION DETAIL
1 1/2" x 1'-0"



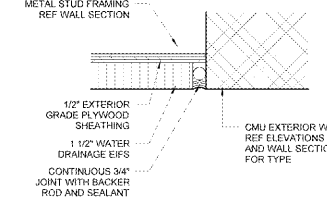
7 SECTION AT FILL PORT
1 1/2" x 1'-0"



6 TRUCK DOCK LIGHT FIXTURE MOUNTING BRACKET
1 1/2" x 1'-0"

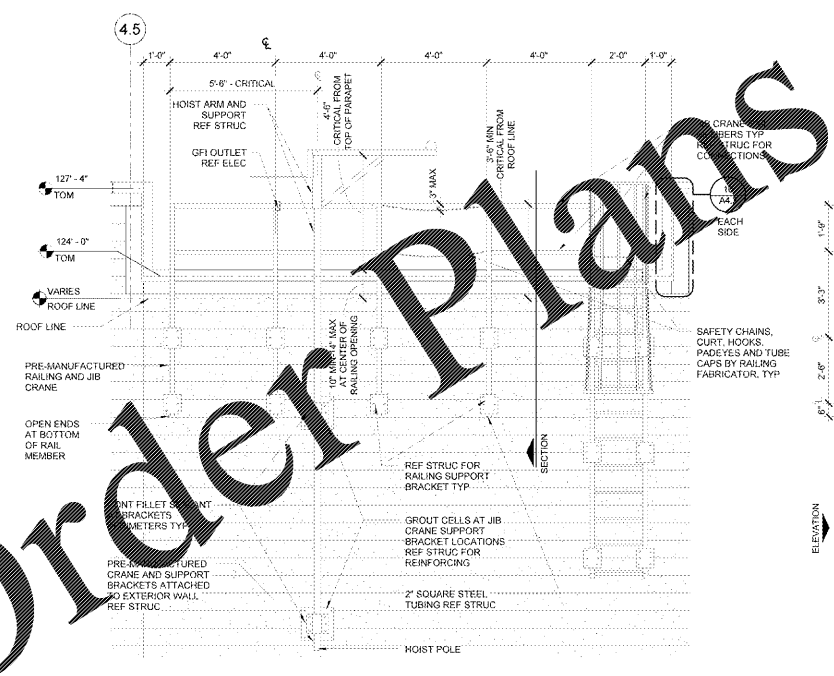


5B MATERIAL TRANSITION
3" x 1'-0"

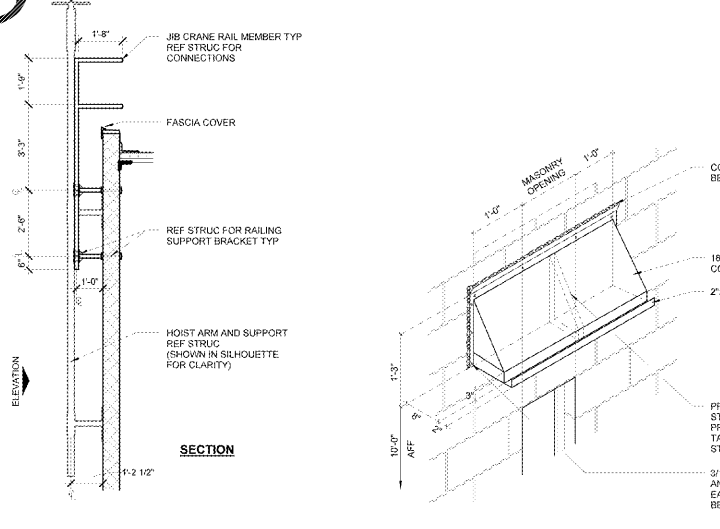


5A MATERIAL TRANSITION
3" x 1'-0"

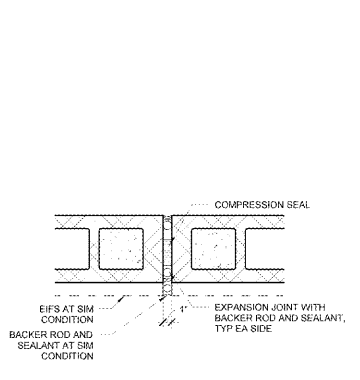
5C MATERIAL TRANSITION
3" x 1'-0"



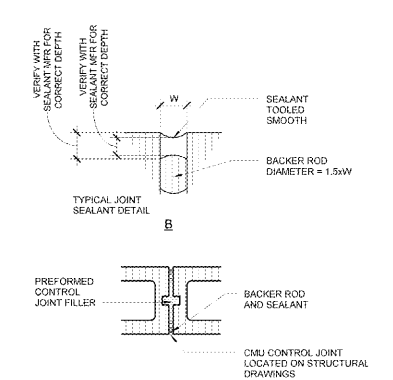
4 JIB CRANE ASSEMBLY
3/8" x 1'-0"



3 DOOR HOOD
3/4" x 1'-0"



2 EXPANSION JOINT
1 1/2" x 1'-0"



1 CONTROL JOINT
1 1/2" x 1'-0"

Order Plans @ www.LDOnline.com