

KEYNOTE LEGEND	
3.01	CONCRETE STAIR REF STRUC
3.16	CONCRETE CURB - PAINT ON FACE AND 6" ON TOP
5.02	PAINTED 6" PIPE BOLLARD

RET DESIGN
 RETAIL DESIGN COLLABORATIVE
 11000 Old Dominion Blvd
 Suite 200
 Fairfax, VA 22030
 703.351.9554
 rdcollab@ret.com

STIPULATION FOR THE USER: THE DRAWING AND INFORMATION CONTAINED HEREIN ARE THE PROPERTY OF RETAIL DESIGN COLLABORATIVE, INC. AND ARE NOT TO BE REPRODUCED, COPIED, OR TRANSMITTED IN ANY FORM OR BY ANY MEANS, ELECTRONIC OR MECHANICAL, INCLUDING PHOTOCOPYING, RECORDING, OR BY ANY INFORMATION STORAGE AND RETRIEVAL SYSTEM, WITHOUT THE WRITTEN PERMISSION OF RETAIL DESIGN COLLABORATIVE, INC. THIS DRAWING IS THE PROPERTY OF RETAIL DESIGN COLLABORATIVE, INC. AND IS TO BE USED ONLY FOR THE PROJECT AND SITE SPECIFICALLY IDENTIFIED HEREON. ANY REUSE OF THIS DRAWING FOR ANY OTHER PROJECT IS STRICTLY PROHIBITED. RETAIL DESIGN COLLABORATIVE, INC. SHALL NOT BE RESPONSIBLE FOR ANY ERRORS OR OMISSIONS IN THIS DRAWING.

CONSULTANTS

Walmart
LEESBURG, VIRGINIA
 STORE NO: 1904-05
 11000 Old Dominion Blvd
 Leesburg, VA 22082
 C-1904-S&L-01

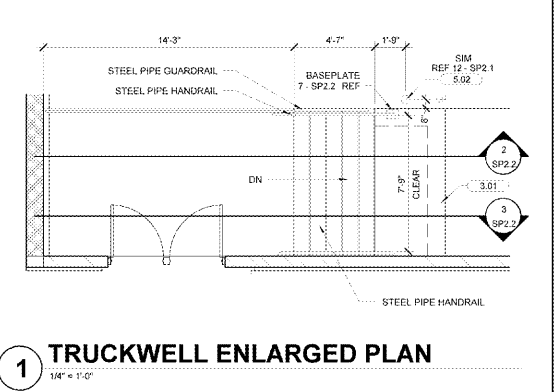
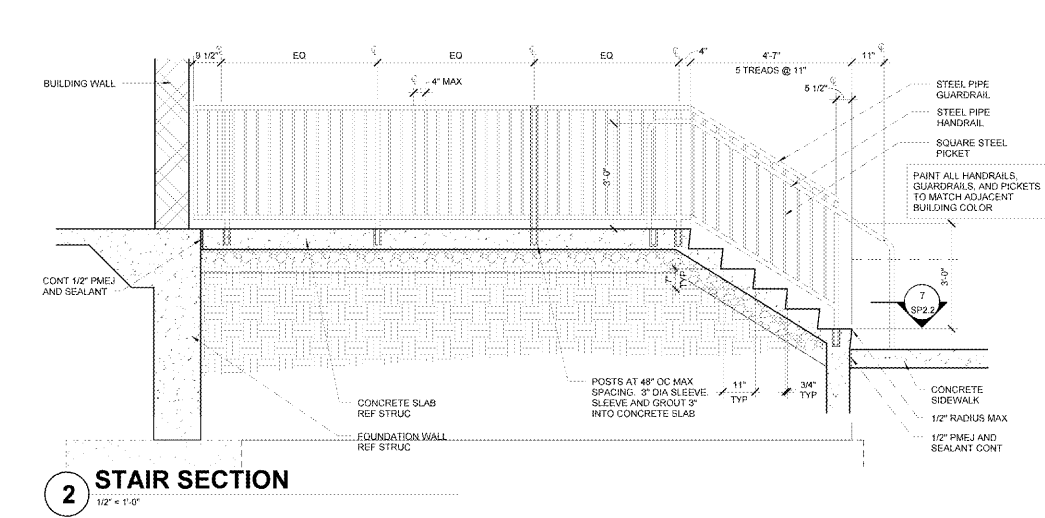
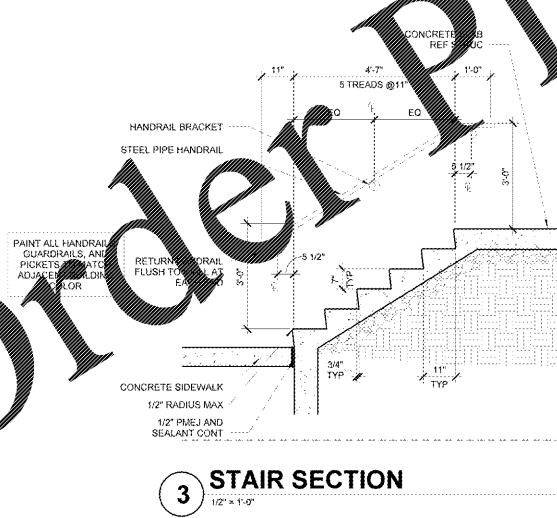
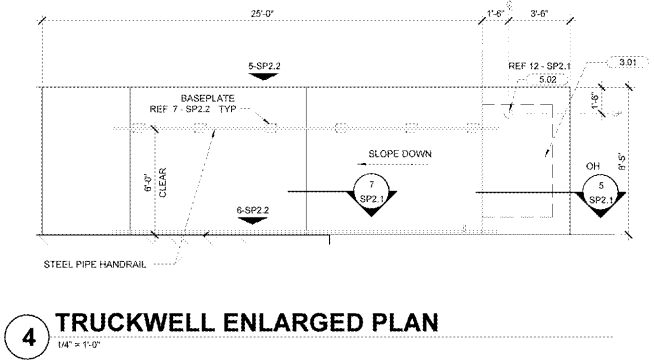
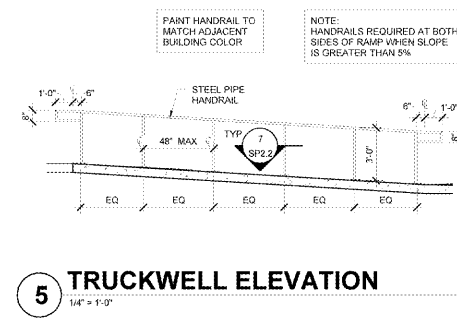
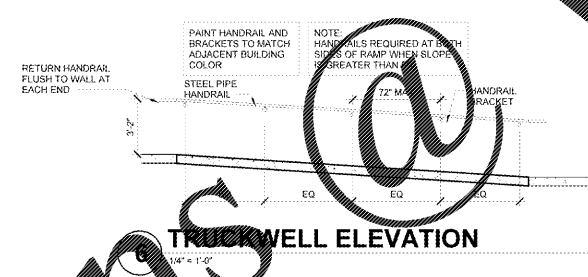
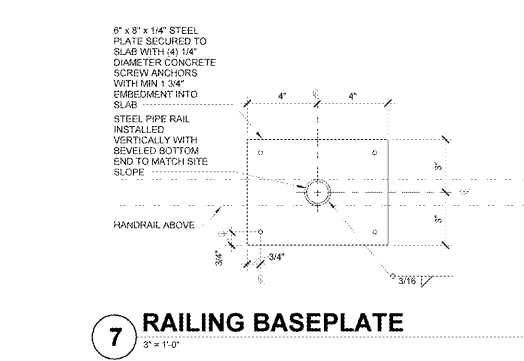
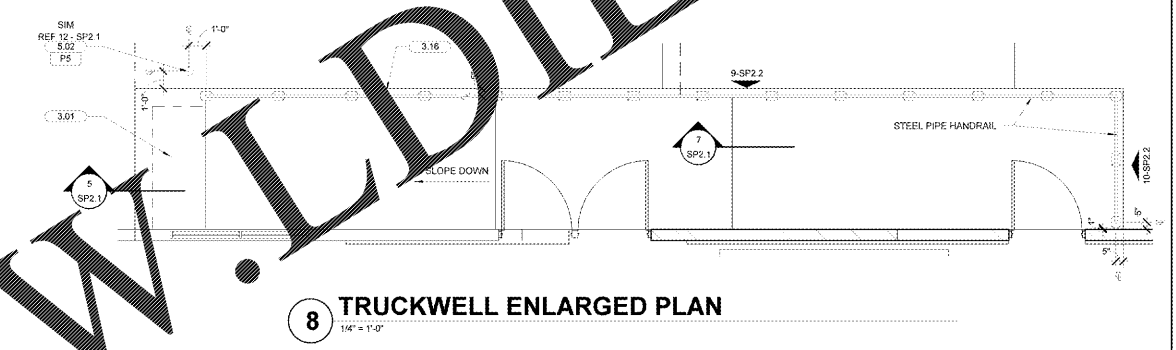
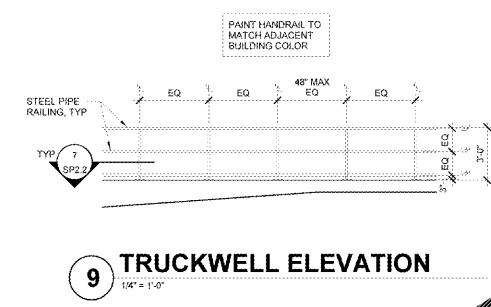
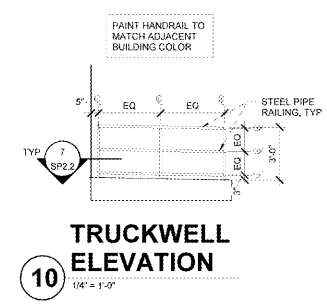
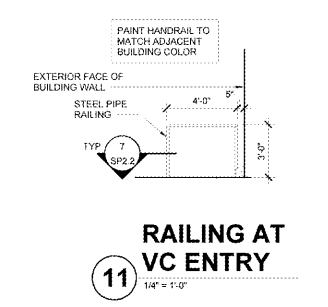
ISSUE BLOCK	
OTB	11/30/17

CHECKED BY: RW
 DRAWN BY: EH
 PHOTO CYCLE: 04/28/17
 DOCUMENT DATE: 09/13/17

BID SET
 NOT FOR
 CONSTRUCTION

SITE DETAILS

SHEET: SP2.2



Order Plans

WWW.LDILine.com