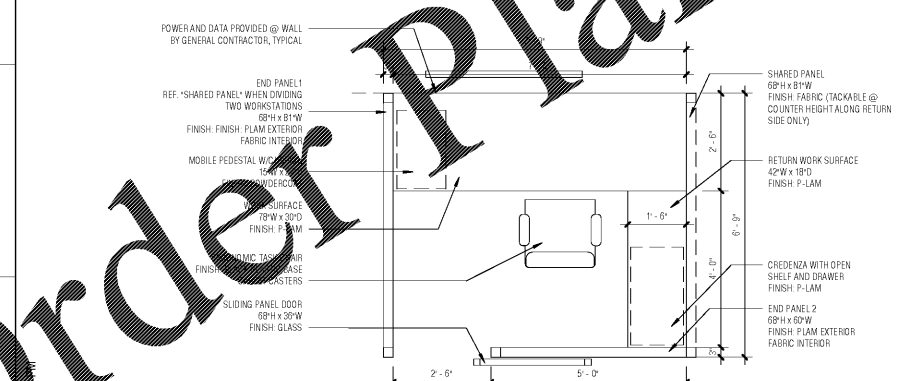
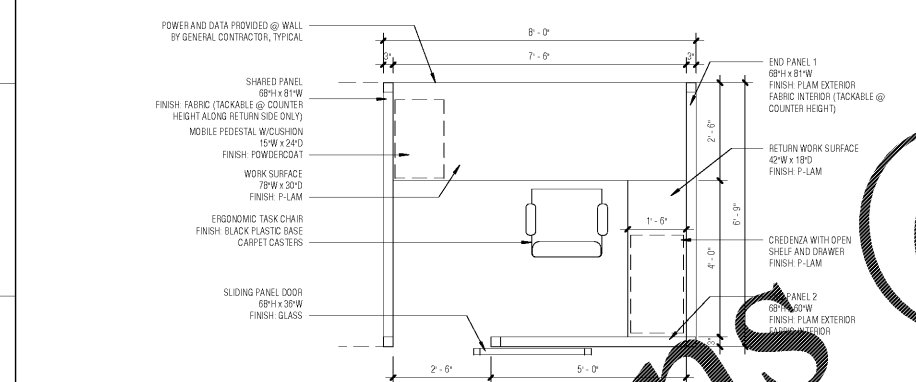
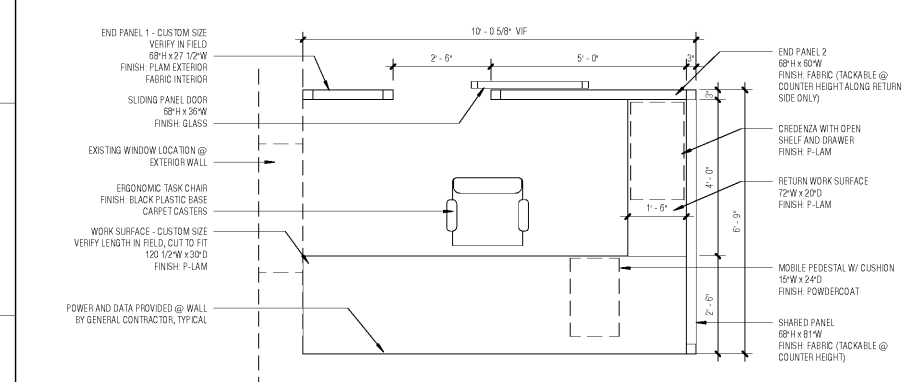
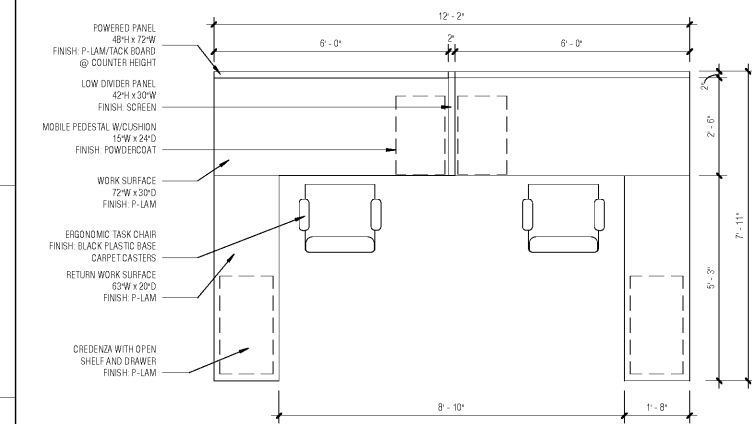


FURNITURE SCHEDULE						
FURNITURE PLAN CODE	DESCRIPTION	QTY	MANUFACTURER	SERIES	SIZE / MODEL	COMMENTS
CB1	CORKBORARD	1	BY OWNER	BY OWNER		INSTALL BY FURNITURE VENDOR, BLOCKING BY CONTRACTOR
CH1	TASK CHAIR	26	KNOLL	REGENERATION	29"W x 24"D	INSTALL BY FURNITURE VENDOR
CH2	STOOL	2	KNOLL	6161	17CH	INSTALL BY FURNITURE VENDOR
FC1	LATERAL FILE CABINET	8	KNOLL	CALIBRE	3-DRAWER, 30"W	LAMINATE FRONTS, INSTALL BY FURNITURE VENDOR
MB1	MARKER BOARD	3	BY OWNER	BY OWNER		INSTALL BY FURNITURE VENDOR, BLOCKING BY CONTRACTOR
TA1	LOW TABLE	2	KNOLL	DIVIDENDS HORIZON	29"0 x 28"0	INSTALL BY FURNITURE VENDOR
TA2	COUNTER-HEIGHT TABLE	2	KNOLL	DIVIDENDS HORIZON	29"0 x 42"0	INSTALL BY FURNITURE VENDOR
WS1	WORKSTATION	9	KNOLL	DIVIDENDS HORIZON	REF. 3/101.D	INSTALL BY FURNITURE VENDOR
WS1(A)	WORKSTATION	1	KNOLL	DIVIDENDS HORIZON	REF. 3/101.D	INSTALL BY FURNITURE VENDOR
WS1(B)	WORKSTATION	1	KNOLL	DIVIDENDS HORIZON	REF. 4/101.D	INSTALL BY FURNITURE VENDOR
WS2	WORKSTATION	7	KNOLL	DIVIDENDS HORIZON	REF. 5/101.D	INSTALL BY FURNITURE VENDOR

- GRAPHIC LEGEND**
- EXISTING WALLS, PARTITIONS, COLUMNS, FIXTURES, EQUIPMENT, ETC. TO REMAIN
 - NEW WALLS, PARTITIONS, COLUMNS, FIXTURES, EQUIPMENT, ETC.
 - EXISTING WALLS, PARTITIONS, COLUMNS, FIXTURES, EQUIPMENT, ETC. TO BE REMOVED
 - EXISTING 1 HOUR FIRE RATED PARTITION
- FURNITURE PLAN NOTES**
- THE FURNITURE PLAN IS INTENT ONLY. FINAL FURNITURE LOCATIONS AND DIMENSIONS TO BE DETERMINED BY OWNER, FURNITURE VENDOR AND FIELD VERIFIED BY FURNITURE INSTALLER PRIOR TO BEGINNING WORK. OWNER AND ARCHITECT WILL BE NOTIFIED IMMEDIATELY UPON ANY CHANGES.
 - OWNER AND CONTRACTOR TO PROVIDE POWER AND STUB UPS FOR DATA DROPS AT ALL WORKSTATIONS. FURNITURE LOCATIONS AS NOTED ON DRAWINGS. VERIFY ALL ROOMS WITH FURNITURE INSTALLER PRIOR TO BEGINNING WORK. SEE ELECTRICAL ESD.



1 | ID1.0 | FURNITURE PLAN - NEW J.I.R. OFFICE
1/2" = 1'-0"

NANO ARCHITECTURE
RESARCH ARCHITECTS FURNITURE

REV	DATE	DESCRIPTION	BY

SEWERAGE AND WATER BOARD OF NEW ORLEANS

CONTRACT 8155
ELECTRICAL STORAGE ROOM OFFICE RENOVATION

FURNITURE PLAN ID1.0

DR: SJ
INC:
SK: KK
AP: TD
SCALE: As indicated
DATE: 15 NOVEMBER 2017
DWG. No. 12148-W-60
SETING: BID DOCUMENTS
SHEETING:

Order Plans @ NANO Architecture

11/15/2017 4:00 PM