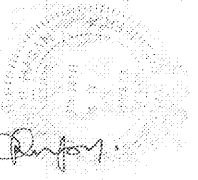


**THE DIMENSION GROUP**  
 ARCHITECTURE • CIVIL ENGINEERING • MEP ENGINEERING • PLUMBING  
 1775 SANDHILL ROAD, SUITE 100, JUPITER, FL 33458-3001 | dimensiongroup.com



12/1/2017

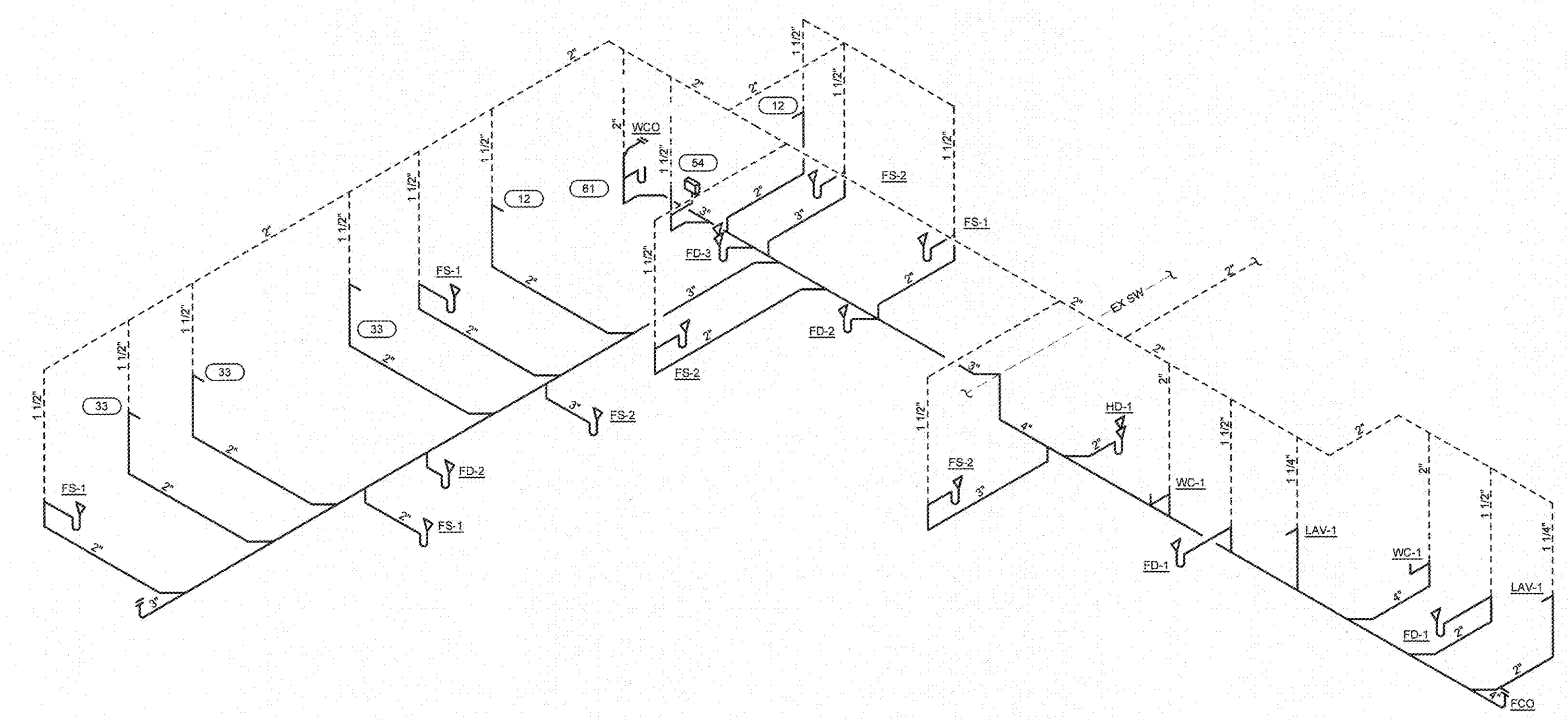
ABACOA TOWN CENTER  
 1209 MAIN STREET  
 UNIT 116  
 JUPITER, FLORIDA

| REVISIONS |  |
|-----------|--|
| △         |  |
| △         |  |
| △         |  |
| △         |  |

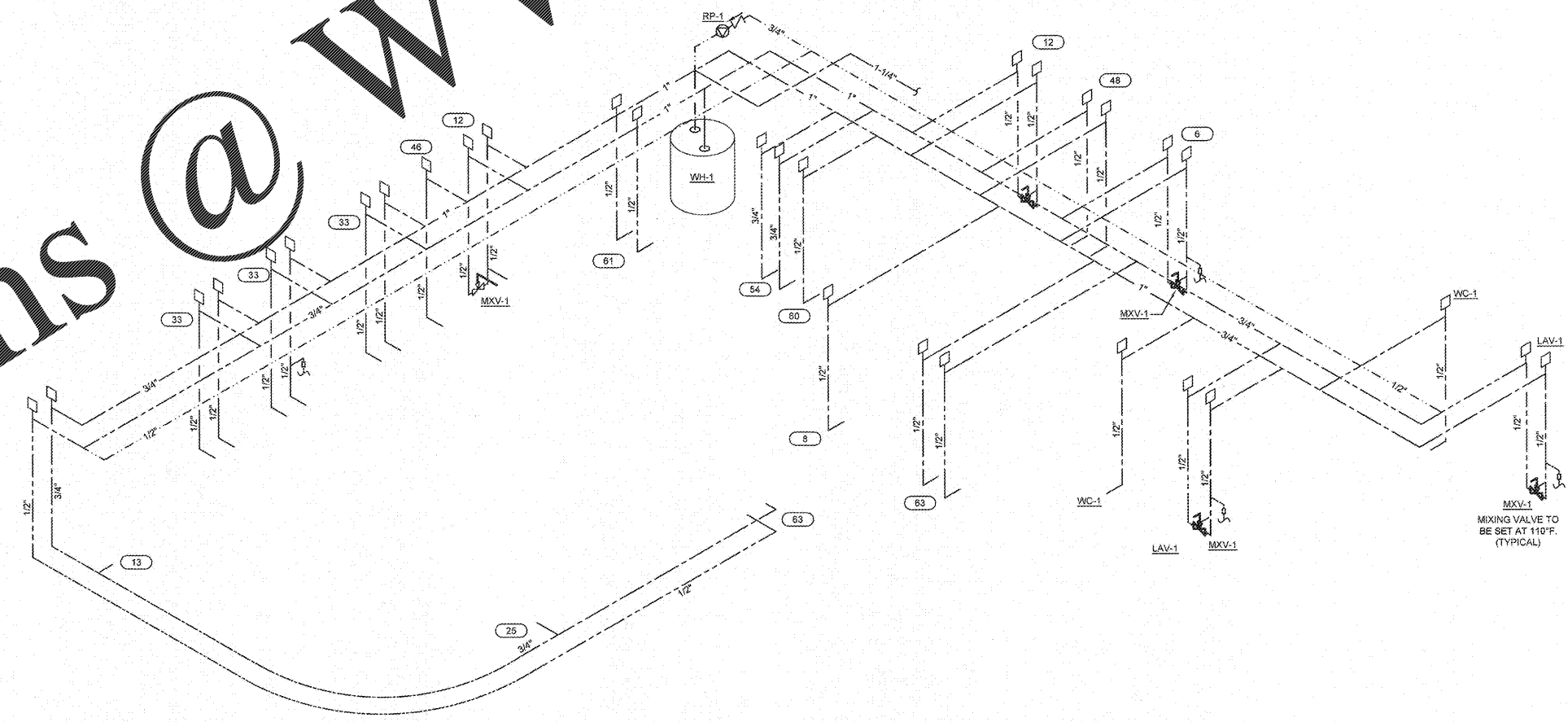
DRAWN BY: TG      CHECKED BY: AH  
 PROJECT NUMBER: 17-598  
 DATE: 10-24-2017

**PLUMBING RISER DIAGRAMS**

**P1.2**



WATER RISER  
 N.T.S.



MKV-1  
 MIXING VALVE TO  
 BE SET AT 110°F.  
 (TYPICAL)

Order Plans @ [www.LDILine.com](http://www.LDILine.com)