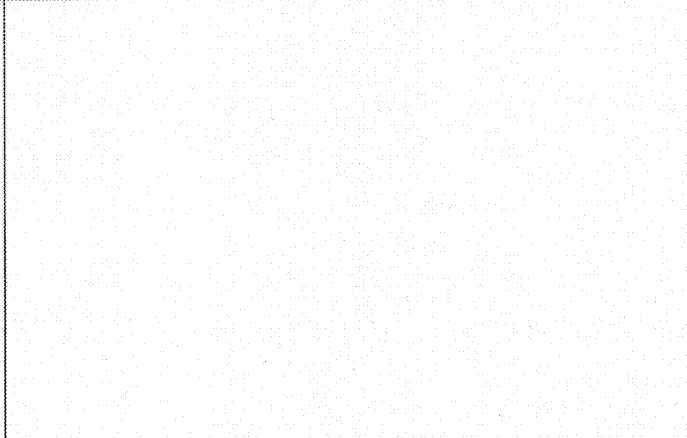
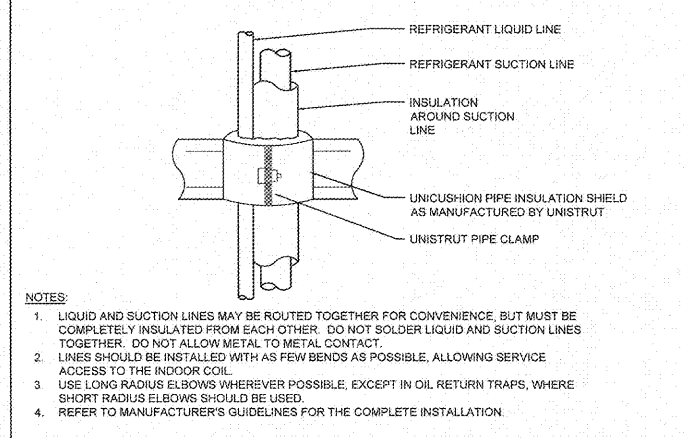


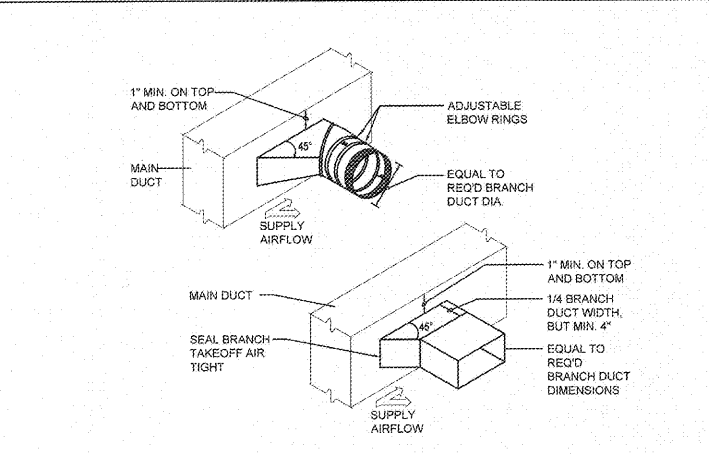
PIPING AND CONDUIT ROOF PENETRATION DETAIL
SCALE: NONE 1



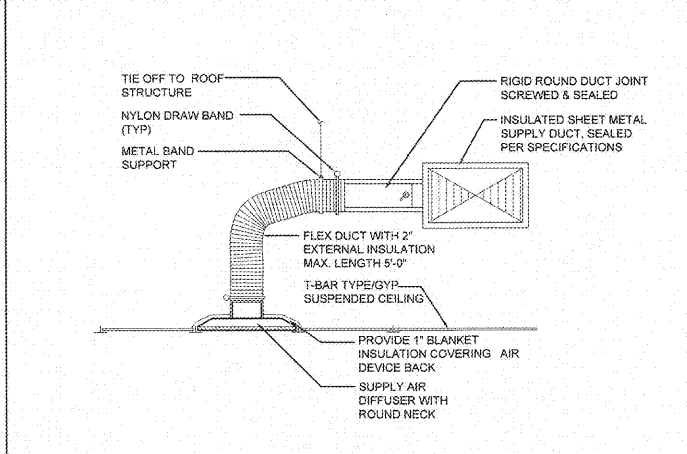
VERTICAL REFRIGERANT PIPE SUPPORT DETAIL
SCALE: NONE 3



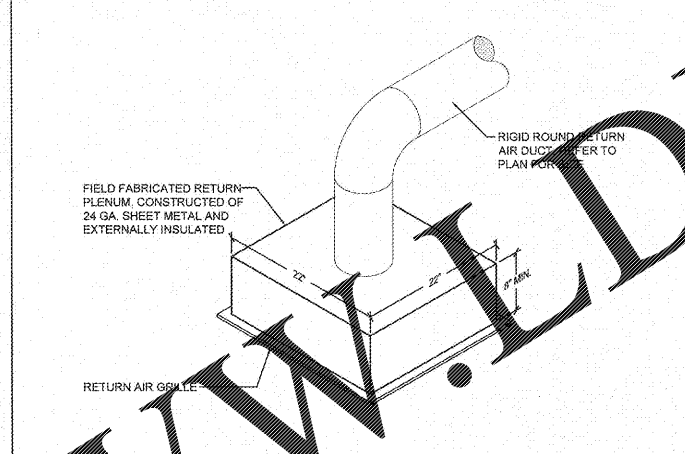
HORIZONTAL REFRIGERANT PIPE SUPPORT DETAIL
SCALE: NONE 4



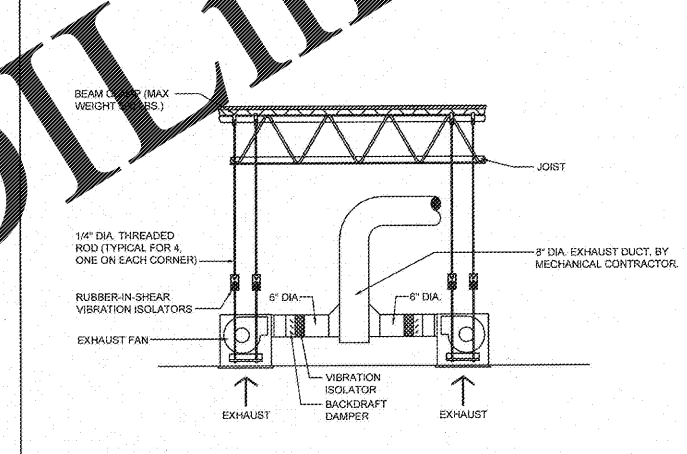
BRANCH TAKE-OFF FITTING DETAIL
SCALE: NONE 5



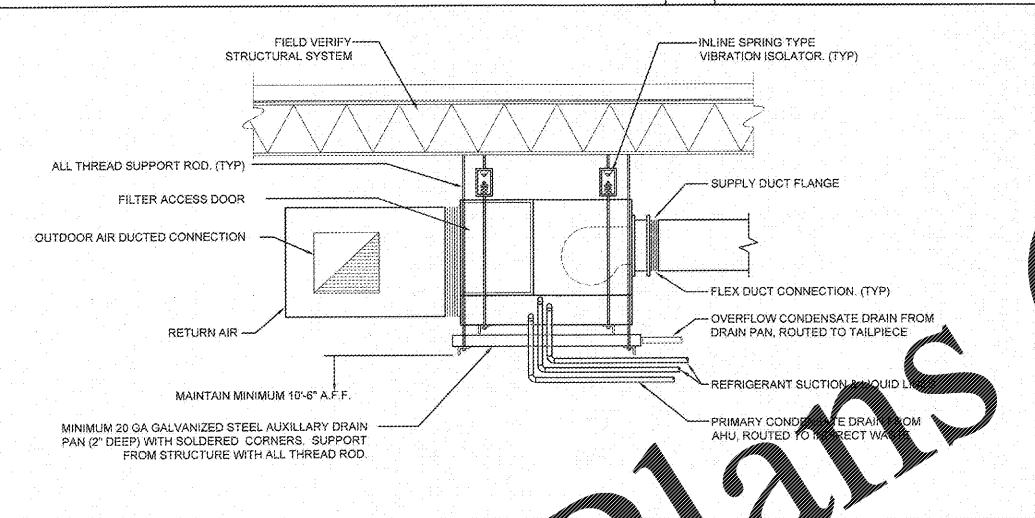
CEILING MOUNTED SUPPLY AIR DIFFUSER DETAIL
SCALE: NONE 6



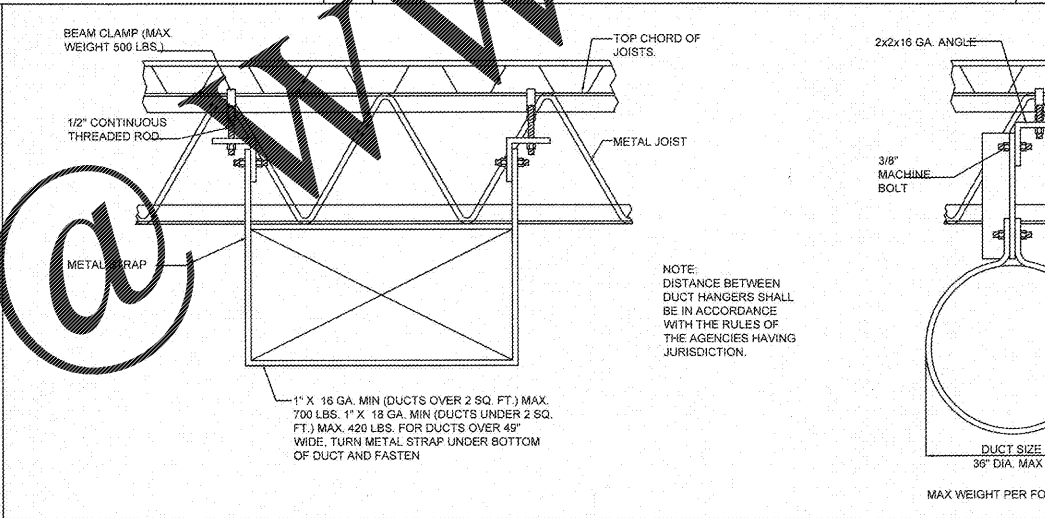
CEILING MNTD. RETURN AIR GRILLE DETAIL
SCALE: NONE 7



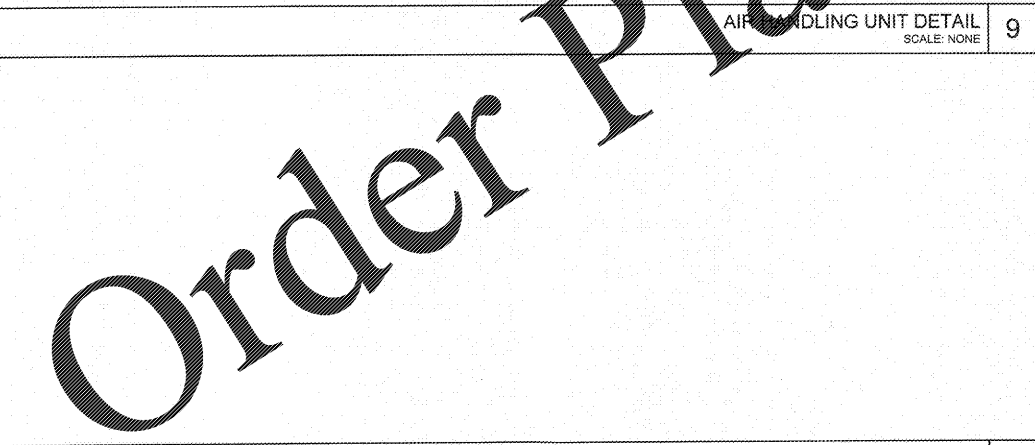
CEILING MOUNTED CABINET FAN DETAIL
SCALE: NONE 8



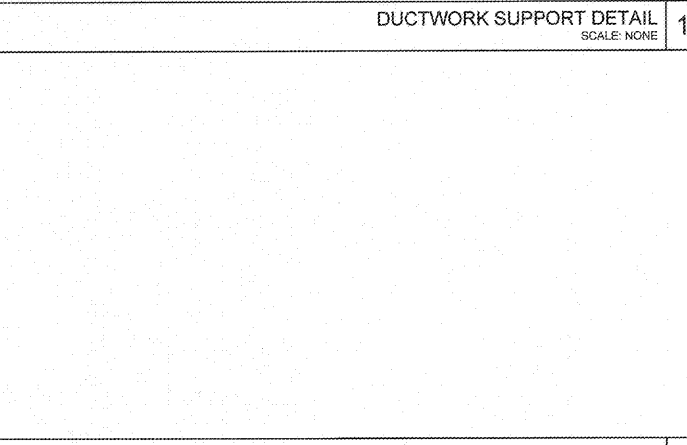
AIR HANDLING UNIT DETAIL
SCALE: NONE 9



DUCTWORK SUPPORT DETAIL
SCALE: NONE 10

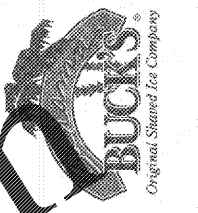


SIDE SUPPLY GRILLE DETAIL
SCALE: NONE 12



NOT USED
SCALE: NONE 13

Order Plans



THE DIMENSION GROUP
 ARCHITECTURE • CIVIL ENGINEERING • MEP ENGINEERING • PLUMBING
 10255 Central Expressway, Suite 100, Jacksonville, FL 32216
 Phone: 904.744.1111 Fax: 904.744.1112

12/1/2017

ABACOA TOWN CENTER
 1209 MAIN STREET
 UNIT 116
 JUPITER, FLORIDA

REVISIONS:

DRAWN BY: CS CHECKED BY: AT
 PROJECT NUMBER: 17-598

DATE: 10-24-2017

MECHANICAL DETAILS

M3.0