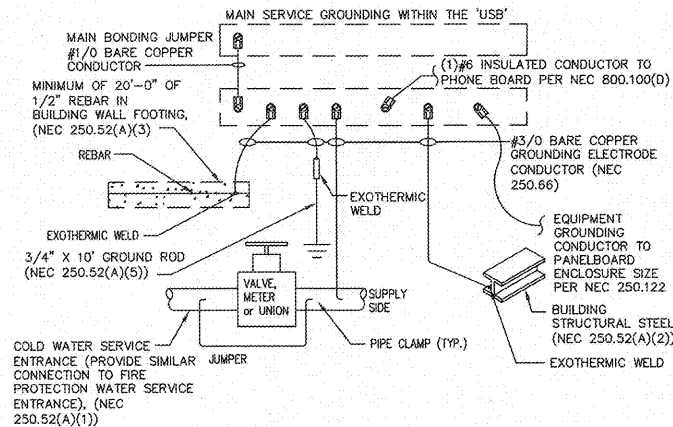


NOTE:
1. ALL WIRING BY ELECTRICAL CONTRACTOR.

ROOF TOP UNIT WIRING DIAGRAM
NOT TO SCALE 1



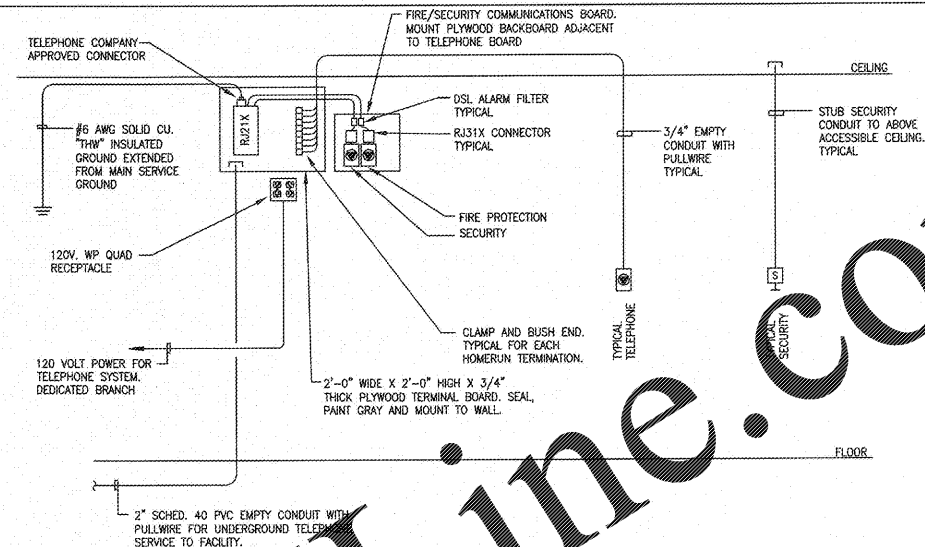
NOTES:

1. ALL GROUNDING SHALL BE INSTALLED IN ACCORDANCE WITH ARTICLE 250 OF THE NATIONAL ELECTRICAL CODE.
2. ALL GROUNDING ELECTRODE CONDUCTORS SHALL BE COPPER #3/0 UNLESS NOTED OTHERWISE.
3. REFER TO ELECTRICAL SPECIFICATIONS FOR ADDITIONAL GROUNDING REQUIREMENTS.

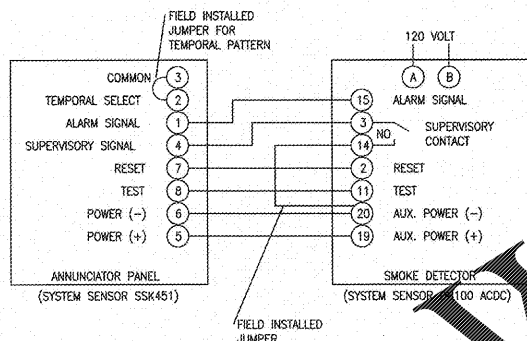
GROUNDING OF MAIN SERVICE ENTRANCE
NOT TO SCALE 2

TELEPHONE SYSTEM RISER DIAGRAM

1. VERIFY, COORDINATE AND INCORPORATE THE REQUIREMENTS OF THE TELE. CO. AND ALL GOVERNING CODES IN FORCE, PRIOR TO COMMENCEMENT OF WORK.
2. FURNISH AND INSTALL A RACEWAY SYSTEM OF CABLE AND 3/4" CONDUIT AND PROPERLY SIZED JUNCTION BOXES WITH COVERPLATES FOR THE TELEPHONE SYSTEM AS SHOWN ON THE DRAWINGS AND IN THE DIAGRAM.
3. ALL CONDUIT SHALL ORIGINATE AT THE JUNCTION BOXES, BE NO SMALLER THAN 3/4" ELECTRICAL TRADE SIZE, BE CONTINUOUS AND TERMINATE AT THE SYSTEM TERMINAL BOARD NEATLY CLAMPED AND WITH BUSHED ENDS. HOME RUNS SHALL BE LIMITED TO ONE (1) TELEPHONE OUTLET IN ONE 3/4" CONDUIT.
4. THERE ARE MULTIPLE DEDICATED TELEPHONE LINES AND THEY SHALL BE SEGREGATED FROM EACH OTHER AND SHALL BE SEGREGATED FROM THE STANDARD TELEPHONE LINES.
5. FURNISH AND INSTALL A 200 LB TEST NYLON PULL LINE IN ANY EMPTY CONDUIT. TAG EACH END OF PULL LINE AS TO SERVICE AND THE LOCATION OF THE OPPOSITE TERMINUS OF THE CONDUIT.
6. ALL CONDUITS SHALL CONTAIN ONE (1) HIGH QUALITY 4 PAIR CAT III FIBER OPTIC TELEPHONE LINES PULLED WITH PROPER INSTALLED JACKS. LINES MUST BE LABELED AT TELEPHONE BOARD.

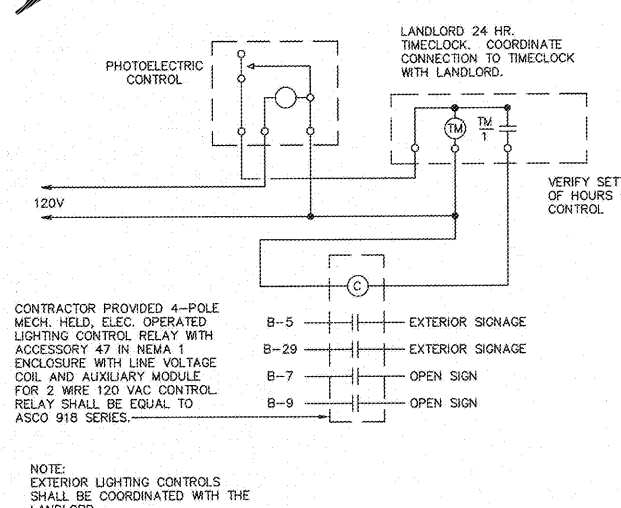
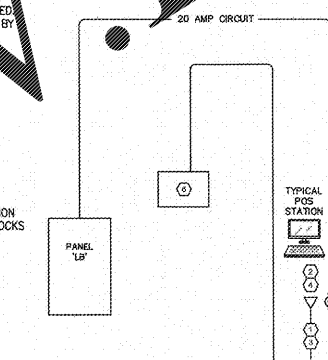


TELEPHONE SYSTEM RISER DIAGRAM
NOT TO SCALE 3



NOTES:

1. 1" CONDUIT WITH 4 EACH, 24 GAUGE COPPER, SOLID CONDUCTOR, TWISTED PAIR, CATEGORY 5E CABLE FOR POINT OF SALE COMMUNICATION CABLES REQUIRED. INSTALLED BY CONTRACTOR AND FINAL CONNECTION BY POS COMPANY.
2. PROVIDE 2FT. OF ACCESS CABLE TO BOTH ENDS OF RUN.
3. ROUTE WIRING/CONDUIT ABOVE CEILING.
4. 4/8" CONDUIT WITH SINGLE GANG PLATE WITH (2) DATA PORTS.
5. DUPLEX SOLID WIRE AND RECEPTACLE, LEVITON 252-K TYPICAL.
6. TERMINATE IN MANAGER'S OFFICE DATA COMMUNICATION AREA NEARLY ONTO 110 TYPE BLOCKS. THESE BLOCKS MUST INCLUDE 48 PORT RJ-45 MODULAR PATCH PANELS.

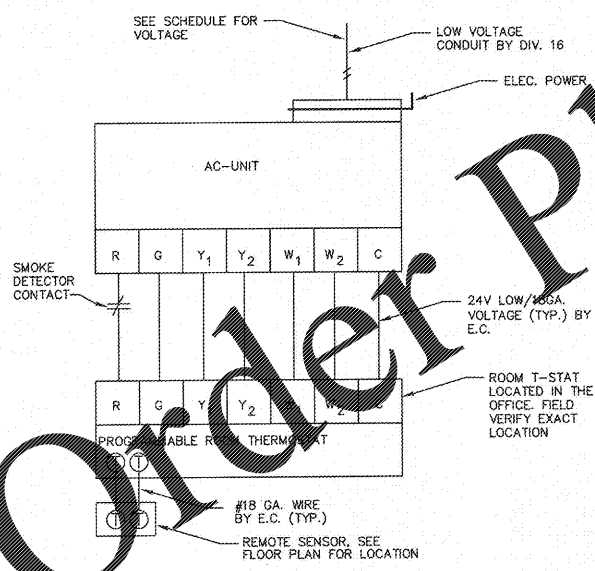


CONTRACTOR PROVIDED 4-POLE MECH. HELD, ELEC. OPERATED LIGHTING CONTROL RELAY WITH ACCESSORY 47 IN NEMA 1 ENCLOSURE WITH LINE VOLTAGE COIL AND AUXILIARY MODULE FOR 2 WIRE 120 VAC CONTROL. RELAY SHALL BE EQUAL TO ASCO 91B SERIES.

NOTE:
EXTERIOR LIGHTING CONTROLS SHALL BE COORDINATED WITH THE LANDLORD.

SPECIAL SYSTEMS WIRING DIAGRAM
NOT TO SCALE 6

LIGHTING CONTROL DIAGRAM
NOT TO SCALE 7



THERMOSTAT WIRING DIAGRAM
NOT TO SCALE 8

BUCK'S
Original, Shared, In Company

THE DIMENSION GROUP

ARCHITECTURE • CIVIL ENGINEERING • MEP ENGINEERING • PLANNING
1000 BIRCHMOUNT ROAD, SUITE 100, JUPITER, FLORIDA 33450-3000

12/1/2017

ABACOA TOWN CENTER
1209 MAIN STREET
UNIT 116
JUPITER, FLORIDA

DRAWN BY: R.T. CHECKED BY: A.H.

REVISIONS

PROJECT NUMBER: 17-598

DATE: 10-24-2017

ELECTRICAL DETAILS

E3.0