

SCHEDULE LEGEND

TAG	ITEM	MANUFACTURER/SUPPLIER	MATERIAL SPECIFICATION	APPLICATION	LOCATION	REMARKS
FLOOR						
F-1	PORCELAIN TILE	DALTILE	AV076361PF 6" X 36" AV07 ALDER STD. GROUT: CUSTOM BUILDING PRODUCTS- #52 TOBACCO BROWN. GROUT LINE 1/8"	PER MANUFACTURER'S SPECIFICATIONS	DINING	RE: FLOOR FINISH PLAN
F-2	EPOXY	HP SPARTACOTE	SPARTA-CHIP COPPER MOUNTAIN 1/8" EPOXY FLOORING WITH SPARTA- GRIP TRACTION ADDITIVE	PER MANUFACTURER'S SPECIFICATIONS	SALES, BACK OF HOUSE AND OFFICE	RE: FLOOR FINISH PLAN
BASE						
B-1	PORCELAIN TILE	DALTILE	AV076361PF 6" X 36" AV07 ALDER STD. GROUT: CUSTOM BUILDING PRODUCTS- #52 TOBACCO BROWN. GROUT LINE 1/8"	PER MANUFACTURER'S SPECIFICATIONS	DINING	RE: INTERIOR ELEVATIONS
B-2	EPOXY	HP SPARTACOTE	SPARTA-CHIP COPPER MOUNTAIN 1/8" EPOXY FLOORING WITH SPARTA- GRIP TRACTION ADDITIVE	PER MANUFACTURER'S SPECIFICATIONS	SALES, BACK OF HOUSE AND OFFICE	RE: INTERIOR ELEVATIONS
WALLS						
WC-1	WAINSCOT	ACROVYN / GRAND ENTRANCE 888.424.6287 GEORDERS@C-SGROUP.COM	ACROVYN 4000 COLOR: BAHAMA TEAL #652. TEXTURE: DADO. INSTALL WITH MARLITE WATER BASE CEMENT. USE CORRESPONDING CORNER AND TRIM PIECES AS REQUIRED	PER MANUFACTURER'S SPECIFICATIONS	DINING WAINSCOT, SALES COUNTER, SOFFIT ABOVE SALES COUNTER	RE: INTERIOR ELEVATIONS
WC-2	PORCELAIN TILE	FLORIM USA	CHARLESTON MULTICOLOR PORCELAIN TILE 3" x 36" WITH STAINLESS STEEL OR ALUMINUM SHLUTER COVE BASE	PER MANUFACTURER'S SPECIFICATIONS	RESTROOM	RE: INTERIOR ELEVATIONS
WC-4	FRP	MARLITE	BRIGHT WHITE	PER MANUFACTURER'S SPECIFICATIONS	BACK OF HOUSE AREA	RE: INTERIOR ELEVATIONS
WC-5	SIDING	BY GC	6" PINE BOXCAR SIDING; PRIMED AND PAINTED SW7005 PURE WHITE	PER MANUFACTURER'S SPECIFICATIONS	LOW WALL	RE: INTERIOR ELEVATIONS
PAINT						
PT-1	CORAL	SHERWIN WILLIAMS	SW1605 "WAX BEGONIA" SEMI GLOSS	PER MANUFACTURER'S SPECIFICATIONS	RESTROOM, SALES AND DINING AREA	RE: RCP, INTERIOR ELEVATIONS
PT-2	WHITE	SHERWIN WILLIAMS	SW7005 "PURE WHITE" GLOSS	PER MANUFACTURER'S SPECIFICATIONS	OFFICE AND RESTROOM	RE: INTERIOR ELEVATIONS
PT-3	TEAL	SHERWIN WILLIAMS	SW1748 "SURPER SAIL"	PER MANUFACTURER'S SPECIFICATIONS	NOT USED	
PT-4	BLACK	SHERWIN WILLIAMS	FLAT BLACK	PER MANUFACTURER'S SPECIFICATIONS	CEILING EXPOSED STRUCTURAL AND EXPOSED DUCTWORK	RE: RCP, INTERIOR ELEVATIONS
CEILING						
CT-1	2 1/2" LAY-IN CEILING PANELS	AMERICAN GYPSUM	FIREBLOC CP BY AMERICAN GYPSUM & CHICAGO METALLIC 15/16" WHITE ALUMINUM CAPPED, HOOK TYPE, #200 SNAP GRID, 2'X4' WHITE GYPSUM LAY-IN CEILING PANEL W/ TEXTURED VINYL	PER MANUFACTURER'S SPECIFICATIONS	KITCHEN	RE: RCP
MISC. INTERIOR						
PL-1	PLASTIC LAMINATE	NEVAMAR	NEVAMAR "KENDO" W22004T	PER MANUFACTURER'S SPECIFICATIONS	SALES AND OFFICE	RE: INTERIOR ELEVATIONS
ST-1	CLEAR COAT	MINWAX	MINWAX CLEAR BRUSHING LACQUER - GLOSS FINISH - 3 COATS	PER MANUFACTURER'S SPECIFICATIONS	DINING AND SALES	RE: INTERIOR ELEVATIONS

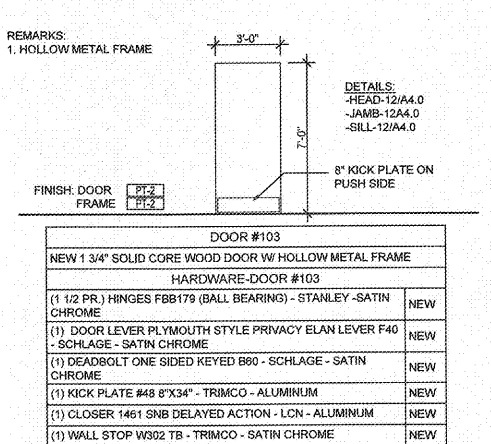
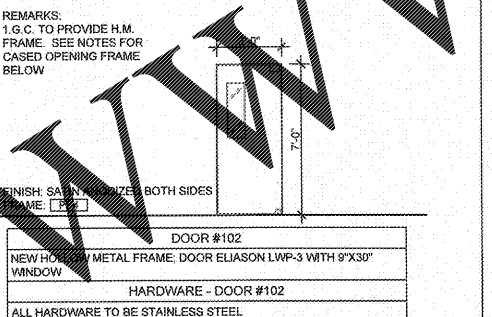
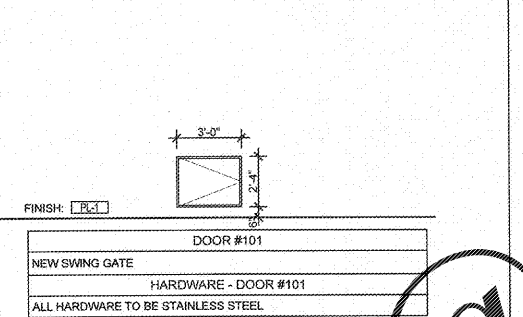
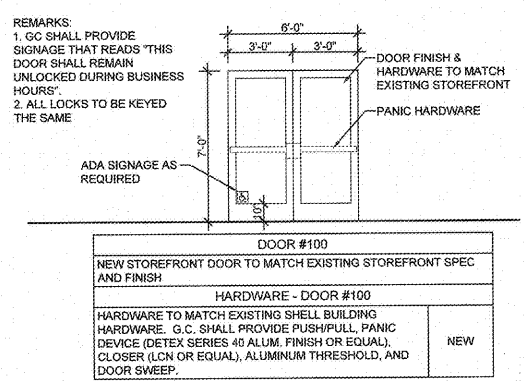
GENERAL NOTES

THE G.C. WILL BE RESPONSIBLE FOR NEATLY CAULKING THE FOLLOWING LOCATIONS:
 -ALL EXTERIOR WINDOWS TO INTERIOR WOOD TRIM.
 -ALL WALLCOVERING TO WOOD TRIM TRANSITIONS.
 -ALL CERAMIC TILE INSIDE CORNERS.
 -ALL DOOR JAMBS TO CERAMIC TILE, WOOD TRIM, OR WALLCOVERING
 -ALL KITCHEN CEILING GRID TO F.R.P.
 -ALL CERAMIC TILE BASE TOP GROUT JOINT.
 -ALL BATHROOM ACCESSORIES TO WALL SURFACE.
 -ALL WOOD TRIM TO WAINSCOT
 *WHERE APPLICABLE, CAULK SHALL BE PAINTED TO MATCH ADJACENT TRIM.



FINISH SCHEDULE
NOT TO SCALE

1



NEW ENTRY DOOR ELEVATION AND HARDWARE 1/4"=1'-0"

100

HALF ELIASON DOOR ELEVATION AND HARDWARE 1/4"=1'-0"

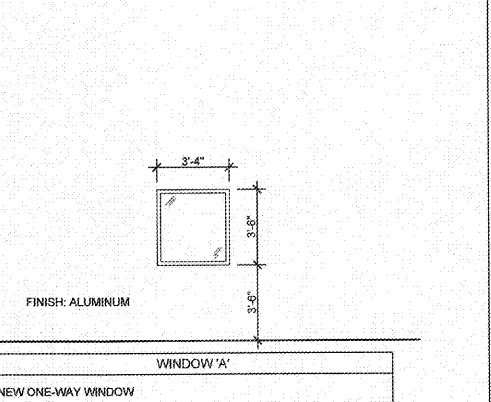
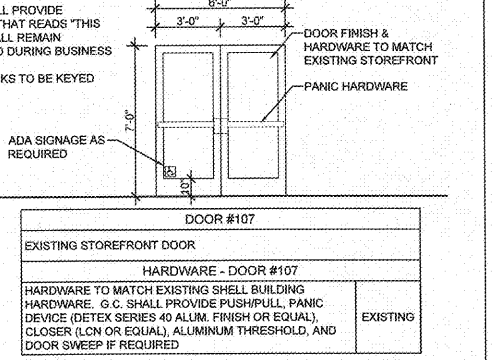
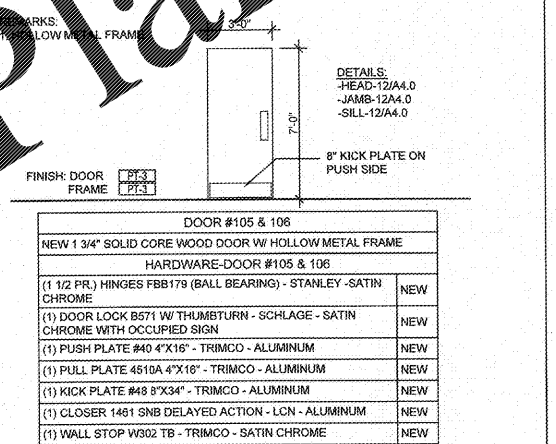
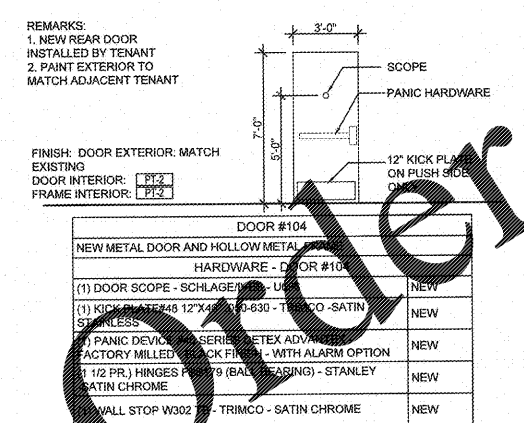
101

ELIASON DOOR ELEVATION AND HARDWARE 1/4"=1'-0"

102

OFFICE DOOR ELEVATION AND HARDWARE 1/4"=1'-0"

103



REAR DOOR ELEVATION AND HARDWARE 1/4"=1'-0"

104

RESTROOM DOOR ELEVATION AND HARDWARE 1/4"=1'-0"

105 106

EXISTING ENTRY DOOR ELEVATION AND HARDWARE 1/4"=1'-0"

107

WINDOW ELEVATION 1/4"=1'-0"

A

ABACOA TOWN CENTER
 1209 MAIN STREET
 UNIT 116
 JUPITER, FLORIDA

REVISIONS:

PROJECT NUMBER: 17-596
 DATE: 10-24-2017

FINISH, DOOR, AND WINDOW SCHEDULE

A5.0