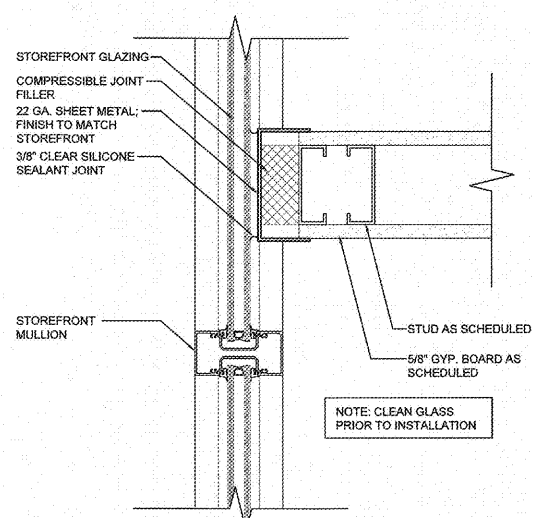


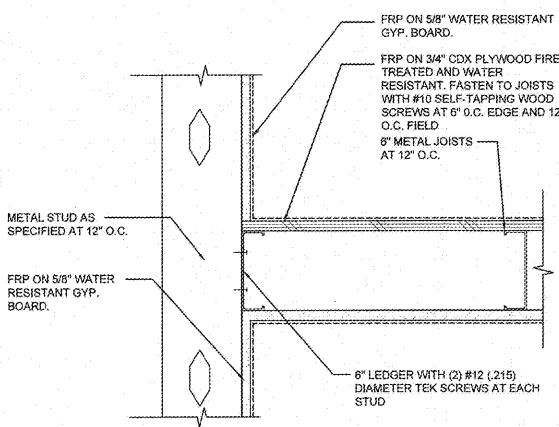
LOW WALL DETAIL  
1 1/2"-1'-0" 1



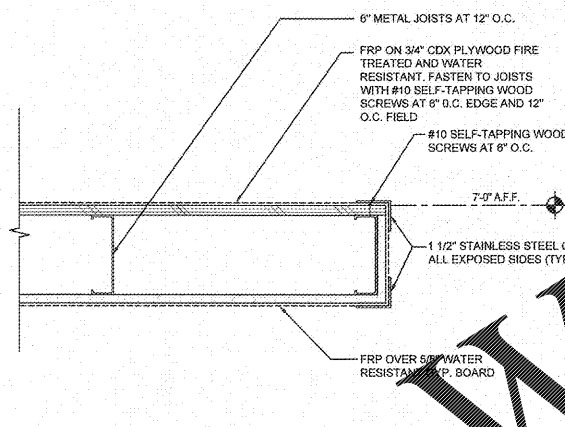
TYPICAL WALL CAP DETAIL AT STOREFRONT  
3'-1'-0" 2

NOT USED  
N.T.S.

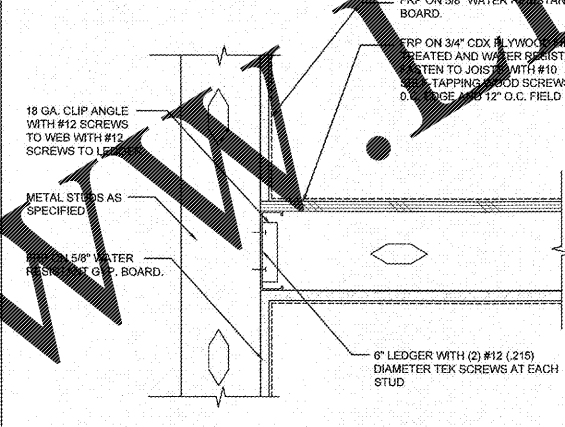
NOT USED  
1'-1'-0" 4



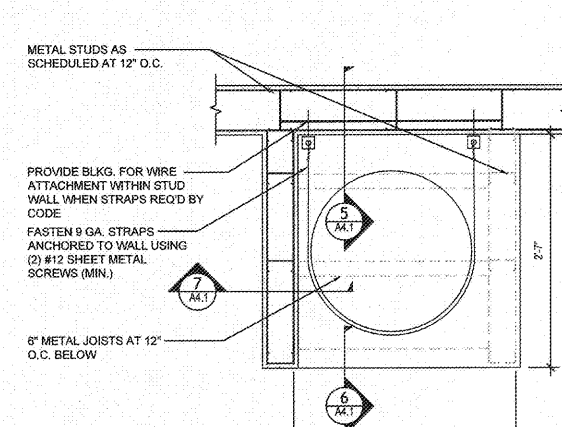
WATER HEATER PLATFORM DETAIL  
3'-1'-0" 5



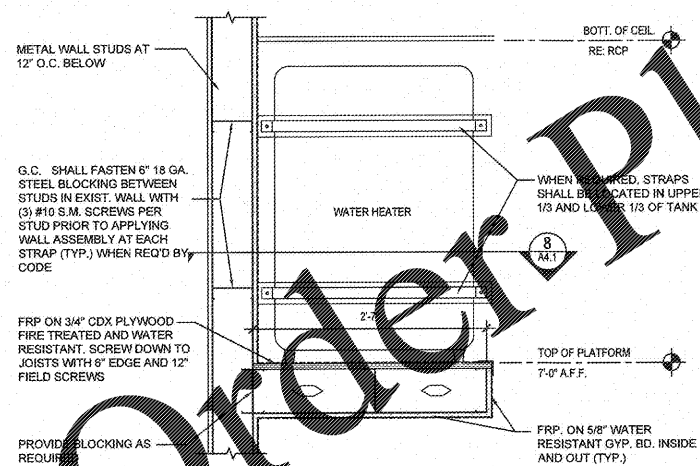
WATER HEATER PLATFORM DETAIL  
3'-1'-0" 6



WATER HEATER PLATFORM DETAIL  
3'-1'-0" 7

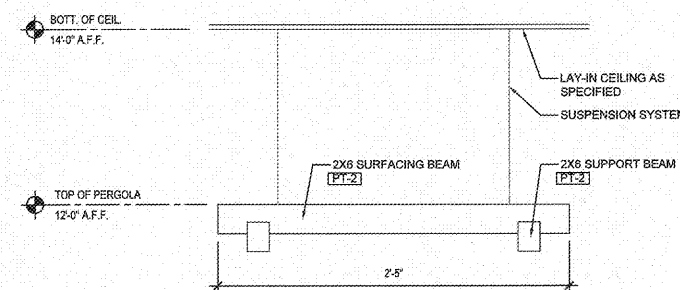


WATER HEATER PLATFORM DETAIL  
1'-1'-0" 8

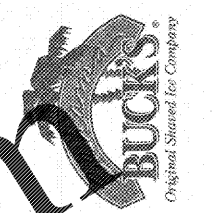


WATER HEATER PLATFORM DETAIL  
1'-1'-0" 9

NOT USED  
10



PERGOLA DETAIL  
1'-1'-0" 11



THE DIMENSION GROUP



12/1/2017

ABACOA TOWN CENTER  
1209 MAIN STREET  
UNIT 116  
JUPITER, FLORIDA

REVISIONS:


PROJECT NUMBER: 17-598

DATE: 10-24-2017

DETAILS

A4.1

Order Plans @ WWW.DIline.com