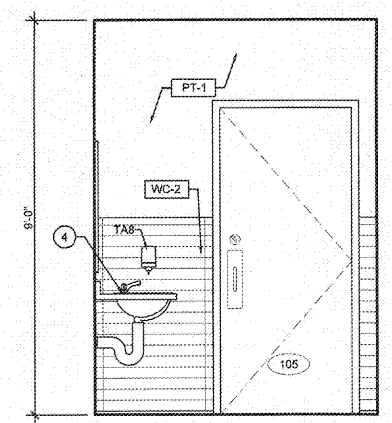
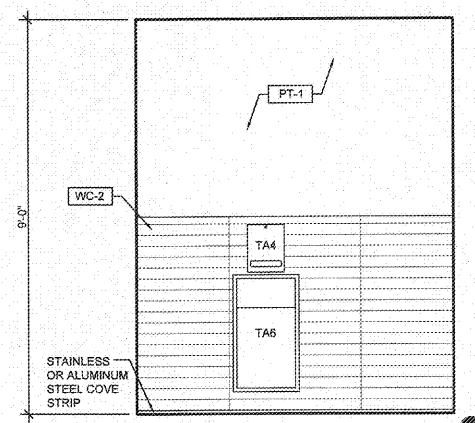


** NOTE: ALL DIMENSIONS ARE FROM FINISH FACE

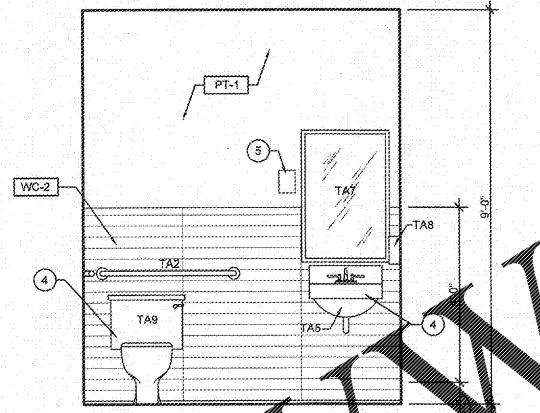
ENLARGED RESTROOM PLAN 1/2"=1'-0" 1



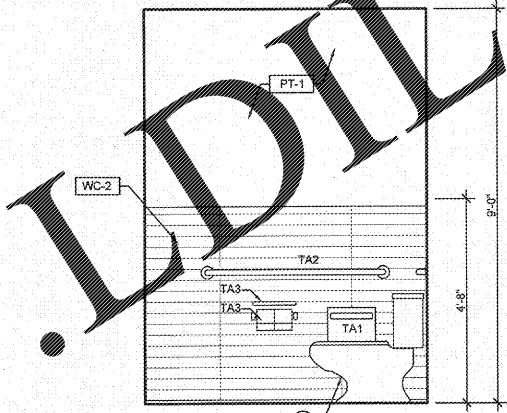
RESTROOM ELEVATION 1/2"=1'-0" 2



RESTROOM ELEVATION 1/2"=1'-0" 3



RESTROOM ELEVATION 1/2"=1'-0" 4

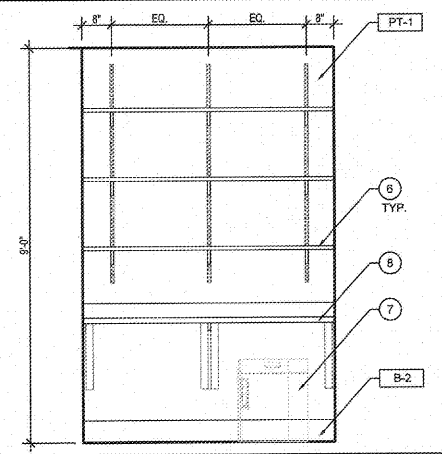


RESTROOM ELEVATION 1/2"=1'-0" 5

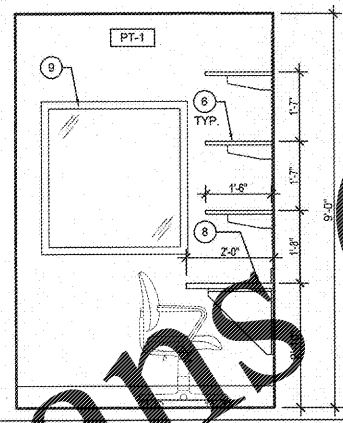
- GENERAL NOTES**
- PROVIDE BLOCKING FOR ALL WALL MOUNTED EQUIPMENT. RE: 8/A1.6
 - REFER TO PLUMBING DRAWINGS FOR SPECS OF ALL WATER CLOSETS, LAVATORIES AND URINALS.
 - ALL EXPOSED PIPING TO BE INSULATED AS PER ADA REQUIREMENTS.
 - REFER TO SHEETS AR.1 & AR.2 FOR ALL MOUNTING AND DIMENSIONING FOR CODE REQUIREMENTS.
- KEYED NOTES**
- INTERNATIONAL SYMBOL OF ACCESSIBILITY SIGN. SEE ADA DETAILS BELOW
 - DASHED LINE INDICATES ADA CLEAR SPACE
 - FLOOR DRAIN. RE: PLUMBING
 - REFER TO PLUMBING FOR ALL FIXTURE SELECTIONS
 - "WASH YOUR HANDS" SIGN. PROVIDED AND INSTALLED BY G.C.
 - WHITE MIRROR ADJUSTABLE
 - SAFETY FIELD
 - ADMIN. OFFICE COUNTERTOP
 - GLASSWAY WINDOW. RE: WINDOW SCHEDULE

TOILET ACCESSORY SCHEDULE

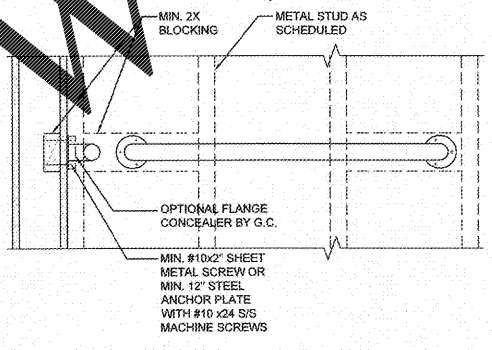
TAG/ITEM	DESCRIPTION
TA1	TOILET SEAT COVER BOBRICK, MODEL: B-221
TA2	GRAB BARS BOBRICK, MODEL: B-5806
TA3	TOILET PAPER DISPENSER AND UTILITY SHELF BOBRICK, MODEL: B-2840
TA4	PAPER TOWEL DISPENSER BOBRICK, MODEL: B262- PROVIDED BY BBFC
TA5	LAVATORY WALL MOUNTED (ADA) COMPLIANT, SEE PLUMBING FIXTURE SCHEDULES. BOBRICK, MODEL: B-3844 MAX 4" PROJECTION FROM WALL
TA6	TRASH RECEPTACLE BOBRICK, MODEL: B-165
TA7	MIRROR BOBRICK, MODEL: B-4112- PROVIDED BY BBFC
TA8	SOAP DISPENSER FLOOR MOUNTED (ADA) COMPLIANT, SEE PLUMBING FIXTURE SCHEDULES.
TA9	WATER CLOSET



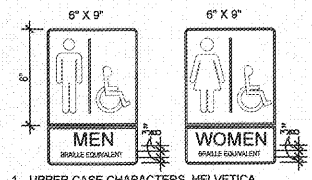
OFFICE ELEVATION 6



OFFICE ELEVATION 7



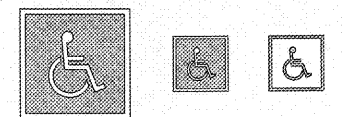
TYP. BLOCKING DETAIL 1/2"=1'-0" 8



TYP. SIGNAGE DETAIL NTS 9

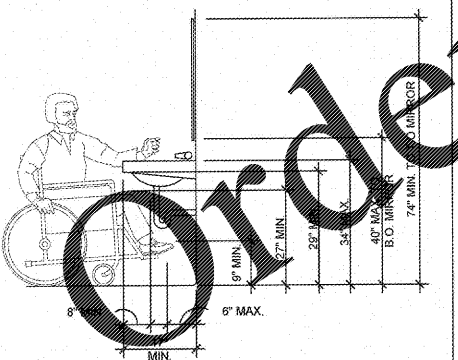
SIGNAGE NOTES

- SIGNAGE AND SYMBOLS SHALL COMPLY WITH THE 2010 ADA STANDARDS FOR ACCESSIBLE DESIGN, EFFECTIVE SEPTEMBER 15, 2010.
- REFER TO SECTION 703 FOR ADA REQUIREMENTS FOR: RAISED CHARACTERS, DEPTH, CASE, STYLE, PROPORTIONS, HEIGHT, STROKE THICKNESS, CHARACTER SPACING, LINE SPACING, DIMENSIONS, CAPITALIZATION AND BRAILLE.
- REFER TO SECTION 703.4 FOR SIGNAGE INSTALLATION REQUIREMENTS AND THIS SHEET.
- WHERE PERMANENT IDENTIFICATION IS PROVIDED FOR ROOMS AND SPACES, SIGNS SHALL BE INSTALLED ON THE WALL ADJACENT TO THE LATCH SIDE OF THE DOOR.
- WHERE THERE IS NO WALL SPACE TO THE LATCH SIDE OF THE DOOR, INCLUDING AT DOUBLE-LEAF DOORS, SIGNS SHALL BE PLACED ON THE NEAREST ADJACENT WALL.
- MOUNTING HEIGHT SHALL BE 60" ABOVE THE FINISHED FLOOR TO THE CENTERLINE OF THE SIGN.
- MOUNTING LOCATION FOR SUCH SIGNAGE SHALL BE SO THAT A PERSON MAY APPROACH WITHIN 3" OF SIGNAGE WITHOUT ENCOUNTERING PROTRUDING OBJECTS OR STANDING WITHIN THE SWING OF A DOOR.

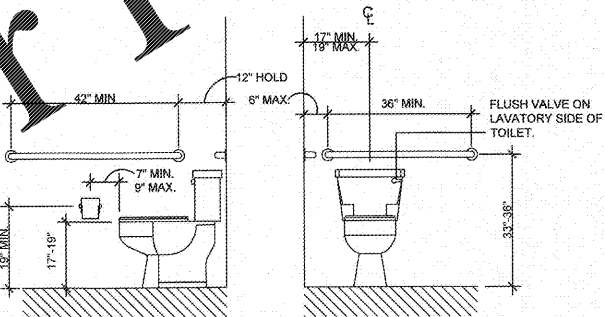


INTERNATIONAL SYMBOL OF ACCESSIBILITY

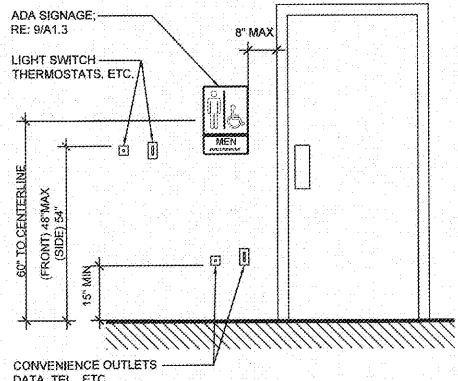
ADA SIGN DETAILS



LAVATORY CLEARANCES



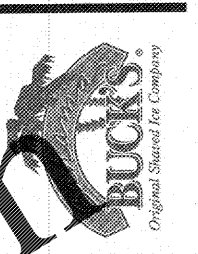
ACCESSIBLE WATER CLOSETS



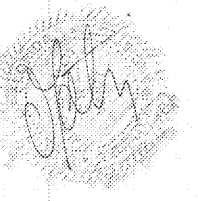
ADA SIGNAGE DETAIL

FINISH SCHEDULE

FLOOR	
F-3	VINTAGE CHIC
INTERIOR PAINT	
PT-1	CORAL
WALLS	
WC-2	3X36 PORCELAIN TILE



THE DIMENSION GROUP



12/1/2017

ABACOA TOWN CENTER
1209 MAIN STREET
UNIT 116
JUPITER, FLORIDA

REVISIONS:

PROJECT NUMBER: 17-598

DATE: 10-24-2017

ENLARGED FLOOR PLAN AND ELEVATIONS

A1.6