

DUCT INSULATION SCHEDULE					
IDENTIFICATION	CONDUIT	USE	INSULATION TYPE & VAPOR BARRIER	THICKNESS	JACKET
FRESH AIR CONCEALED	ROUND / OVAL	UP TO THE MIXING BOX / COIL	MICROLITE 75 TYPE C/W VAPOR BARRIER FSK	2"	NONE
	RECTANGULAR	UP TO THE MIXING BOX / COIL	SPIN GLAS MODEL 813 C/W VAPOR BARRIER FSK	2 x 1"	NONE
FRESH AIR EXPOSED	ROUND / OVAL	UP TO THE MIXING BOX / COIL	MICROLITE 75 TYPE C/W VAPOR BARRIER FSK	2"	CANEVAS
	RECTANGULAR	UP TO THE MIXING BOX / COIL	SPIN GLAS MODEL 813 C/W VAPOR BARRIER FSK	2 x 1"	CANEVAS
EXHAUST CONCEALED	ROUND / OVAL	10'-0" FROM OUTSIDE	MICROLITE 75 TYPE C/W VAPOR BARRIER FSK	2"	NONE
	RECTANGULAR	10'-0" FROM OUTSIDE	SPIN GLAS MODEL 813 C/W VAPOR BARRIER FSK	2 x 1"	NONE
CONCEALED SUPPLY	ROUND / OVAL	FULL LENGTH INCLUDING PLENUM BOX	MICROLITE 75 TYPE C/W VAPOR BARRIER FSK	1-1/2"	NONE
	RECTANGULAR	FULL LENGTH INCLUDING PLENUM BOX	SPIN GLAS MODEL 813 C/W VAPOR BARRIER FSK	1"	NONE
EXPOSED SUPPLY	ROUND / OVAL	FULL LENGTH INCLUDING PLENUM BOX	MICROLITE 75 TYPE FIRST 10'-0" INTERNALLY INSULATED	1"	NONE
RETURN CONCEALED/EXPOSED	RECTANGULAR	FULL LENGTH INCLUDING PLENUM BOX	SPIN GLAS MODEL 813 C/W VAPOR BARRIER FSK	1"	NONE

NOTES:
 CONCEALED : DUCTS ABOVE CEILING, IN SHAFTS, IN WALLS OR FLOOR.
 EXPOSED : ELEMENTS NOT CONCEALED.

ALL MATERIALS EXPOSED WITHIN THE PLENUM SHALL COMPLY WITH THE CALIFORNIA MECHANICAL CODE SECTION 704.2.1. MATERIALS SHALL HAVE MOLD, HUMIDITY, AND EROSION-RESISTANT FACE THAT MEETS THE REQUIREMENTS OF UL 181.

COMBUSTIBLES WITHIN PLENUM SPACE MUST COMPLY WITH CALIFORNIA MECHANICAL CODE SECTION 704.2.2. FLAME SPREAD INDEX OF NOT MORE THAN 25 AND A SMOKE DEVELOPED RATING OF NOT MORE THAN 45.

CMA
 architecture • planning • interior design
 C.M. ARCHITECTURE, P.A.
 A PROFESSIONAL ARCHITECTURAL CORPORATION
 800 WASHINGTON AVENUE, SUITE 208
 MINNEAPOLIS, MN 55401-3848
 PHONE: (612) 547-1100
 FAX: (612) 547-1101
 CONTACT: KELL GIVENS
 k.givens@cma-arch.com

CONSULTANTS:

Edifica | case
 engineering
 300 E. Hennepin Avenue, Suite 300
 Minneapolis, MN 55401
 Phone: 612.547.1100
 Fax: 612.547.1101
 www.edificacase.com
 LICENSED PROFESSIONAL ENGINEER
 STATE OF MINNESOTA
 LICENSE NO. 000159

SEAL:

DARREL R. CASE
 SIGNATURE: _____
 DATE ISSUED: _____
 REG. NO. 6140

TORRID

ACADIANA MALL
 5725 JOHNSTON STREET
 LAFAYETTE, LA
 70503
 SPACE #B-115
 NEW MALL A

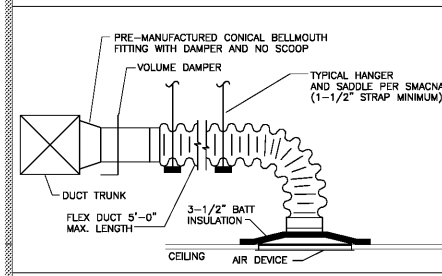
SHEET TITLE:
MECHANICAL DETAILS

REVISIONS:

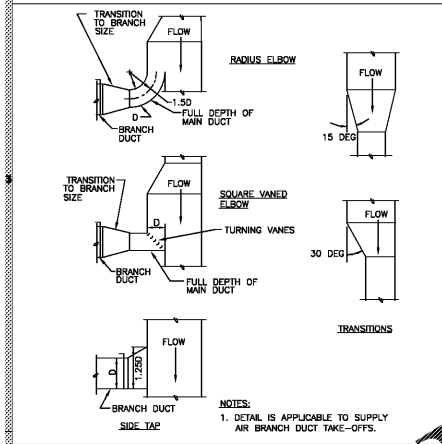
NO.	DATE:	BY:

PROJECT NO: 17127.044
 DRAWN BY: 52V

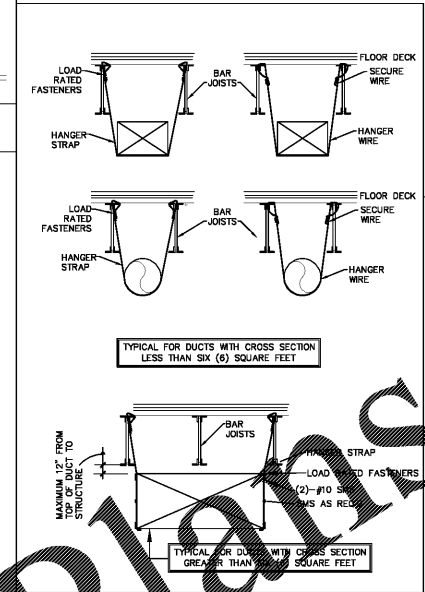
M2



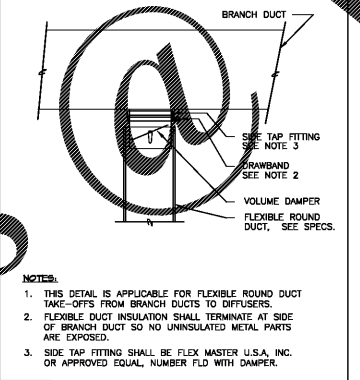
TYPICAL FLEXIBLE DUCT TAKE-OFF
 NO SCALE



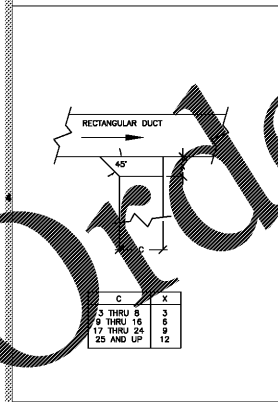
BRANCH DUCT TAKEOFFS AND TRANSITIONS
 NO SCALE



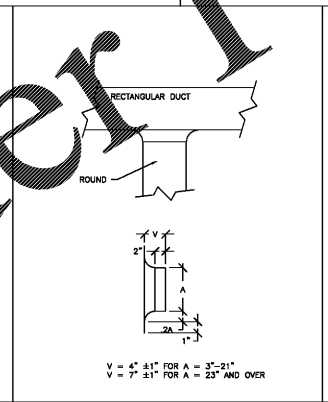
DUCT SUPPORT DETAILS
 NO SCALE



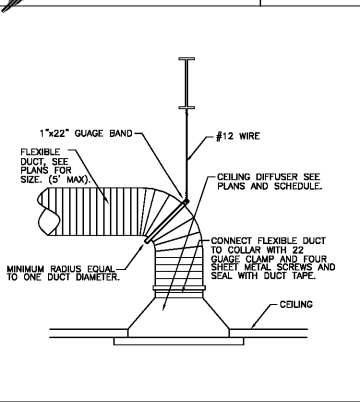
FLEXIBLE DUCT CONNECTION TO BRANCH
 NO SCALE



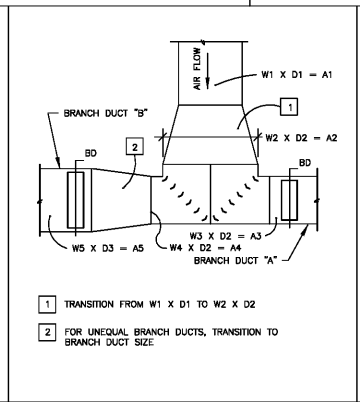
RECTANGULAR TAP DETAIL
 SCALE: NONE



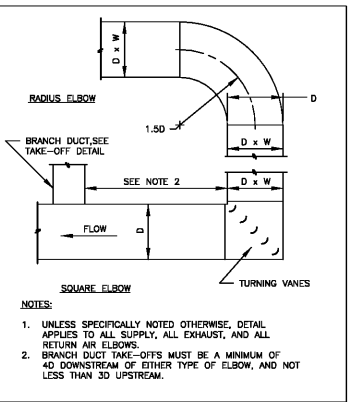
BELLMOUTH TAP DETAIL
 SCALE: NONE



DIFFUSER INSTALLATION DETAIL
 NOT TO SCALE



DUCT TEE FITTING
 NO SCALE



DUCT ELBOW
 NO SCALE

WWW.LDILINE.COM

Order Plans